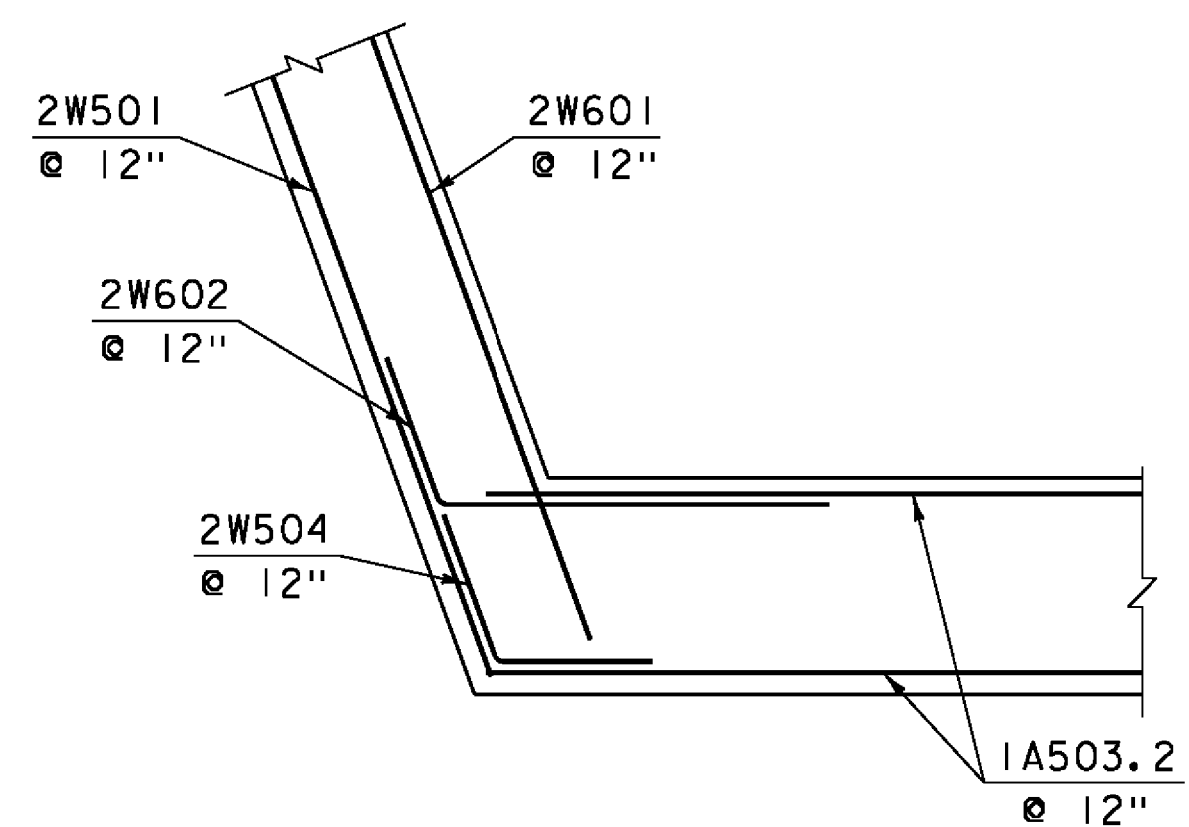


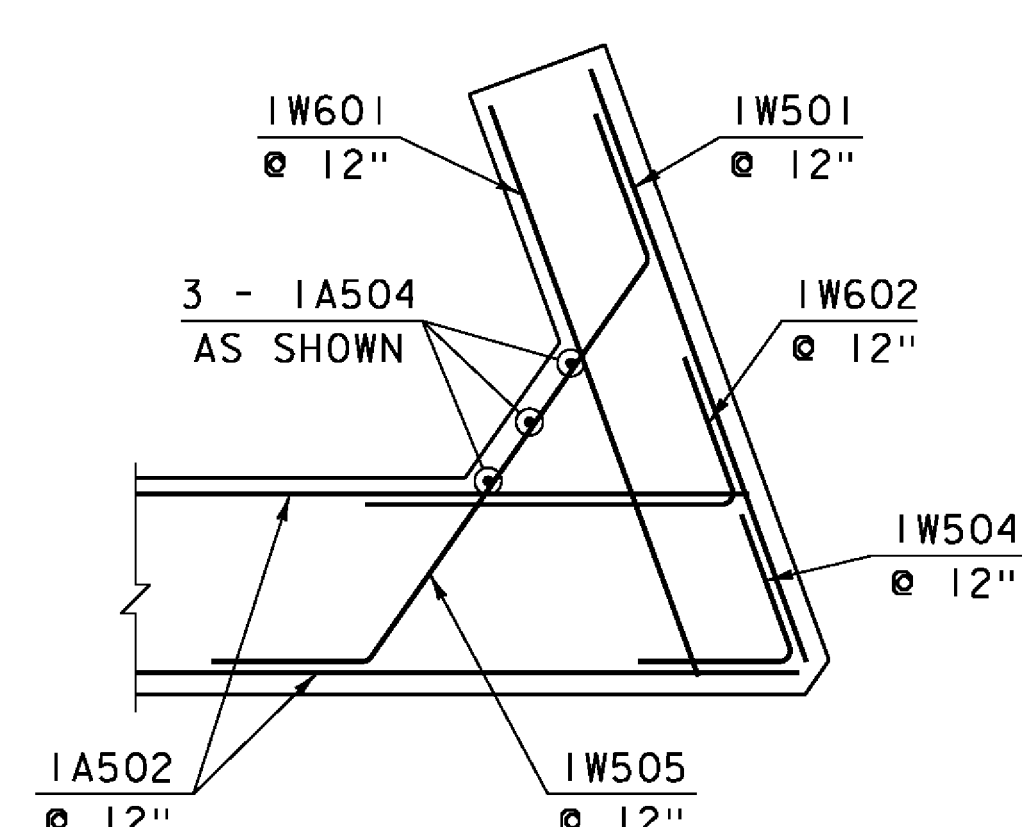
**WINGWALL NO. 2 CORNER
REINFORCING BELOW
CONSTRUCTION JOINT**

SCALE: 3/8" = 1'-0"
(WINGWALL 3 SIMILAR)



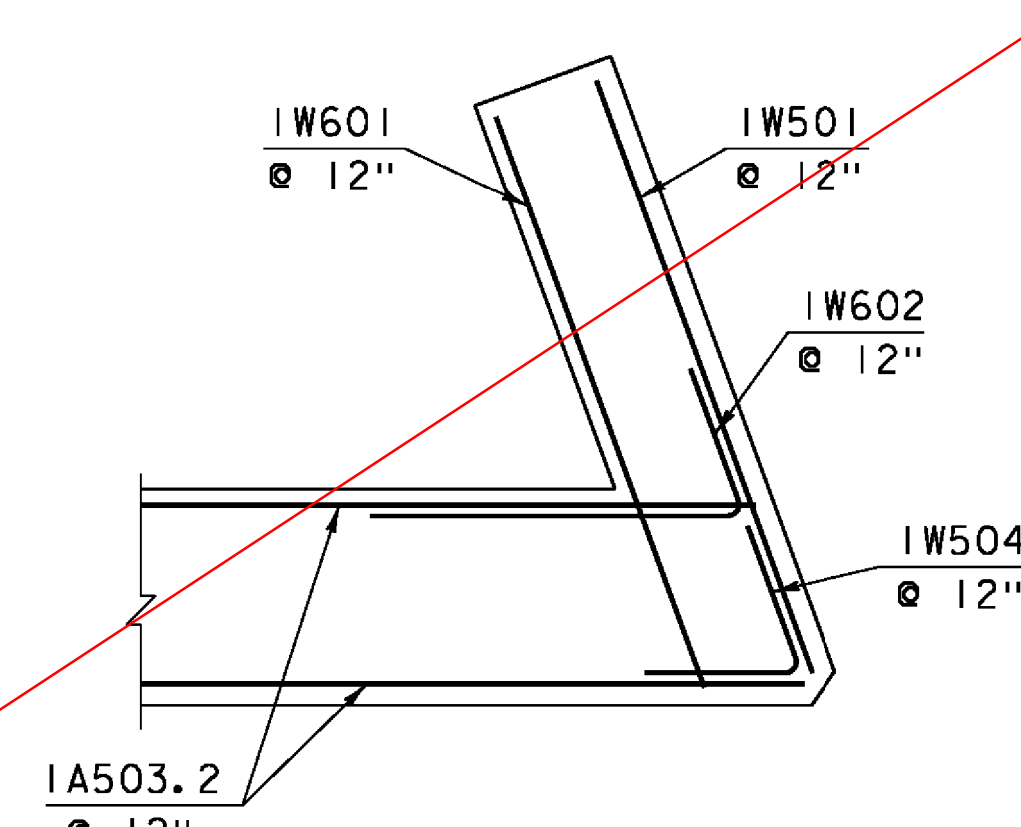
**WINGWALL NO. 2 CORNER
REINFORCING ABOVE
CONSTRUCTION JOINT**

SCALE: 3/8" = 1'-0"
(WINGWALL 3 SIMILAR)



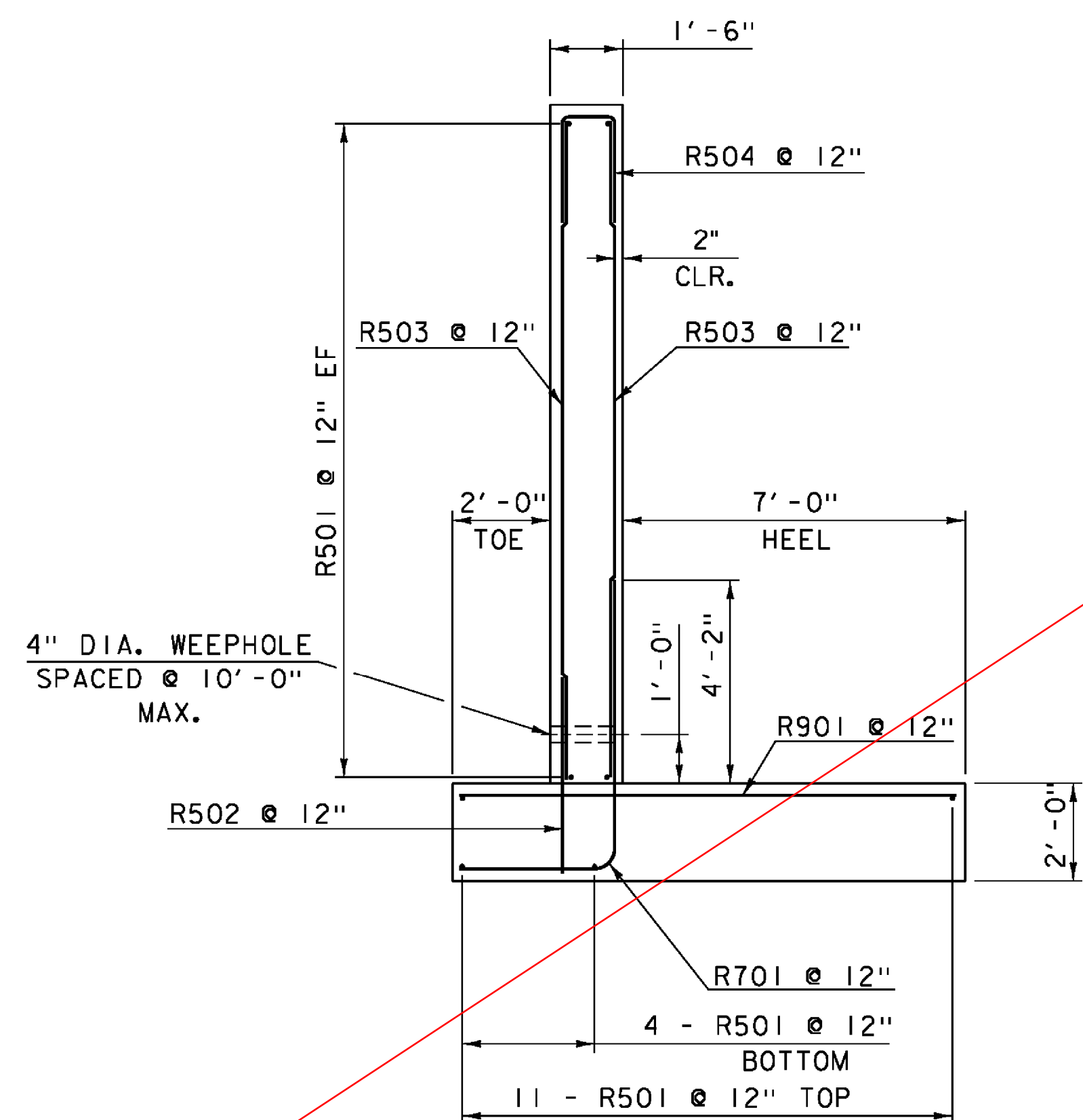
**WINGWALL NO. 1 CORNER
REINFORCING BELOW
CONSTRUCTION JOINT**

SCALE: 3/8" = 1'-0"
(WINGWALL 4 SIMILAR)



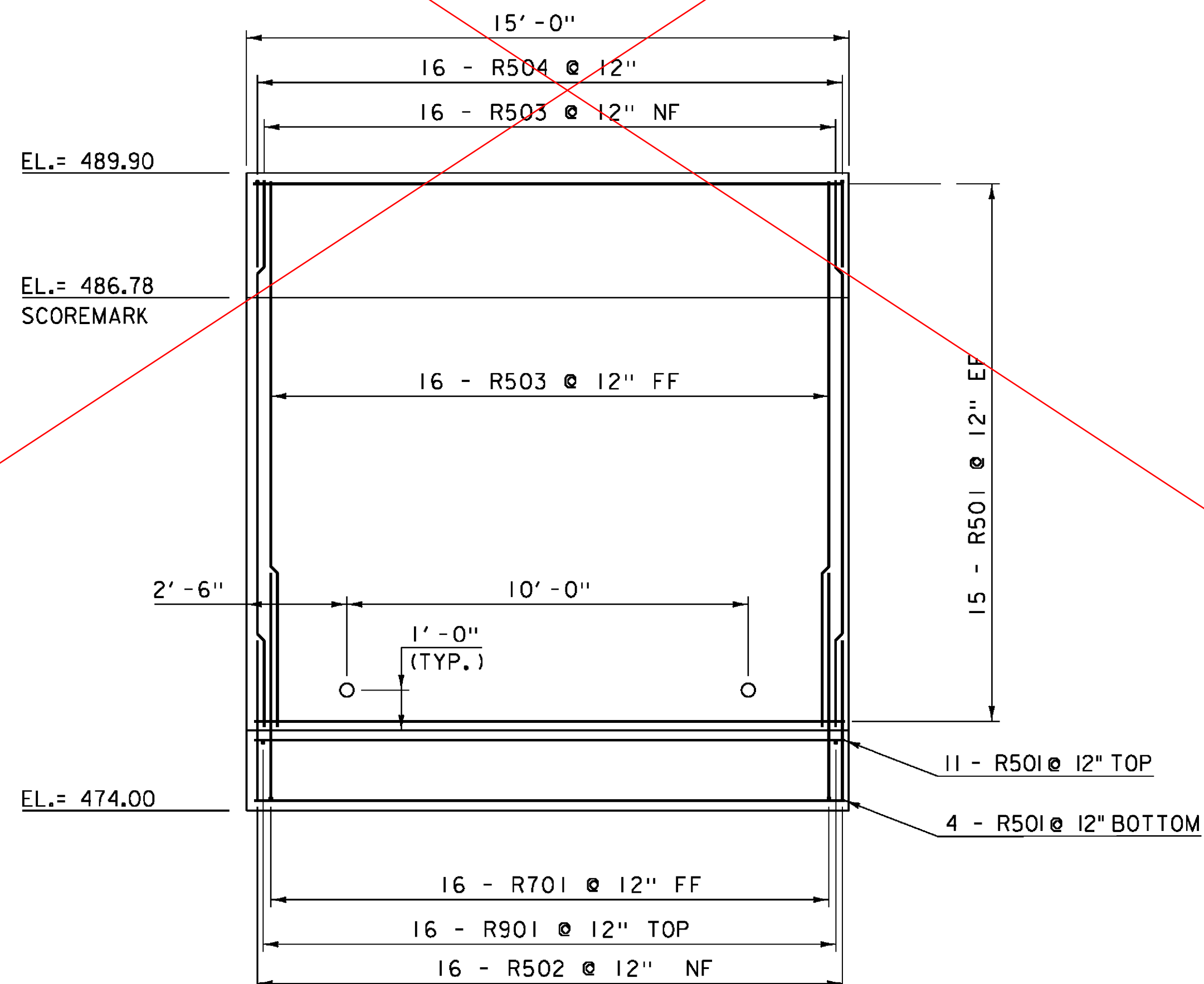
**WINGWALL NO. 1 CORNER
REINFORCING ABOVE
CONSTRUCTION JOINT**

SCALE: 3/8" = 1'-0"
(WINGWALL 4 SIMILAR)



RETAINING WALL TYPICAL

SCALE: 3/8" = 1'-0"



RETAINING WALL ELEVATION

SCALE: 3/8" = 1'-0"

NOTE: 1/2" EXPANSION MATERIAL SHALL BE PLACED BETWEEN WINGWALL #2 AND THE RETAINING WALL. IN ADDITION, 2 LAYERS OF GEOTEXTILE FABRIC SHALL BE PLACED OVER THE JOINT ON THE BACK (EARTH) SIDE.

NOTE:

- NF = NEAR FACE
- FF = FAR FACE
- EF = EACH FACE
- ▲ = CUT TO FIT IN FIELD
- 3" CLEAR, UNLESS OTHERWISE SPECIFIED ON THE PLANS.
- 2'-2" BAR LAP UNLESS OTHERWISE SPECIFIED ON THE PLANS.

SEE REVISION: OCT-28-2014

PROJECT NAME: JOHNSON
PROJECT NUMBER: BRF 030-2(26)

FILE NAME: s88bi93sub.dgn PLOT DATE: 10-JUN-2014
PROJECT LEADER: C. CARLSON DRAWN BY: G. ROKES
DESIGNED BY: H. SALLS CHECKED BY: H. SALLS
RETAINING WALL ELEVATION AND TYPICAL SECTION SHEET 37 OF 69