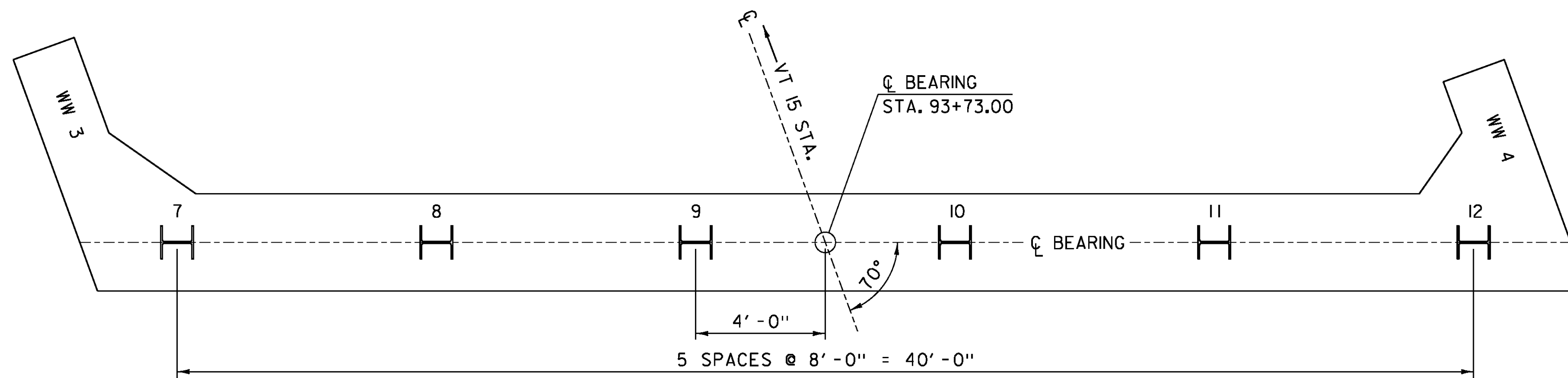


ABUTMENT #1 PILE LAYOUT

SCALE: 3/8" = 1'-0"



ABUTMENT #2 PILE LAYOUT

SCALE: 3/8" = 1'-0"

NOTE:
SEE STRUCTURES DETAIL SD-601.00
FOR PILE SPLICE DETAIL.

PROJECT NAME: JOHNSON	PLOT DATE: 10-JUN-2014
PROJECT NUMBER: BRF 030-2(26)	DRAWN BY: G. ROKES
FILE NAME: s88bl93sub.dgn	CHECKED BY: H. SALLS
PROJECT LEADER: C. CARLSON	SHEET 36 OF 69
DESIGNED BY: H. SALLS	
ABUTMENT #1 AND #2 PILE LAYOUT	