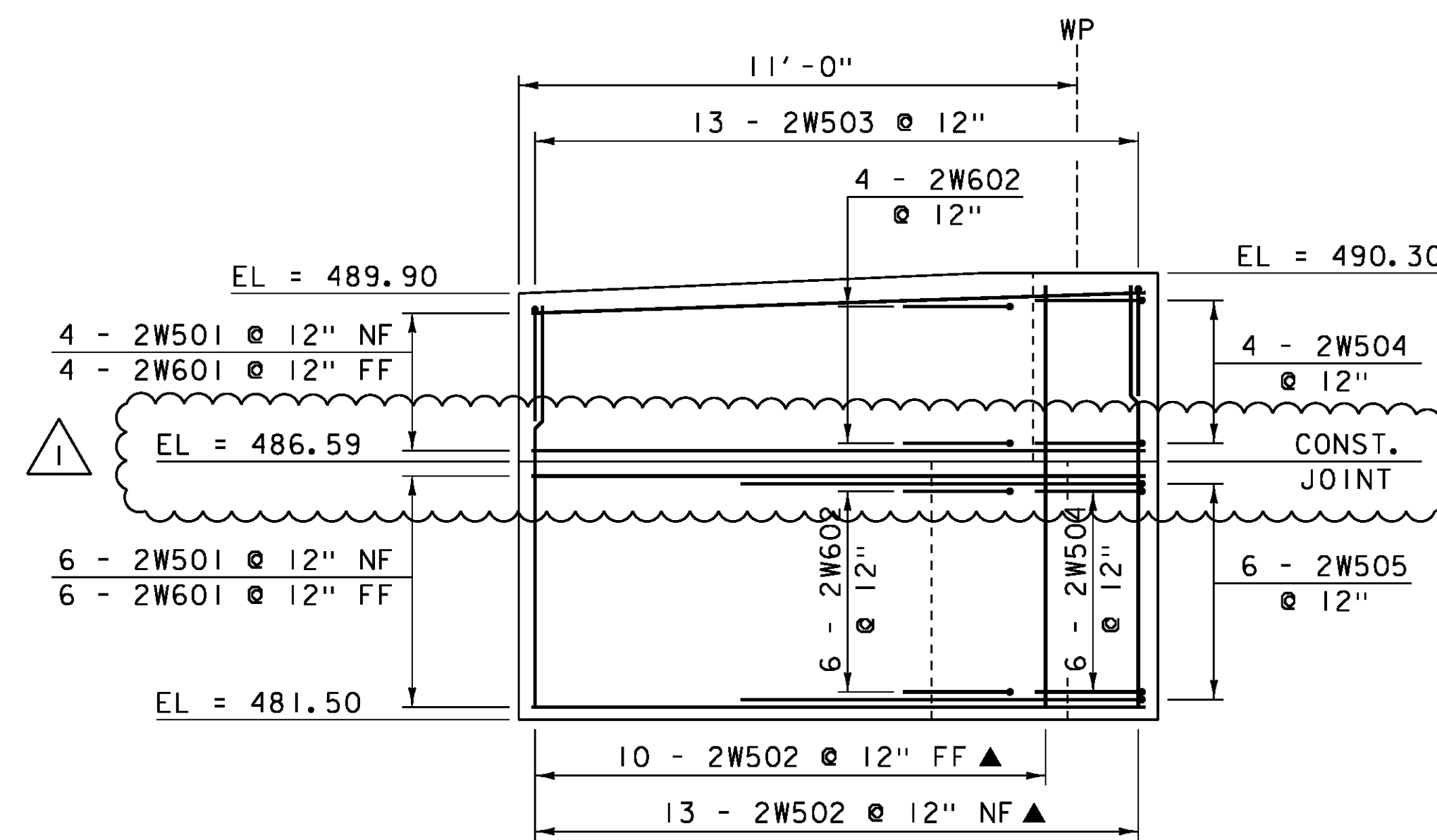


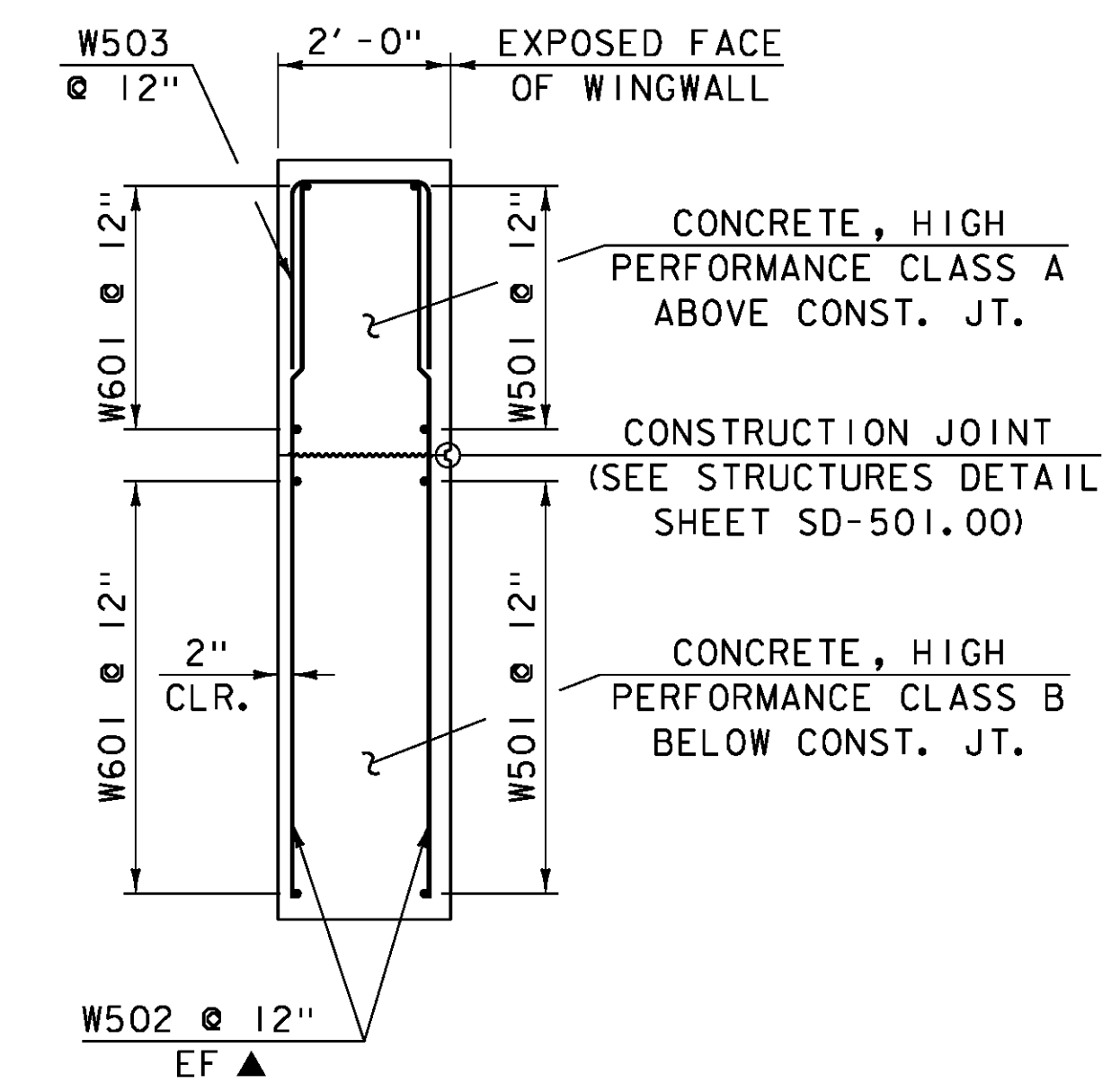
WINGWALL #1 ELEVATION

SCALE: 3/8" = 1'-0"



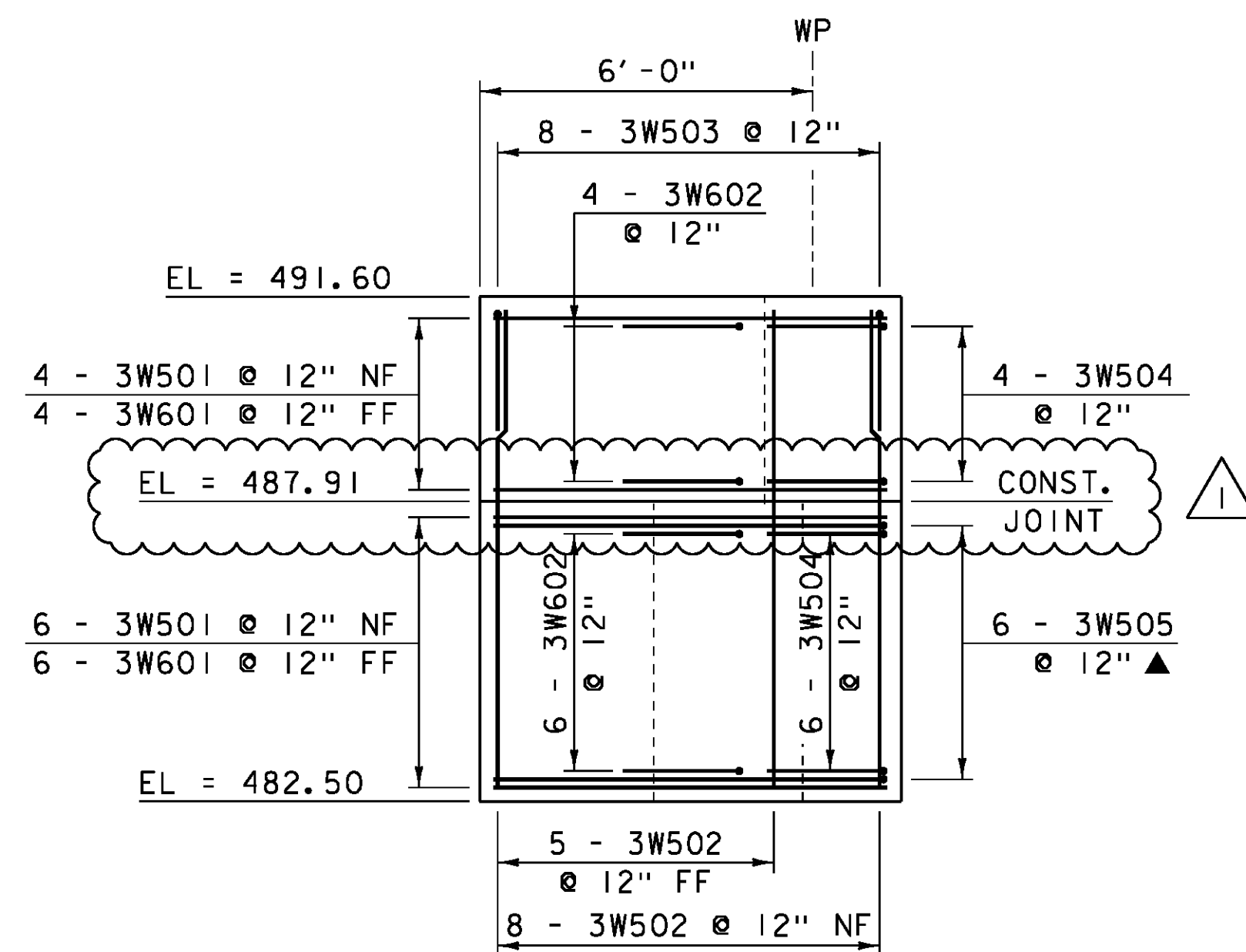
WINGWALL #2 ELEVATION

SCALE: 3/8" = 1'-0"



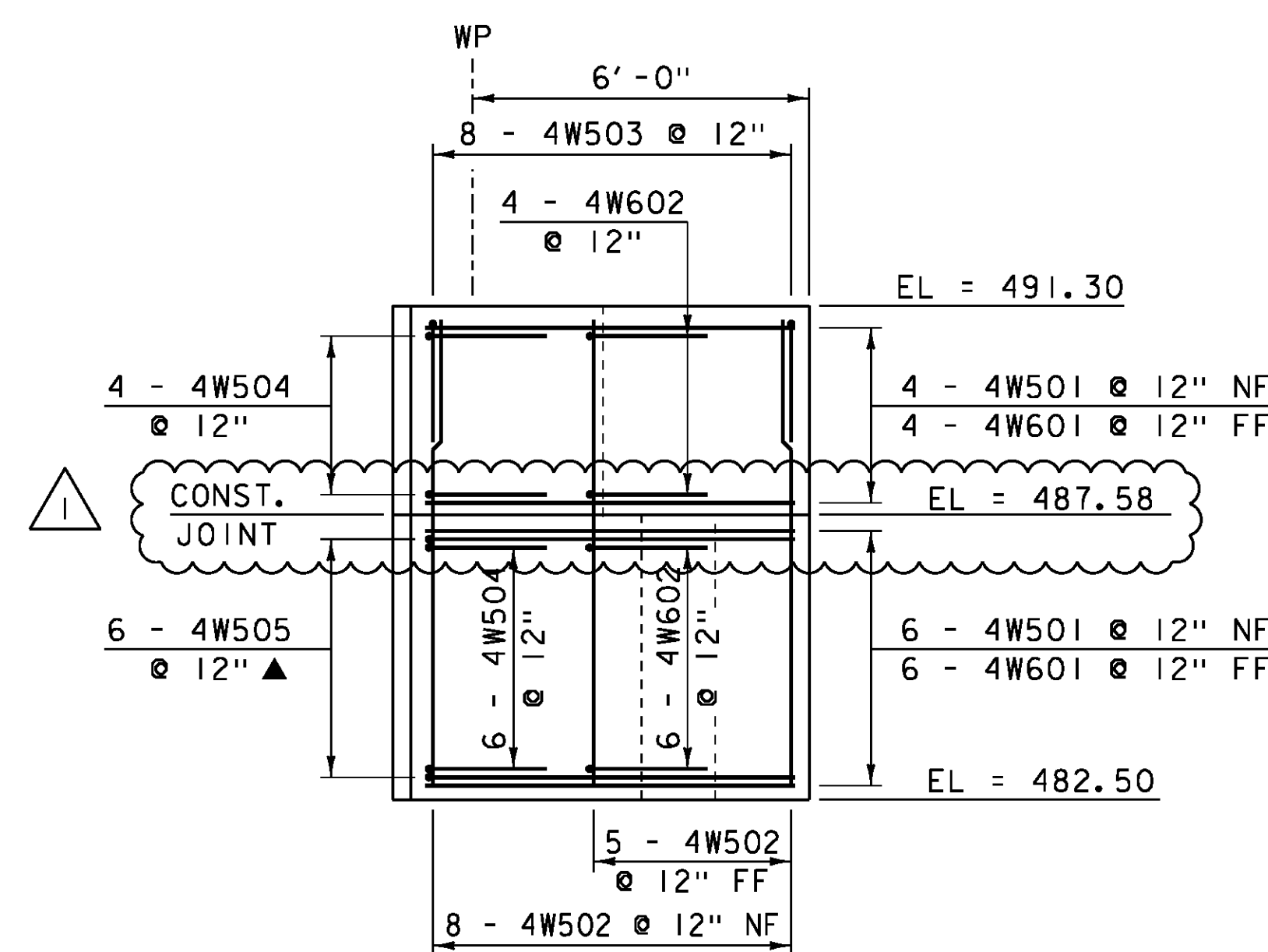
WINGWALL TYPICAL SECTION

SCALE: 1/2" = 1'-0"



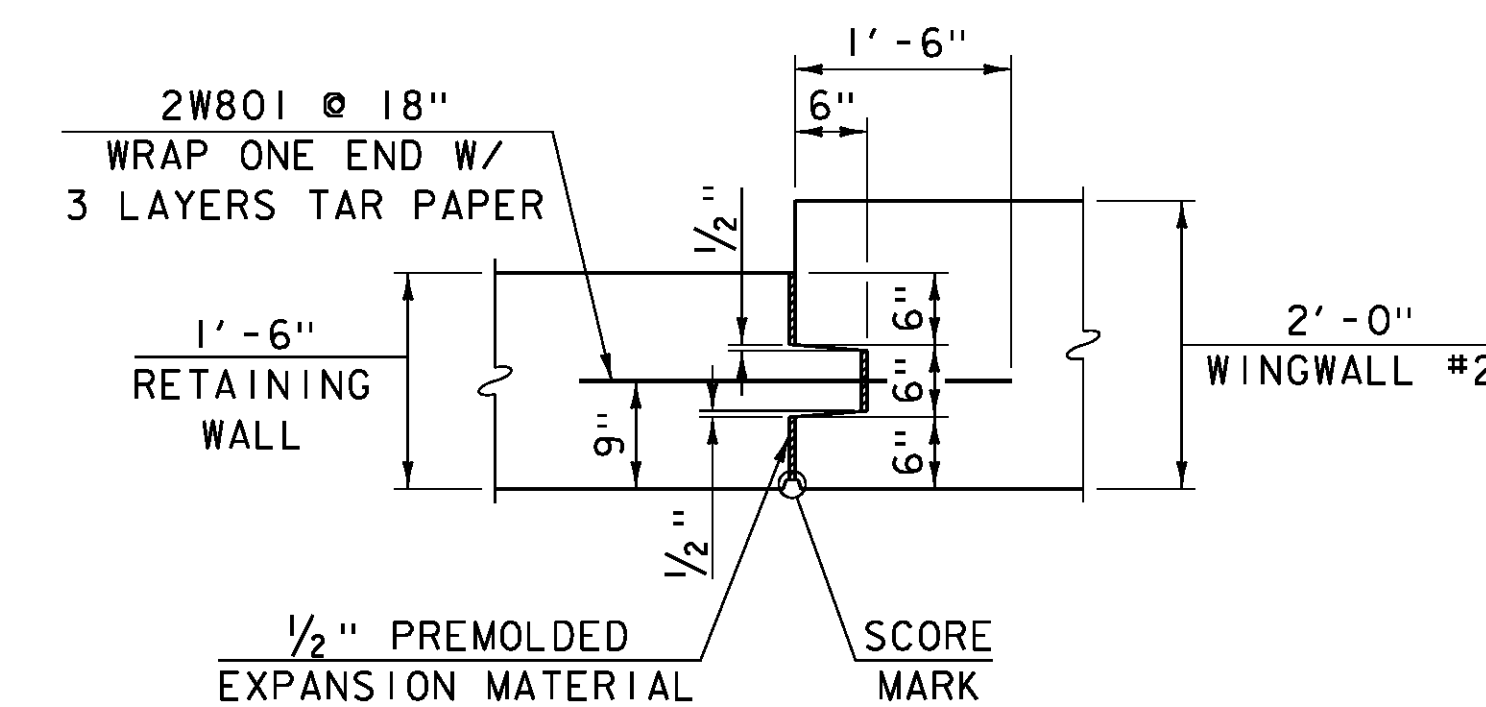
WINGWALL #3 ELEVATION

SCALE: 3/8" = 1'-0"



WINGWALL #4 ELEVATION

SCALE: 3/8" = 1'-0"



CONCRETE EXPANSION JOINT

(BETWEEN RETAINING WALL AND WINGWALL #2)

SCALE: 3/4" = 1'-0"

NOTE:

- NF = NEAR FACE
- FF = FAR FACE
- EF = EACH FACE
- ▲ = CUT TO FIT IN FIELD
- 3" CLEAR, UNLESS OTHERWISE SPECIFIED ON THE PLANS.
- 2'-2" BAR LAP UNLESS OTHERWISE SPECIFIED ON THE PLANS.

REVISION	DATE	DESCRIPTION	BY
1	OCT-28-2014	ADD 3" PAYMENT, LOWER BRIDGE SEAT, ADD 3" CONCRETE PEDESTAL	GNR

PROJECT NAME: JOHNSON
PROJECT NUMBER: BRF 030-2(26)

FILE NAME: s88bl93sub.dgn
PROJECT LEADER: C. CARLSON
DESIGNED BY: H. SALLS
WINGWALL ELEVATIONS AND TYPICAL SECTION SHEET 35 OF 69

PLOT DATE: 05-NOV-2014
DRAWN BY: G. ROKES
CHECKED BY: H. SALLS