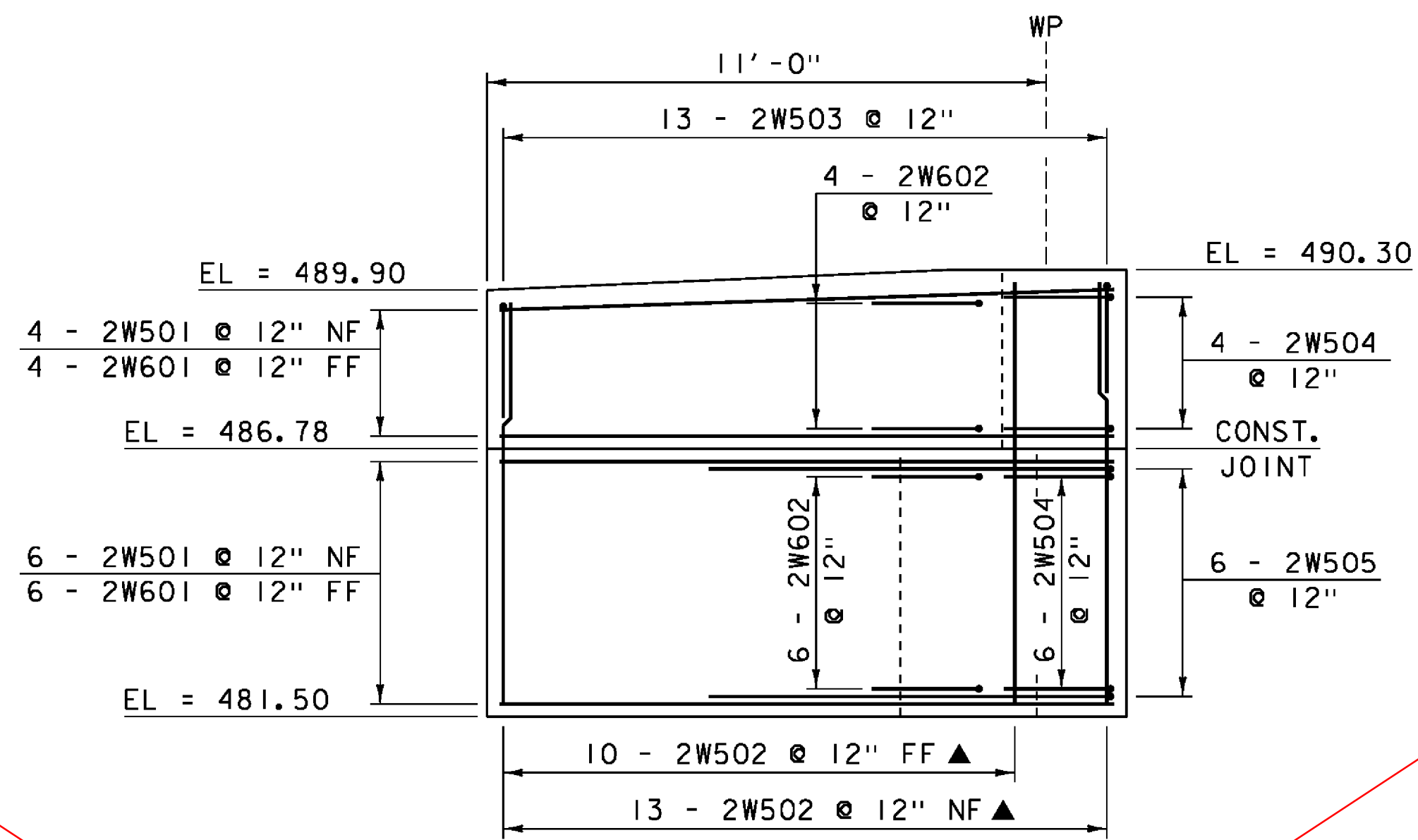
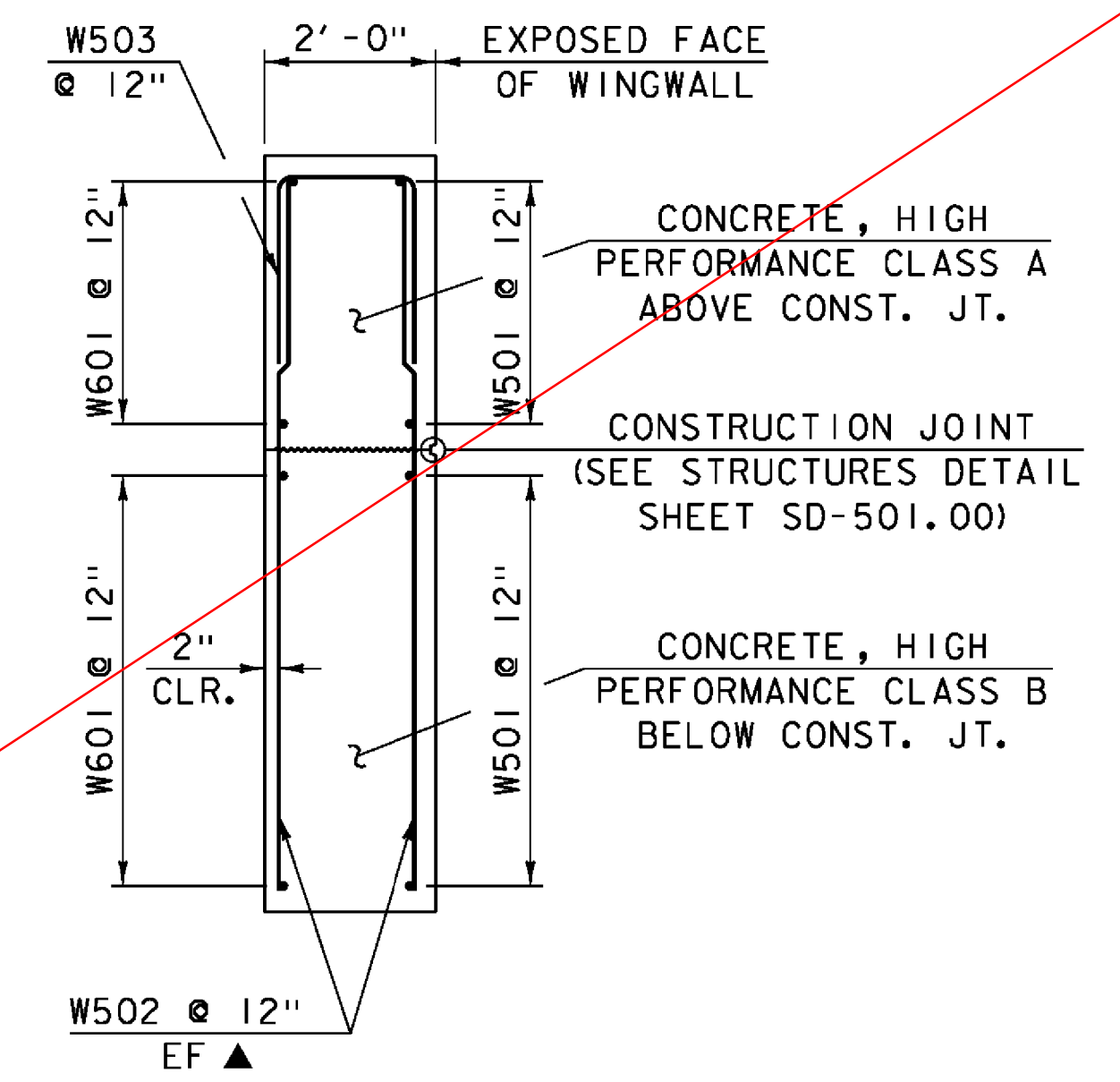


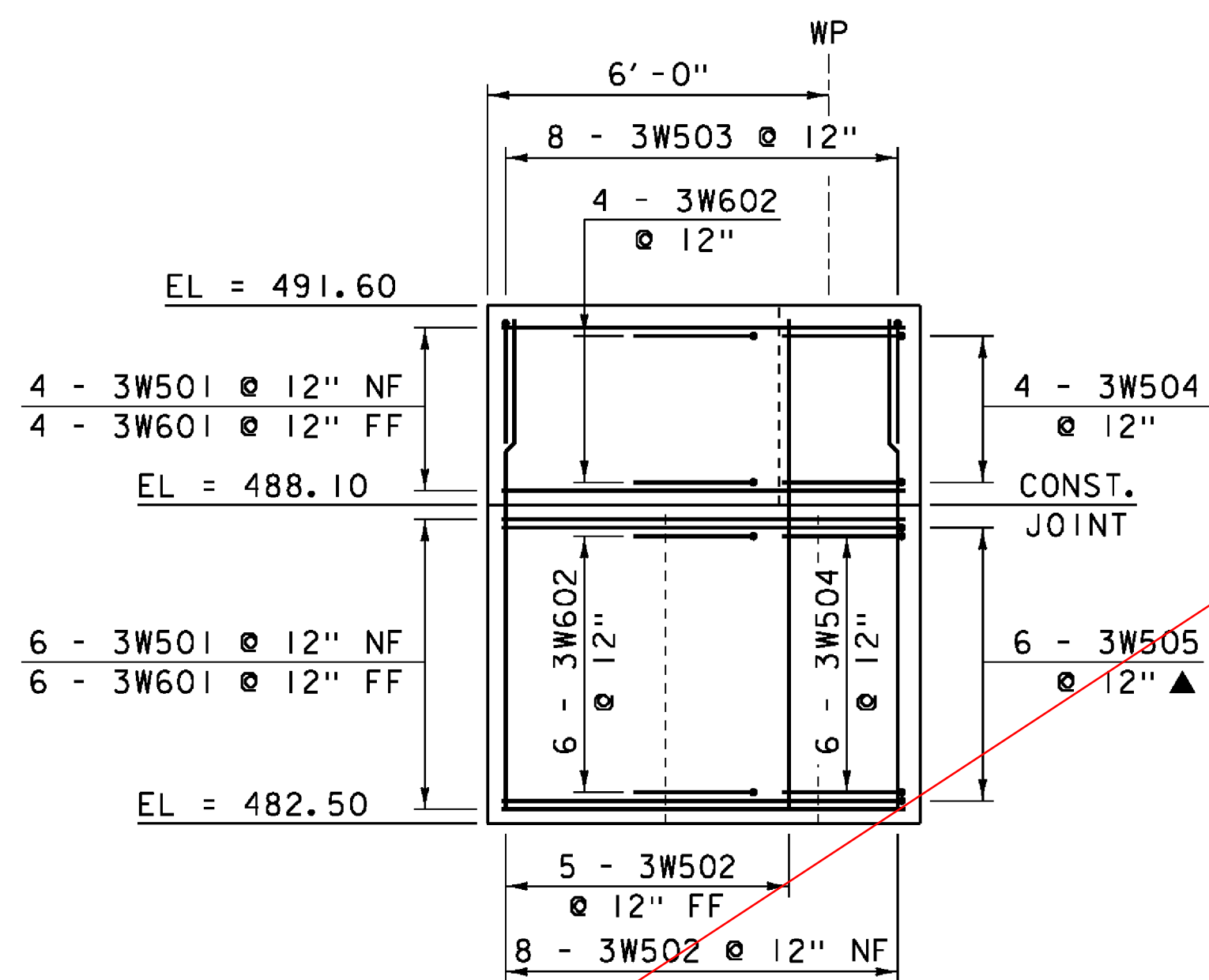
**WINGWALL #1 ELEVATION**  
SCALE: 3/8" = 1'-0"



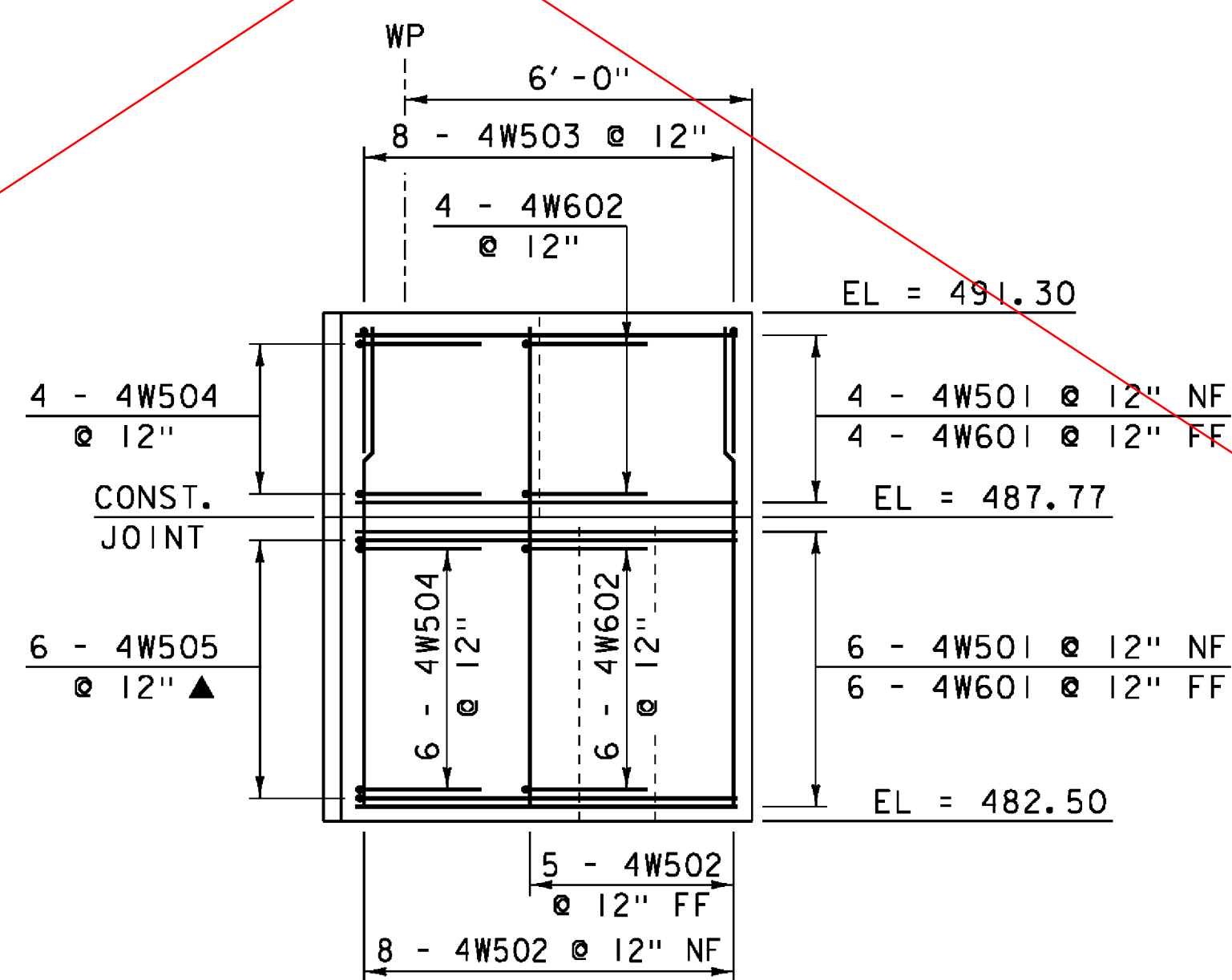
**WINGWALL #2 ELEVATION**  
SCALE: 3/8" = 1'-0"



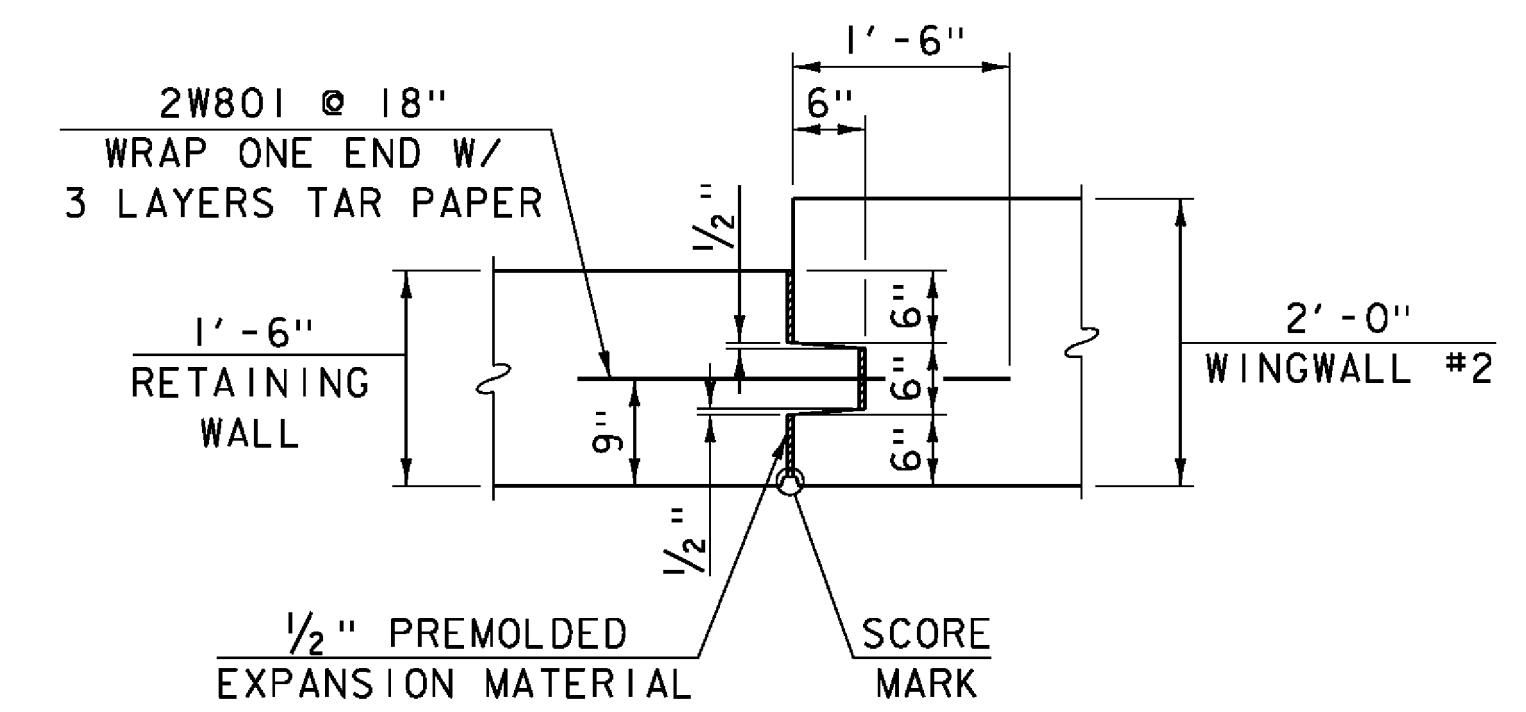
**WINGWALL TYPICAL SECTION**  
SCALE: 1/2" = 1'-0"



**WINGWALL #3 ELEVATION**  
SCALE: 3/8" = 1'-0"



**WINGWALL #4 ELEVATION**  
SCALE: 3/8" = 1'-0"



**CONCRETE EXPANSION JOINT**  
(BETWEEN RETAINING WALL AND WINGWALL #2)  
SCALE: 3/4" = 1'-0"

**NOTE:**  
NF = NEAR FACE  
FF = FAR FACE  
EF = EACH FACE  
▲ = CUT TO FIT IN FIELD  
3" CLEAR, UNLESS OTHERWISE SPECIFIED ON THE PLANS.  
2'-2" BAR LAP UNLESS OTHERWISE SPECIFIED ON THE PLANS.

SEE REVISION: OCT-28-2014

PROJECT NAME: JOHNSON  
PROJECT NUMBER: BRF 030-2(26)

FILE NAME: s88bi93sub.dgn  
PROJECT LEADER: C. CARLSON  
DESIGNED BY: H. SALLS  
PLOT DATE: 10-JUN-2014  
DRAWN BY: G. ROKES  
CHECKED BY: H. SALLS  
WINGWALL ELEVATIONS AND TYPICAL SECTION SHEET 35 OF 69