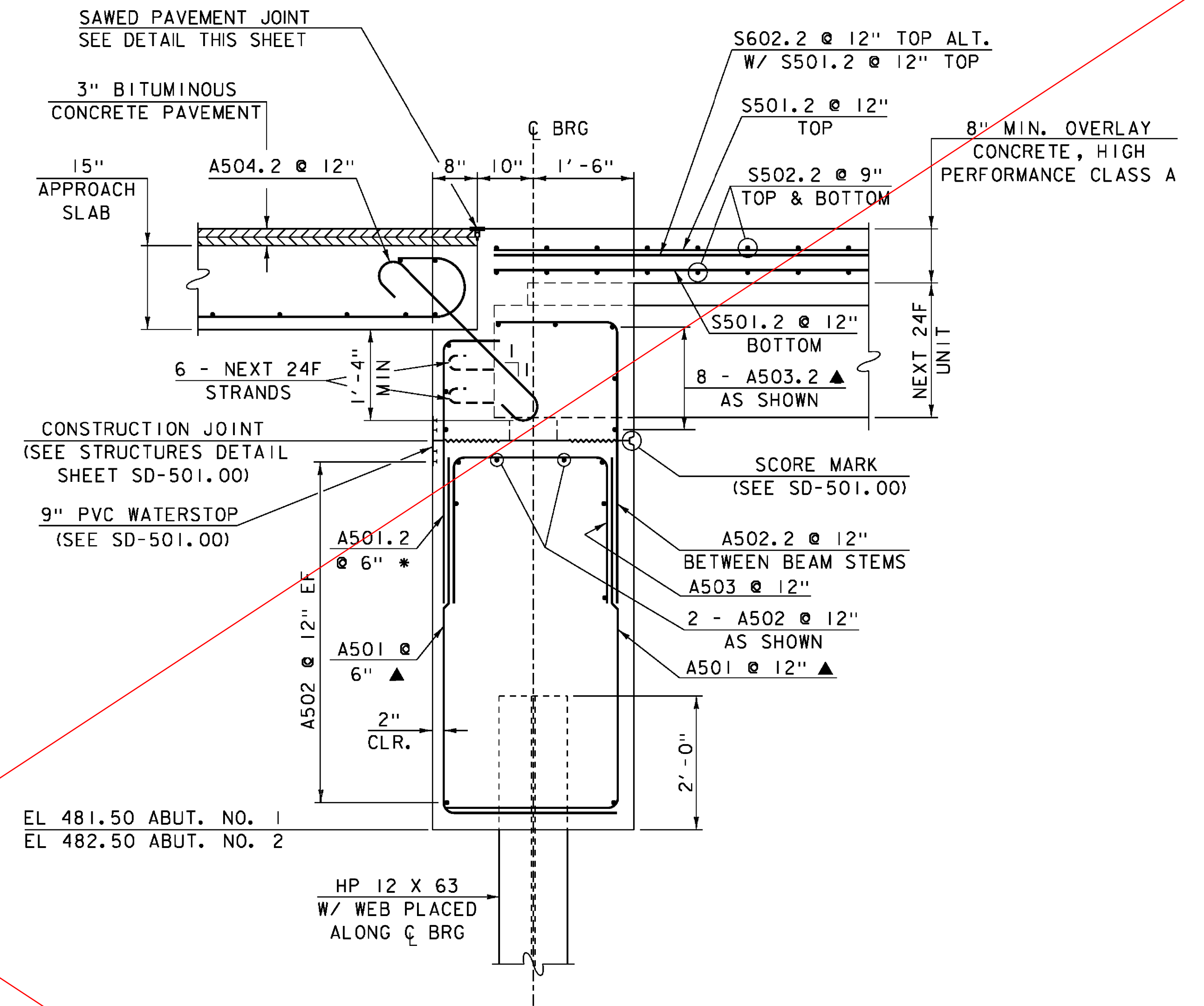


SAWED PAVEMENT JOINT DETAIL
(NOT TO SCALE)

* JOINT IS TO BE LOCATED ACCURATELY BY STRING LINING, OR OTHER MEANS, PRIOR TO PAVING, SO THAT THE SAW CUTS WILL BE MADE DIRECTLY OVER THE END OF CONCRETE DECK. JOINT SHALL BE CUT DRY IN A SINGLE PASS AND BE SEALED WITHIN 24 HOURS OR PRIOR TO EXPOSURE TO TRAFFIC. JOINT SHALL BE CLEANED PRIOR TO APPLYING THE JOINT SEALER.



ABUTMENT TYPICAL SECTION
SCALE: 3/4" = 1'-0"

NOTE:
NF = NEAR FACE
FF = FAR FACE
EF = EACH FACE
▲ = CUT TO FIT IN FIELD
3" CLR. UNLESS OTHERWISE NOTED
2'-2" BAR LAP UNLESS OTHERWISE NOTED
* THE HOOKS WILL NEED TO BE TURNED OR REMOVED WHEN IN CONFLICT WITH THE BEAM STEMS.

SEE REVISION: OCT-28-2014

PROJECT NAME:	JOHNSON	PLOT DATE:	10-JUN-2014
PROJECT NUMBER:	BRF 030-2(26)	DRAWN BY:	G. ROKES
FILE NAME:	s88bi93sub.dgn	DESIGNED BY:	H. SALLS
PROJECT LEADER:	C. CARLSON	ABUTMENT TYPICAL SECTION	CHECKED BY: H. SALLS
			SHEET 34 OF 69