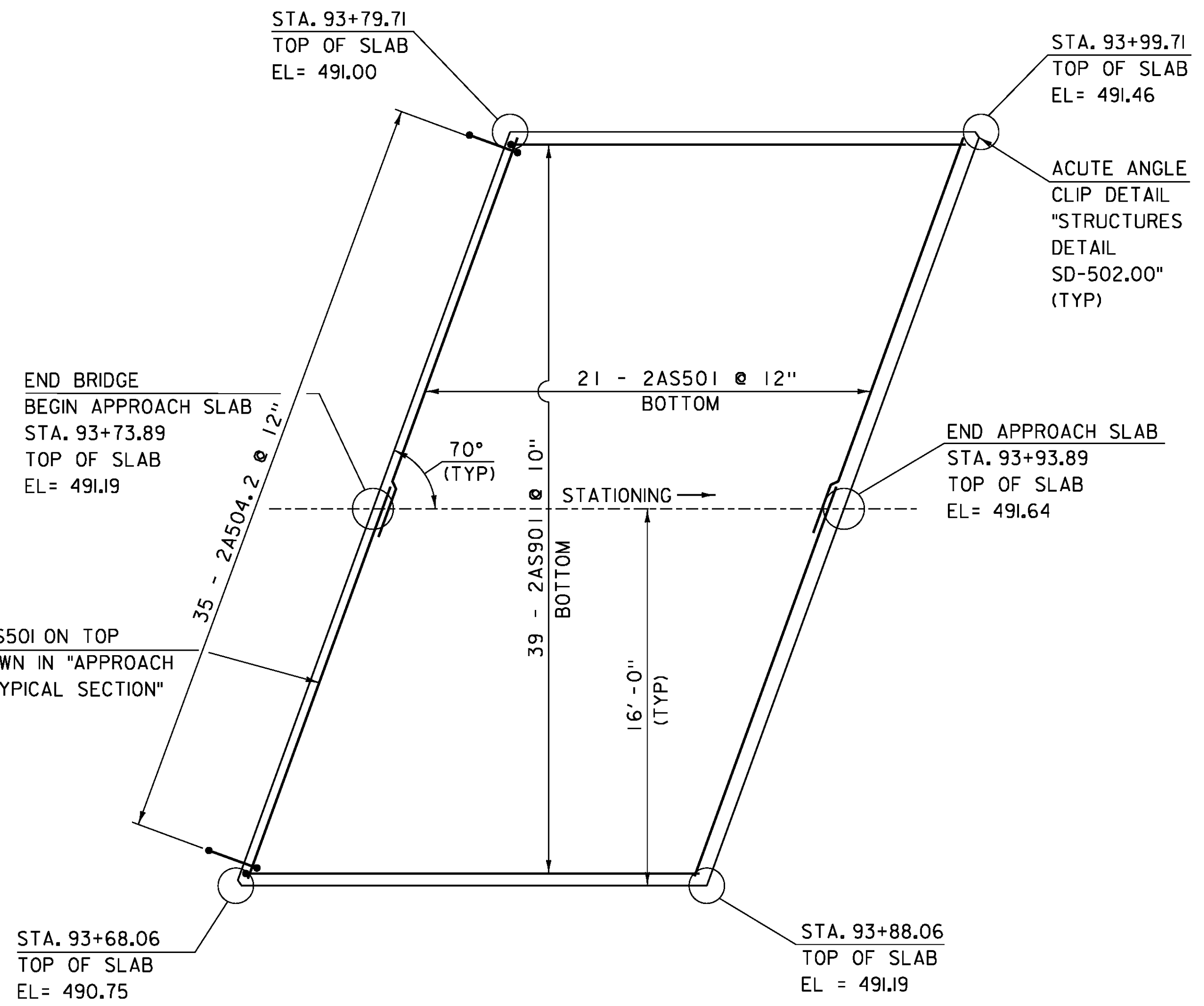
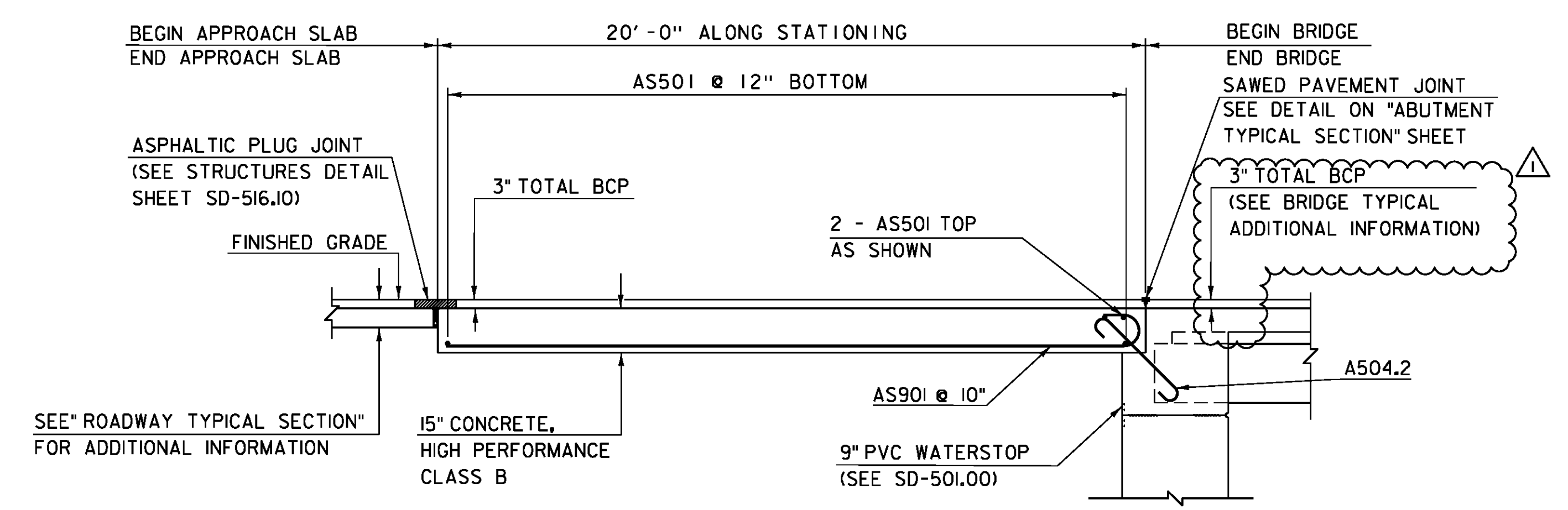


**APPROACH SLAB # 1 PLAN**  
SCALE: 1/4" = 1'-0"



**APPROACH SLAB # 2 PLAN**  
SCALE: 1/4" = 1'-0"



**APPROACH SLAB TYPICAL SECTION**  
SCALE: 3/8" = 1'-0"

REVISION	DATE	DESCRIPTION	BY
1	OCT-28-2014	ADD 3" PAYMENT, LOWER BRIDGE SEAT, ADD 3" CONCRETE PEDESTAL	GNR

**NOTE:**  
 NF = NEAR FACE  
 FF = FAR FACE  
 EF = EACH FACE  
 ▲ = CUT TO FIT IN FIELD  
 3" CLEAR, UNLESS OTHERWISE SPECIFIED ON THE PLANS.  
 2'-2" BAR LAP UNLESS OTHERWISE SPECIFIED ON THE PLANS.

PROJECT NAME:	JOHNSON
PROJECT NUMBER:	BRF 030-2(26)
FILE NAME:	s88bl93sub.dgn
PROJECT LEADER:	C. CARLSON
DESIGNED BY:	H. SALLS
APPROACH SLAB PLAN AND TYPICAL SECTION	
PLOT DATE:	05-NOV-2014
DRAWN BY:	G. ROKES
CHECKED BY:	H. SALLS
SHEET	31 OF 69