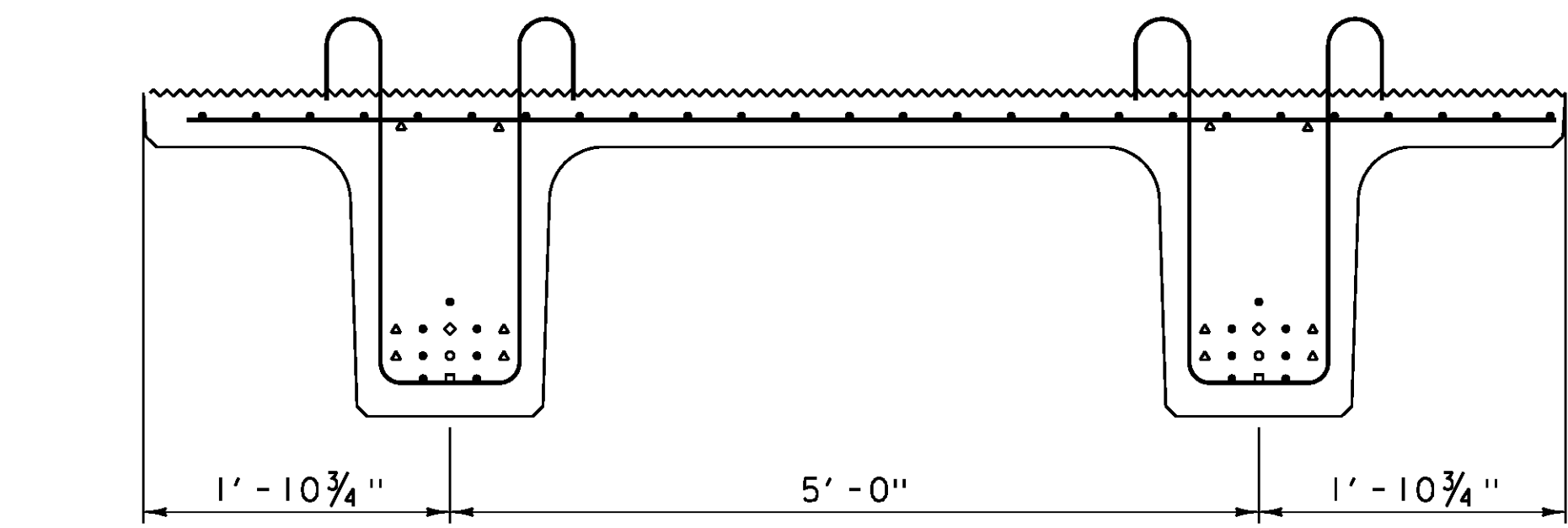
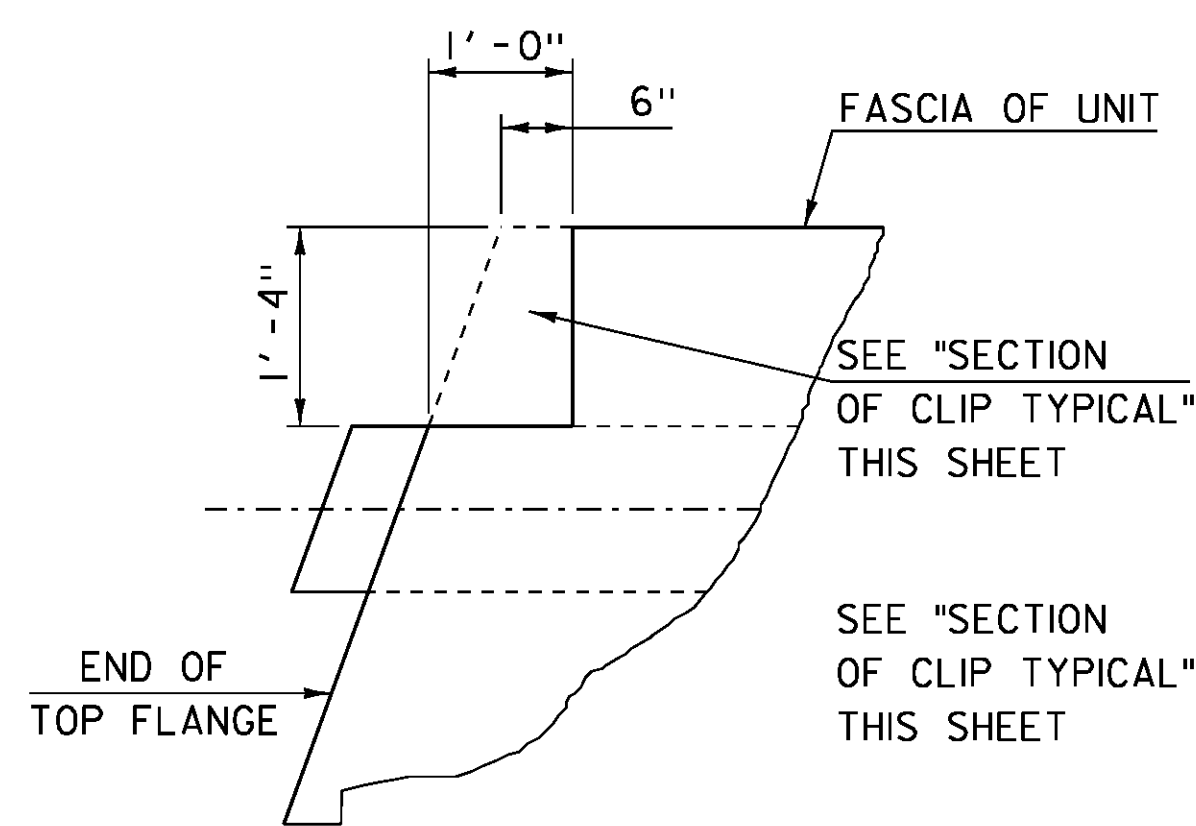


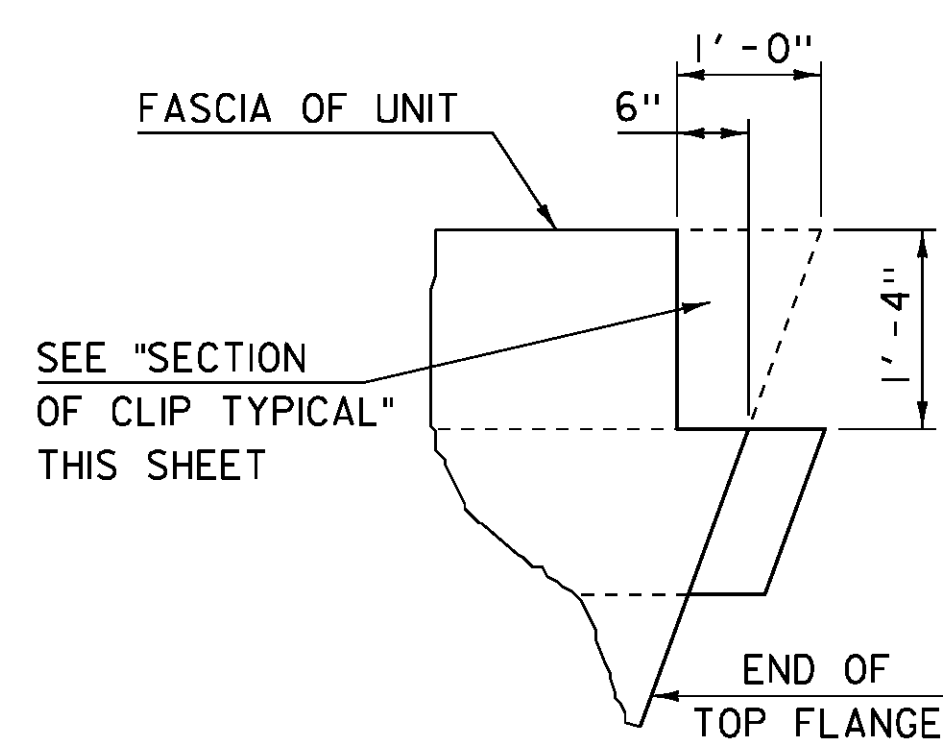
**FASCIA UNITS 1 & 4**  
SCALE: 1" = 1'-0"



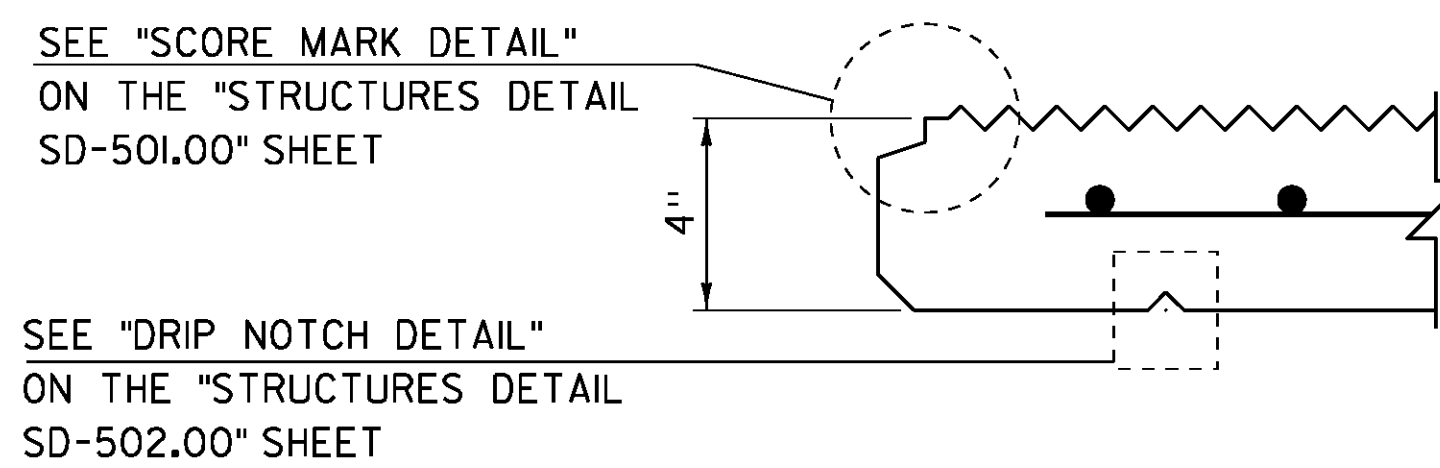
**UNITS 2 & 3**  
SCALE: 1" = 1'-0"



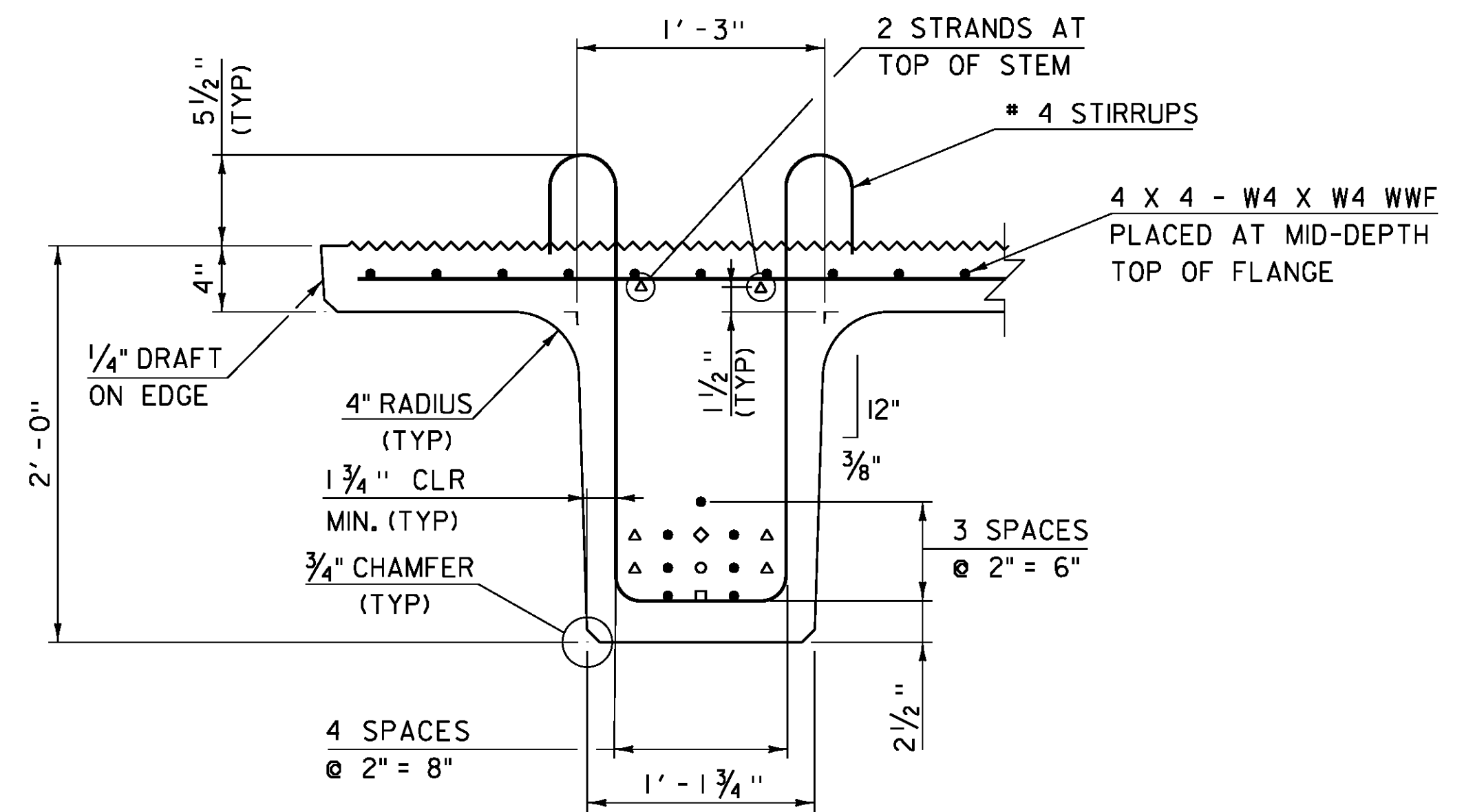
**NEXT BEAM  
CORNER CLIP DETAIL A**  
SCALE: 3/4" = 1'-0"



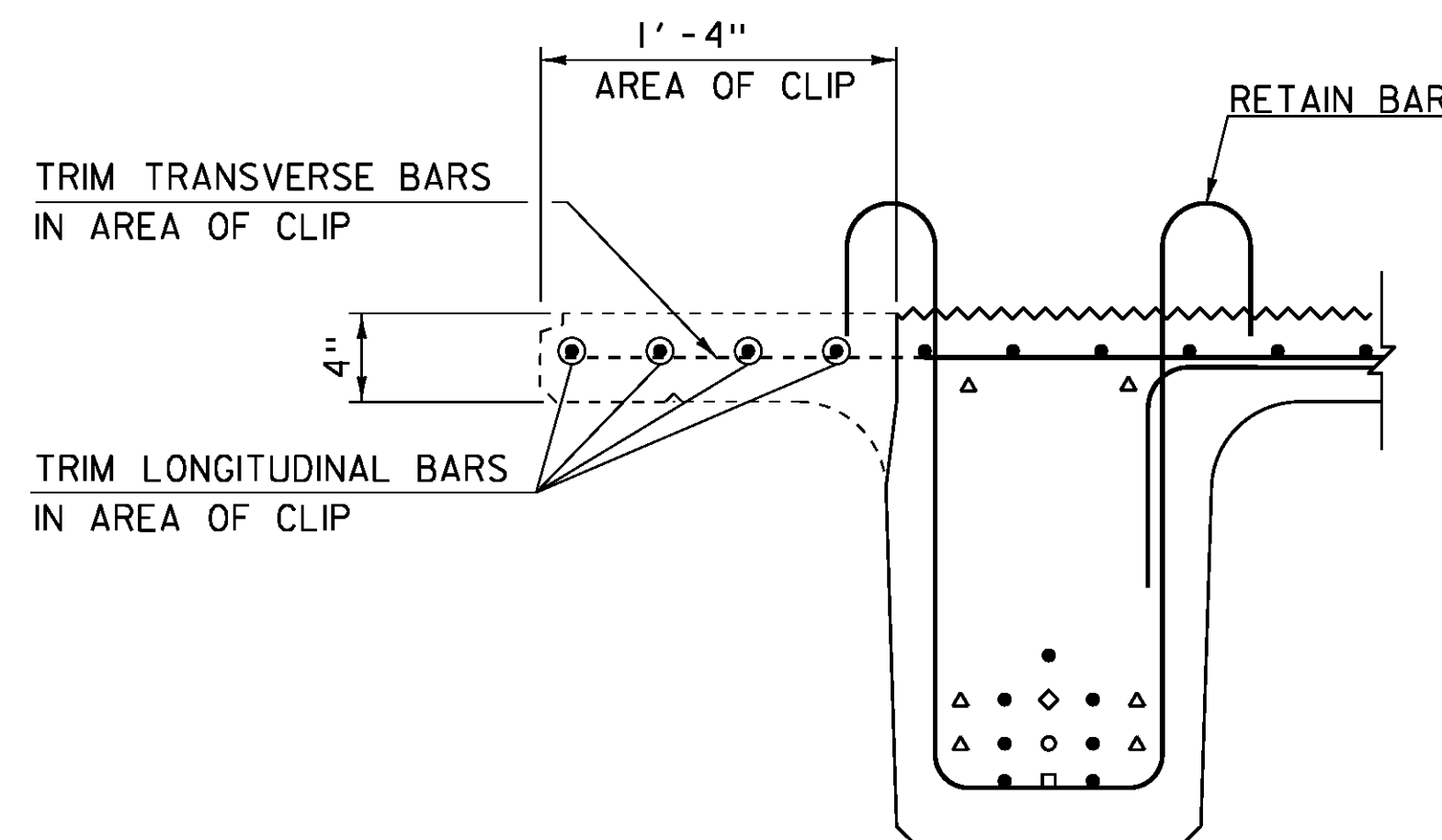
**NEXT BEAM  
CORNER CLIP DETAIL B**  
SCALE: 3/4" = 1'-0"



**FASCIA DETAIL**  
SCALE: 3" = 1'-0"



**STEM TYPICAL SECTION**  
SCALE: 1 1/2" = 1'-0"



**SECTION OF CLIP TYPICAL**  
SCALE: 1 1/2" = 1'-0"

REMOVE  
"IMBEDDED GUARDRAIL ANCHOR PLATE"  
DETAIL

**STRAND LEGEND**

- NOT DEBONDED
- △ DEBONDED 0' - 6"
- ◇ DEBONDED 4' - 0"
- DEBONDED 8' - 0"
- DEBONDED 10' - 0"

**NOTES:**

1. TOP SURFACE OF TOP FLANGE SHALL HAVE A RAKE FINISH. SEE STRUCTURES DETAIL SHEET SD-501.00.
2. STRANDS IN THE TOP AND BOTTOM ROWS THAT ARE NOT DEBONDED SHALL EXTEND 1'-6" FROM THE FINISHED END OF EACH BEAM STEM.

REVISION	DATE	DESCRIPTION	BY
1	OCT-28-2014	ADD 3" PAYMENT, LOWER BRIDGE SEAT, ADD 3" CONCRETE PEDESTAL	GNR

PROJECT NAME: JOHNSON  
PROJECT NUMBER: BRF 030-2(26)

FILE NAME: s88bl93sup.dgn PLOT DATE: 05-NOV-2014  
PROJECT LEADER: C. CARLSON DRAWN BY: G. ROKES  
DESIGNED BY: H. SALLS CHECKED BY: H. SALLS  
NEXT BEAM SECTIONS AND STRAND DETAILS SHEET 29 OF 69