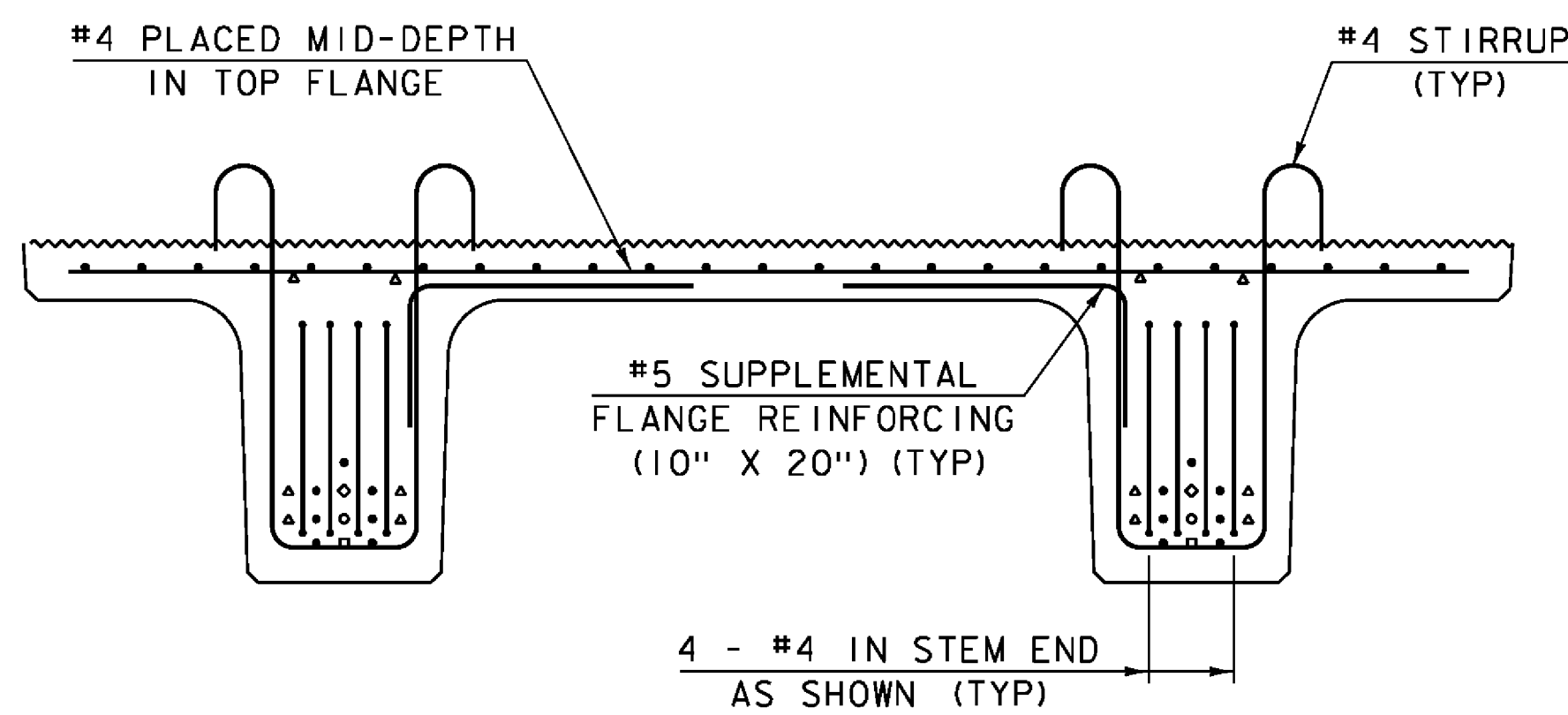
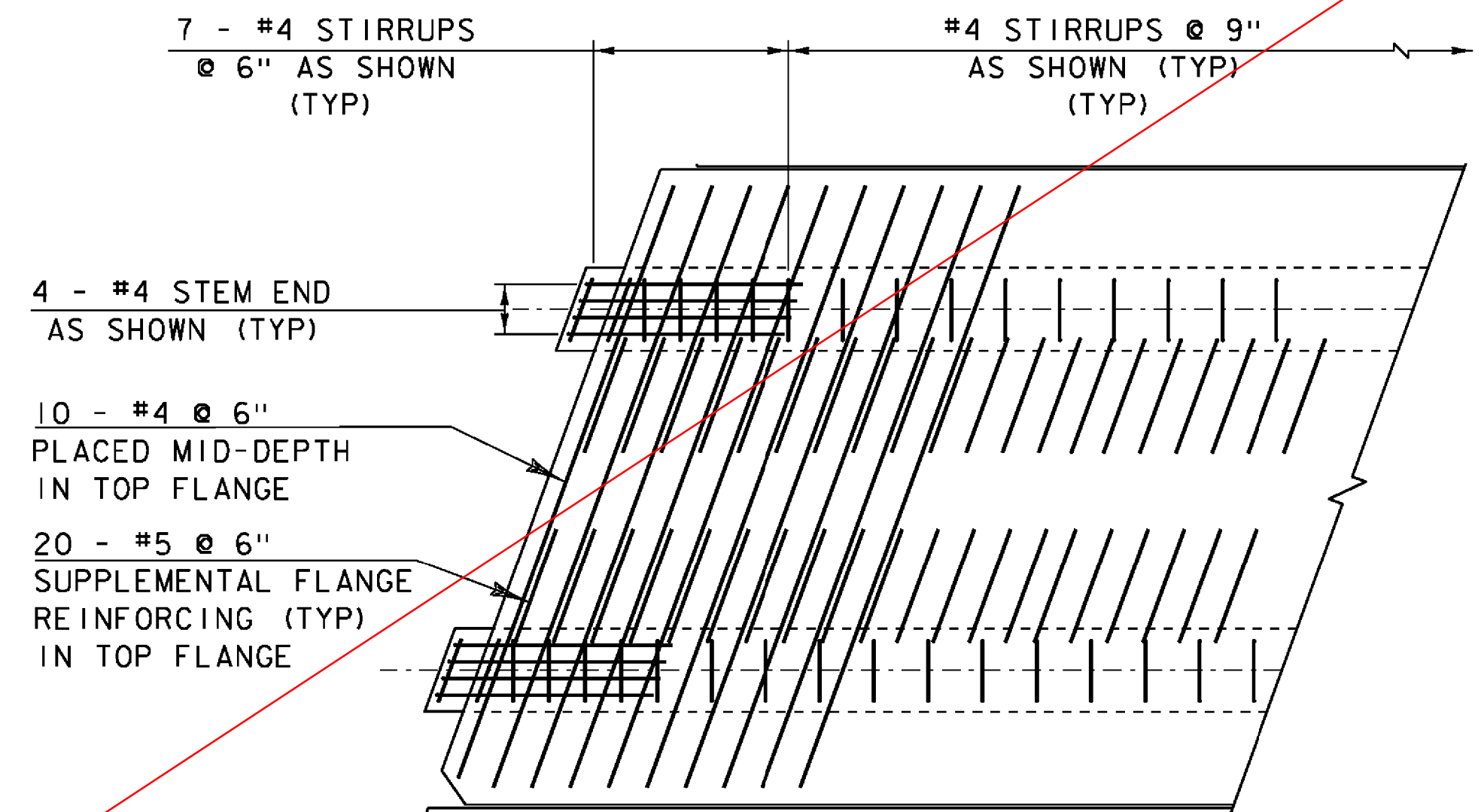


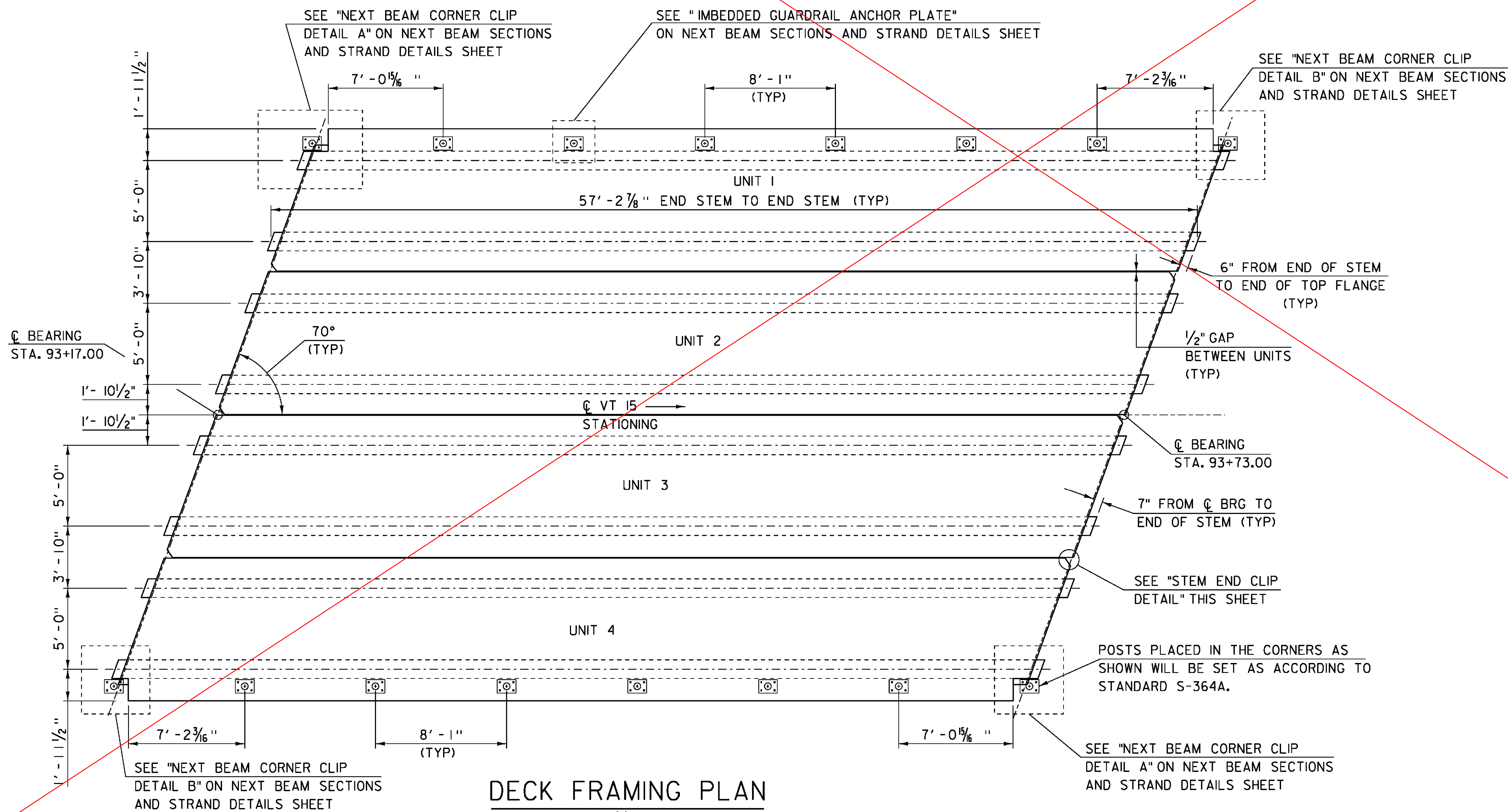
STEM END - SIDE ELEVATION
SCALE: 1" = 1'-0"



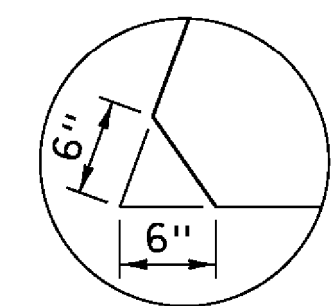
STEM END - END ELEVATION
SCALE: 1" = 1'-0"



STEM END - PLAN
SCALE: 1/2" = 1'-0"



DECK FRAMING PLAN
SCALE: 1/4" = 1'-0"



TOP FLANGE CLIP DETAIL
SCALE: 1" = 1'-0"

SEE REVISION: OCT-28-2014

PROJECT NAME: JOHNSON
PROJECT NUMBER: BRF 030-2(26)

FILE NAME: s88bi93sup.dgn	PLOT DATE: 10-JUN-2014
PROJECT LEADER: C. CARLSON	DRAWN BY: G. ROKES
DESIGNED BY: H. SALLS	CHECKED BY: H. SALLS
FRAMING PLAN AND STEM END DETAILS	SHEET 28 OF 69