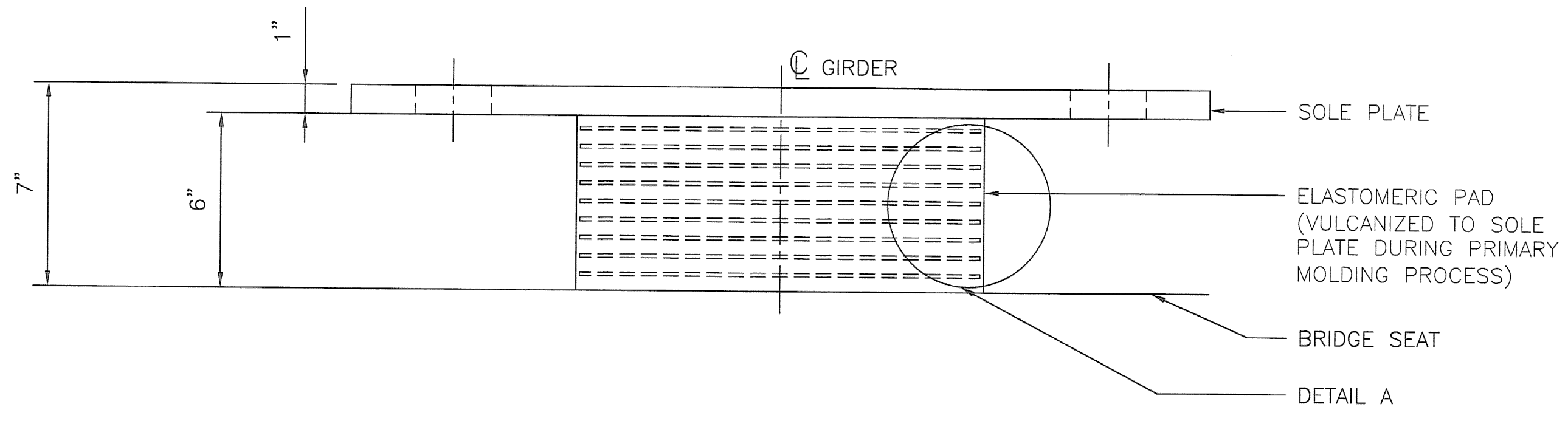


PLAN

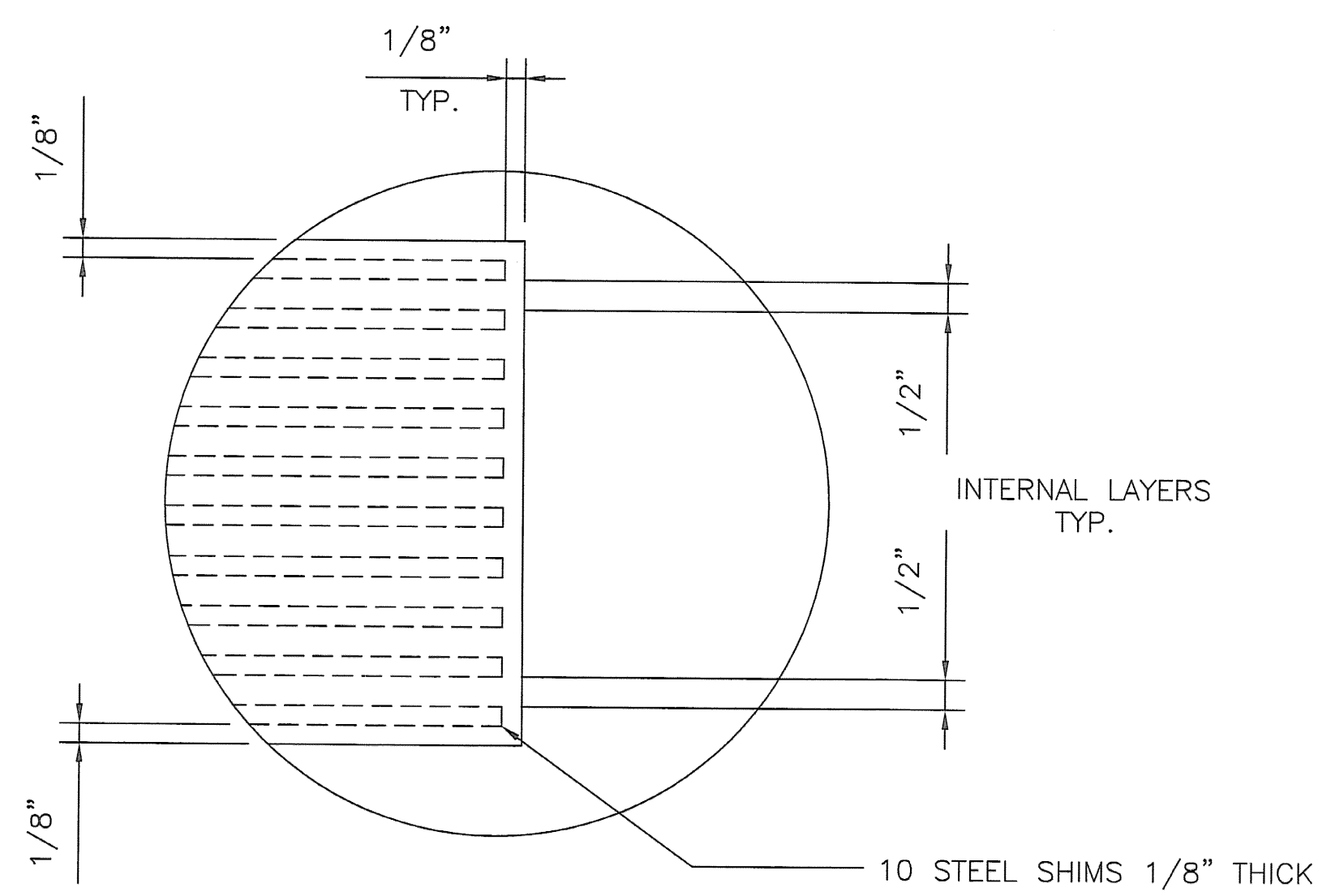
GIRDER	Y ANGLE Δ
1	75.19°
2	80.26°
3	85.50°
4	90.81°
5	96.11°



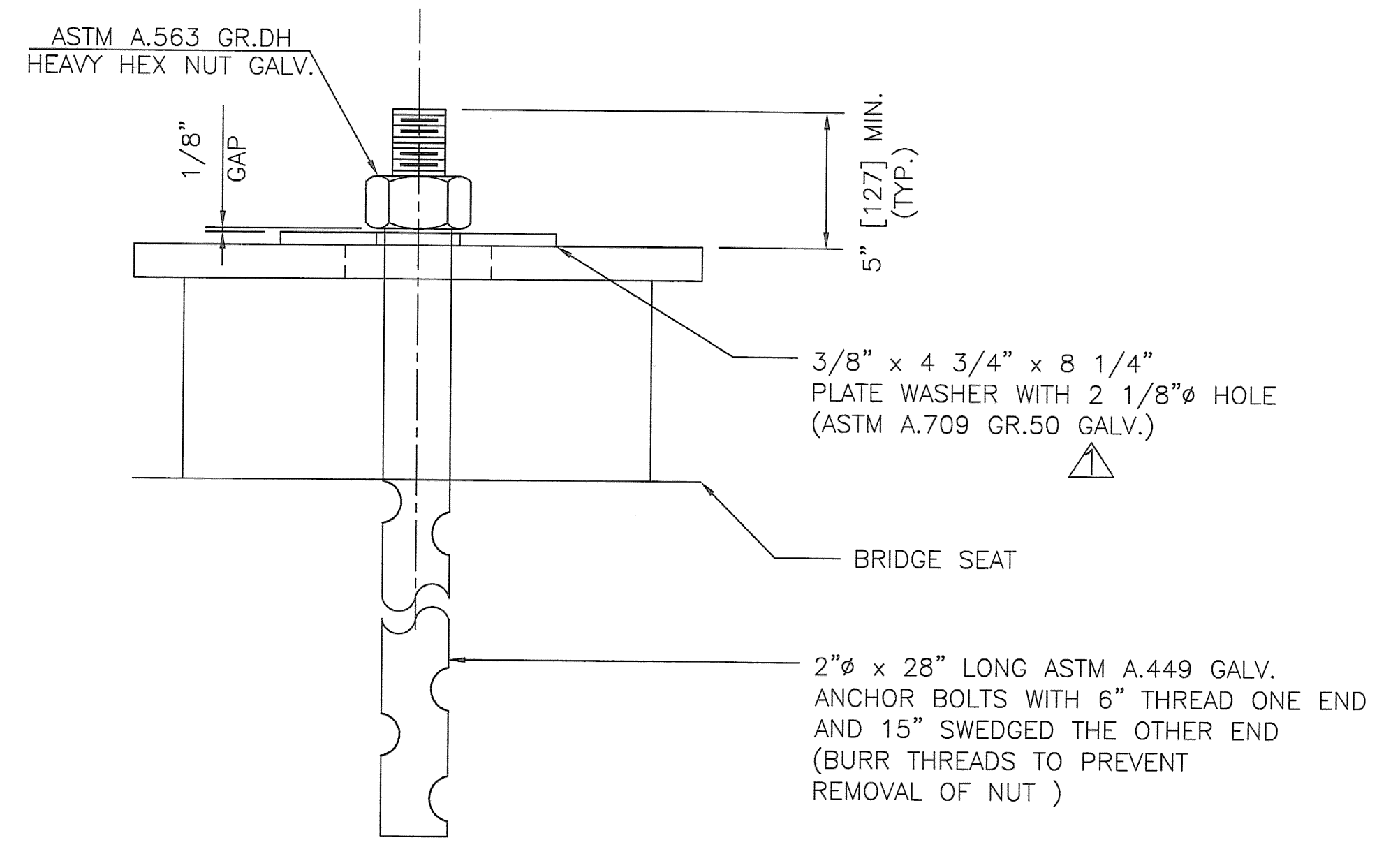
FRONT ELEVATION

COSMEC EXPANSION ELASTOMERIC BEARING

LOCATION:
ABUTMENT NO.1 GR. 1-5
TOTAL QUANTITY - 5



DETAIL A



ANCHOR BOLT DETAIL (SIDE VIEW)

- BEARING MATERIALS
1. STEEL - ASTM A.709 GR 50 ZINC METALIZED
 2. ELASTOMER - 60 DUROMETER GRADE 4 NATURAL RUBBER SHEAR MODULUS BETWEEN .130 AND .200 KSI
 3. ANCHOR BOLTS - SEE DETAIL
 4. STEEL SHIMS - AASHTO M270 GR.36 (A.709 GR.36)

- BEARING NOTES:
1. ANCHOR BOLTS AND ASSOCIATED HARDWARE SHALL BE GALVANIZED IN ACCORDANCE WITH ASTM M232
 2. LOCATION OF FABRICATION - 70 SOUTH STREET WALPOLE, MA 02081
 3. COSMEC, INC. REPRESENTATIVE: MR. MATT McANDREWS (508-668-6600)
 4. ALL BEARING DEVICES SHALL BE ZINC METALIZED AS PER SUBSECTION 531.04(b) AND 506.15(b). BEARINGS SHALL BE SEALED WITH AN APPROVED SEALER AS SPECIFIED IN STANDARD SPEC. SUBSECTION 506.15(b). AREAS OF METALIZING DAMAGED BY FIELD WELDING OR HANDLING SHALL BE PAINTED WITH AN APPROVED SEALANT.
 5. DESIGN CRITERIA: MINIMUM DESIGN ROTATION: .0124 RADIAN
DEAD LOAD: 87 KIPS
LIVE LOAD: 92 KIPS
TOTAL LOAD: 179 KIPS
TRANSLATION: .932 INCHES

Δ 6. ALL STEEL FABRICATION SHALL BE COMPLETED PRIOR TO VULCANIZING THE ELASTOMER TO THE SOLE PLATE.

STATE OF VERMONT
AGENCY OF TRANSPORTATION

ROUTE NO. VT 12 (MAJOR COLLECTOR),
BRIDGE NO. 42
TOWN OF RANDOLPH
ORANGE COUNTY
PROJECT BRF-0241(29)

COSMEC, INC. 70 SOUTH STREET WALPOLE, MA 02081

SCALE: 1/4"=1" DRAWN BY: MAE CHECKED BY: MCM
SHEET 3 OF 4 DATE: 11/22/06 DATE: 2/21/07

COSMEC ELASTOMERIC BEARINGS

CUSTOMER: WINTERSSET, INC. S.O. NUMBER: 60689 DRAWING NUMBER: 5130 REV: 1

RECEIVED JUN 06 2007

CHK'D BY: TAB OK'D BY: _____

RESUBMIT: _____ APPROVED: _____
BY: JY DATE: 6/6/07

REV. Δ ADDED NOTE 6, REVISED ANGLE TABLE & REVISED WASHER MATERIAL.