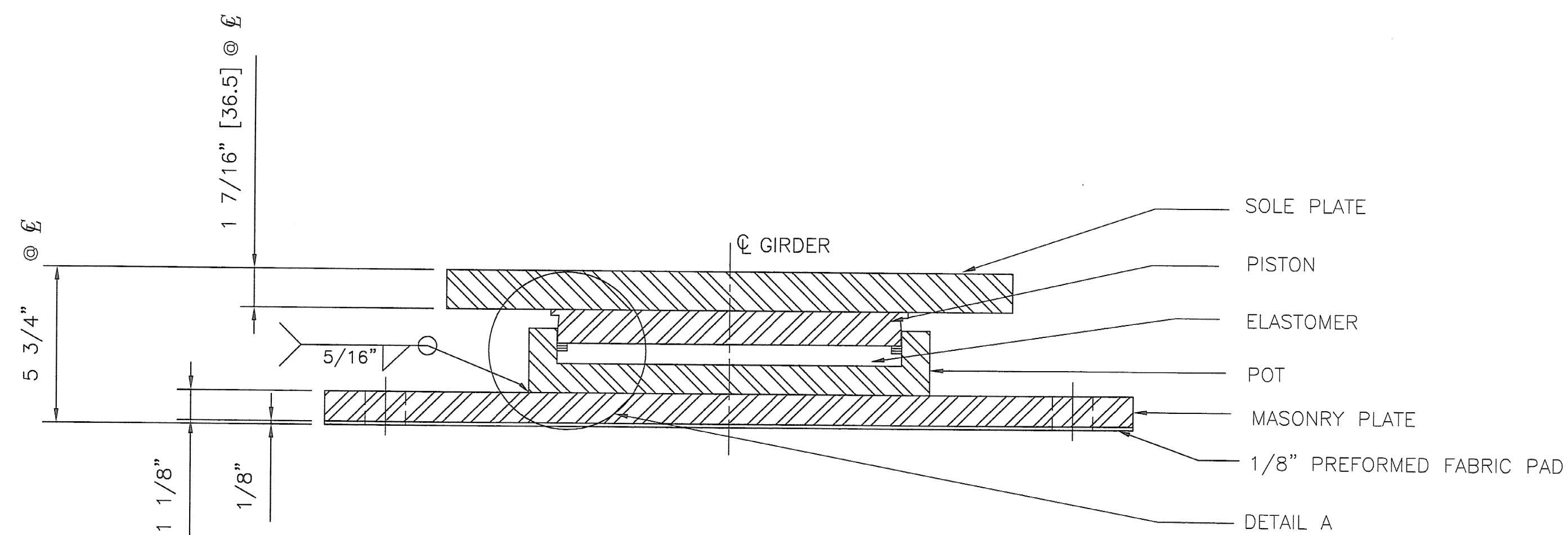
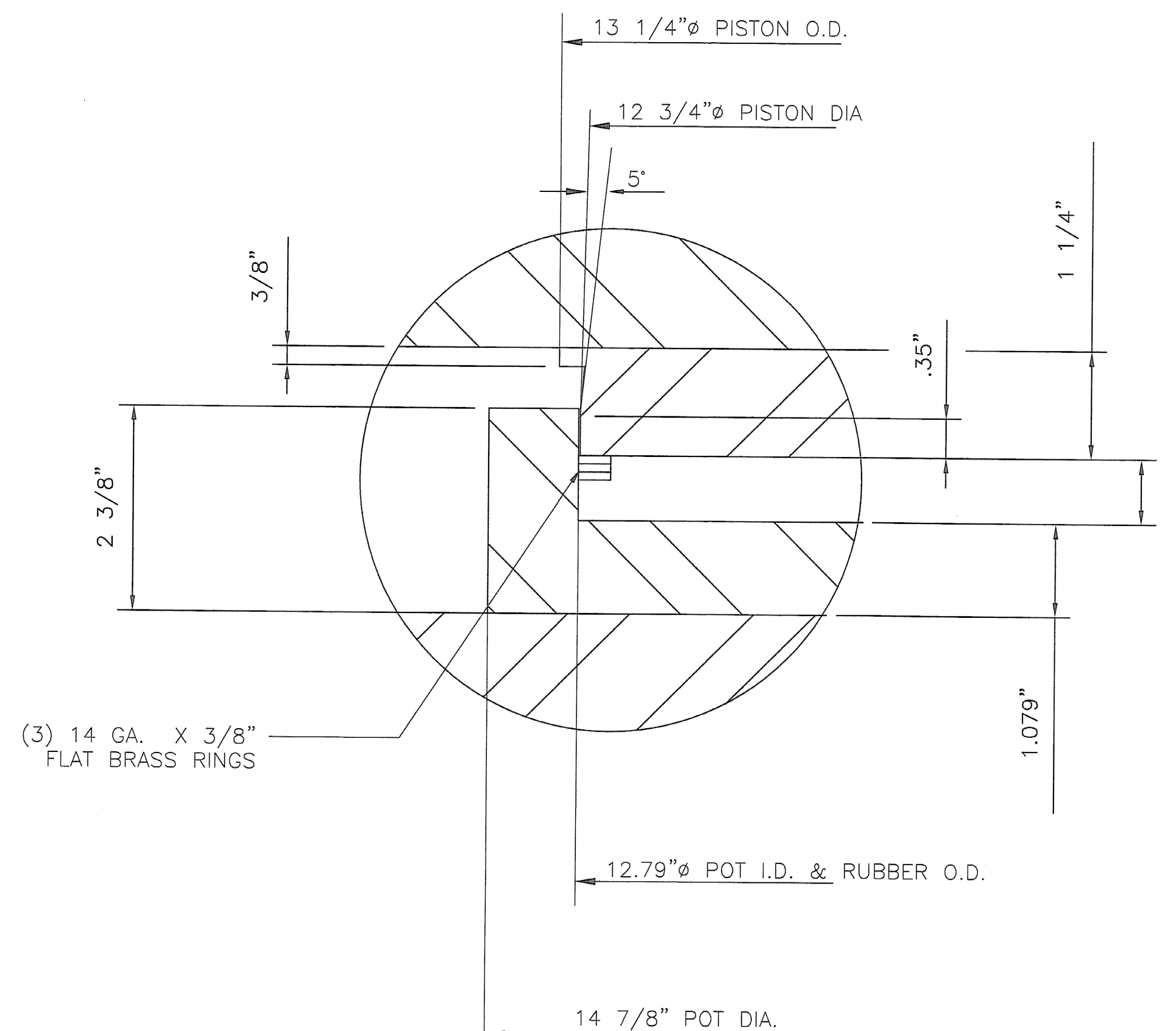
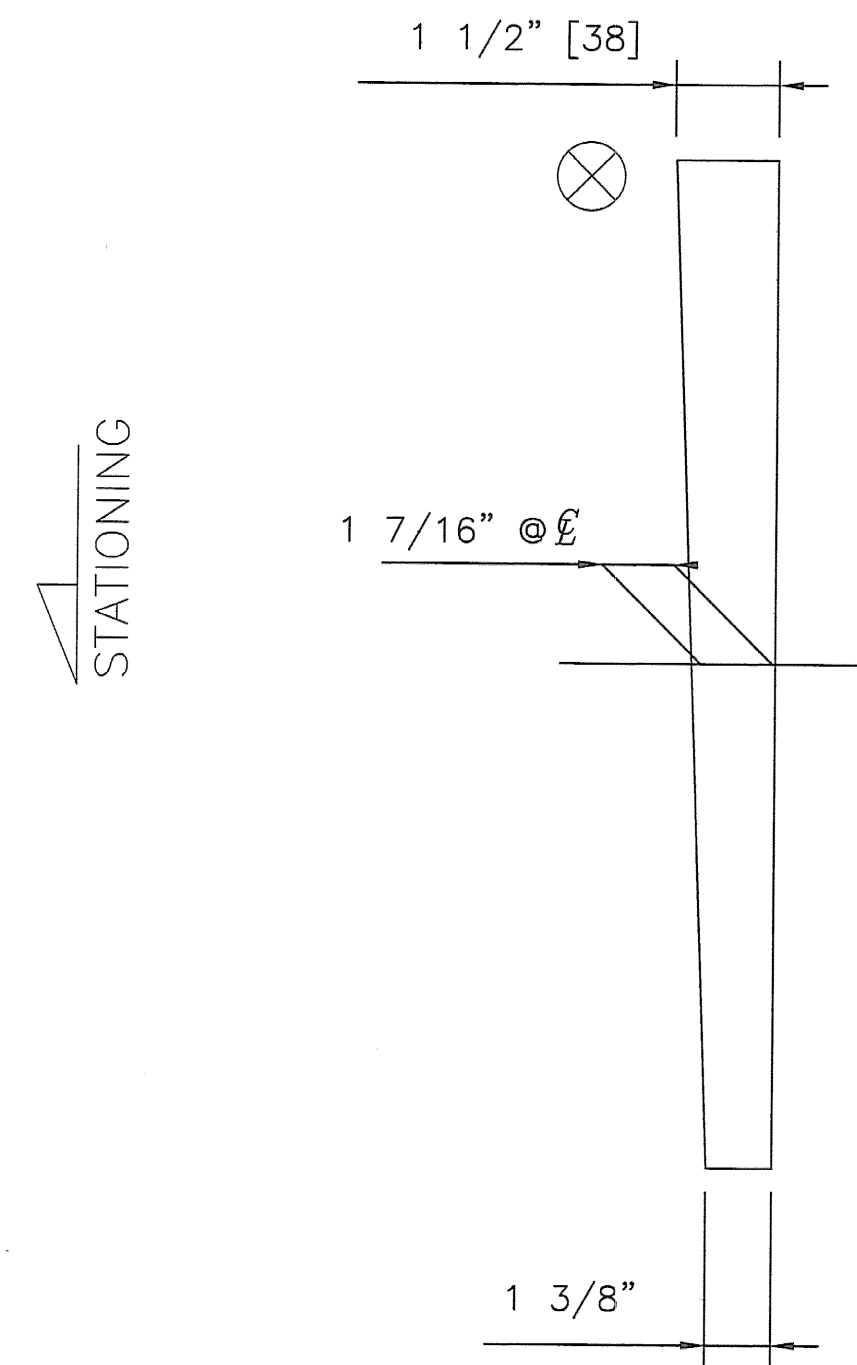


PLAN



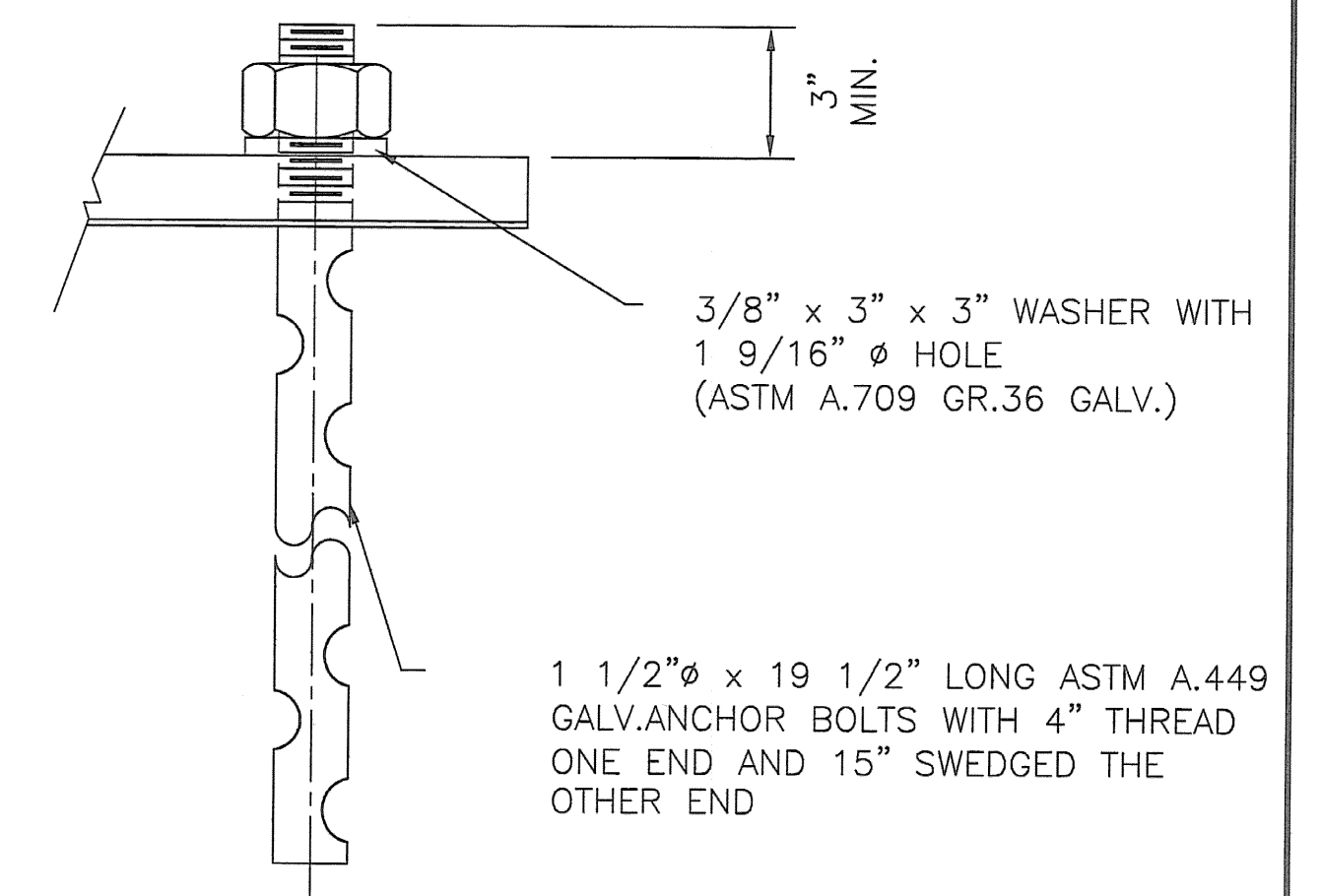
SECTION A-A
COSMEC FIXED POT BEARING

LOCATION: PIER 1, GIRDER 2 & 3
 QUANTITY: 2
 TOTAL VERTICAL CAPACITY= 450 KIPS
 TOTAL HORIZONTAL CAPACITY= 90 KIPS
 ROTATIONAL CAPACITY= .015 RADIAN



- BEARING MATERIALS
1. STEEL - AASHTO M-270 GR 36 ZINC METALIZED
 2. BRASS SEALING RINGS - ASTM B.36 HALF HARD
 3. PREFORMED FABRIC PAD - AASHTO SPECIFICATION DIV.II SPEC. 18.4.9.1
 4. ELASTOMER - VIRGIN PLAIN NEOPRENE WITH HARDNESS OF 50 DUROMETER (+/- 5)
 5. ANCHOR BOLTS - SEE DETAIL

- BEARING NOTES:
1. ANCHOR BOLTS AND ASSOCIATED HARDWARE SHALL BE GALVANIZED IN ACCORDANCE WITH ASTM M232
 2. LOCATION OF FABRICATION - 70 SOUTH STREET WALPOLE, MA 02081
 3. COSMEC, INC. REPRESENTATIVE: MR. MATT McANDREWS (508-668-6600)
 4. ALL BEARING DEVICES SHALL BE ZINC METALIZED AS PER SUBSECTION 531.04(b) AND 506.15(b). BEARINGS SHALL BE SEALED WITH AN APPROVED SEALER AS SPECIFIED IN STANDARD SPEC. SUBSECTION 506.15(b). AREAS OF METALIZING DAMAGED BY FIELD WELDING OR HANDLING SHALL BE PAINTED WITH AN APPROVED SEALANT.
 5. ⊗ MARKS HIGH END OF BEVELED



ANCHOR BOLT DETAIL

STATE OF VERMONT
 AGENCY OF TRANSPORTATION
 ROUTE NO. VT 12 (MAJOR COLLECTOR),
 BRIDGE NO. 42
 TOWN OF RANDOLPH
 ORANGE COUNTY
 PROJECT BRF-0241(29)

COSMEC, INC. 70 SOUTH STREET WALPOLE, MA 02081
 SCALE: 1/4"=1" DRAWN BY: MAF CHECKED BY: MCM
 SHEET 2 OF 4 DATE: 11/22/06 DATE: 2/21/07
 COSMEC POT BEARINGS

RECEIVED
 OK'D BY: TAs OK'D BY:
 JUN 06 2007
 RESUBMIT APPROVED
 BY: WJS DATE: 6/8/07

REV.	BY	DATE	OK'D BY	DATE	CUSTOMER	S.O. NUMBER	DRAWING NUMBER	REV.
					WINTERSSET, INC.	60689	5128	0