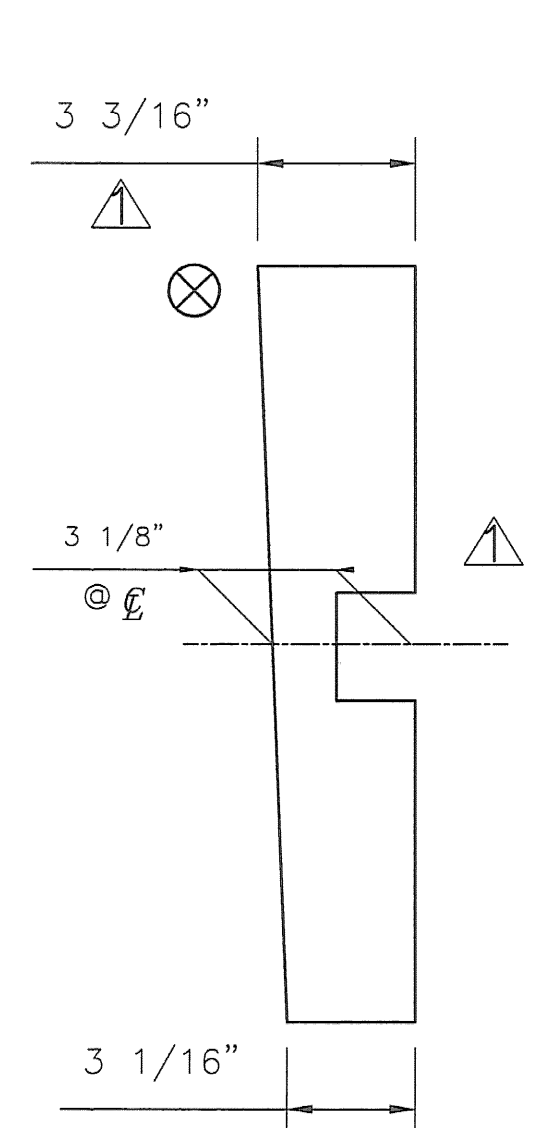
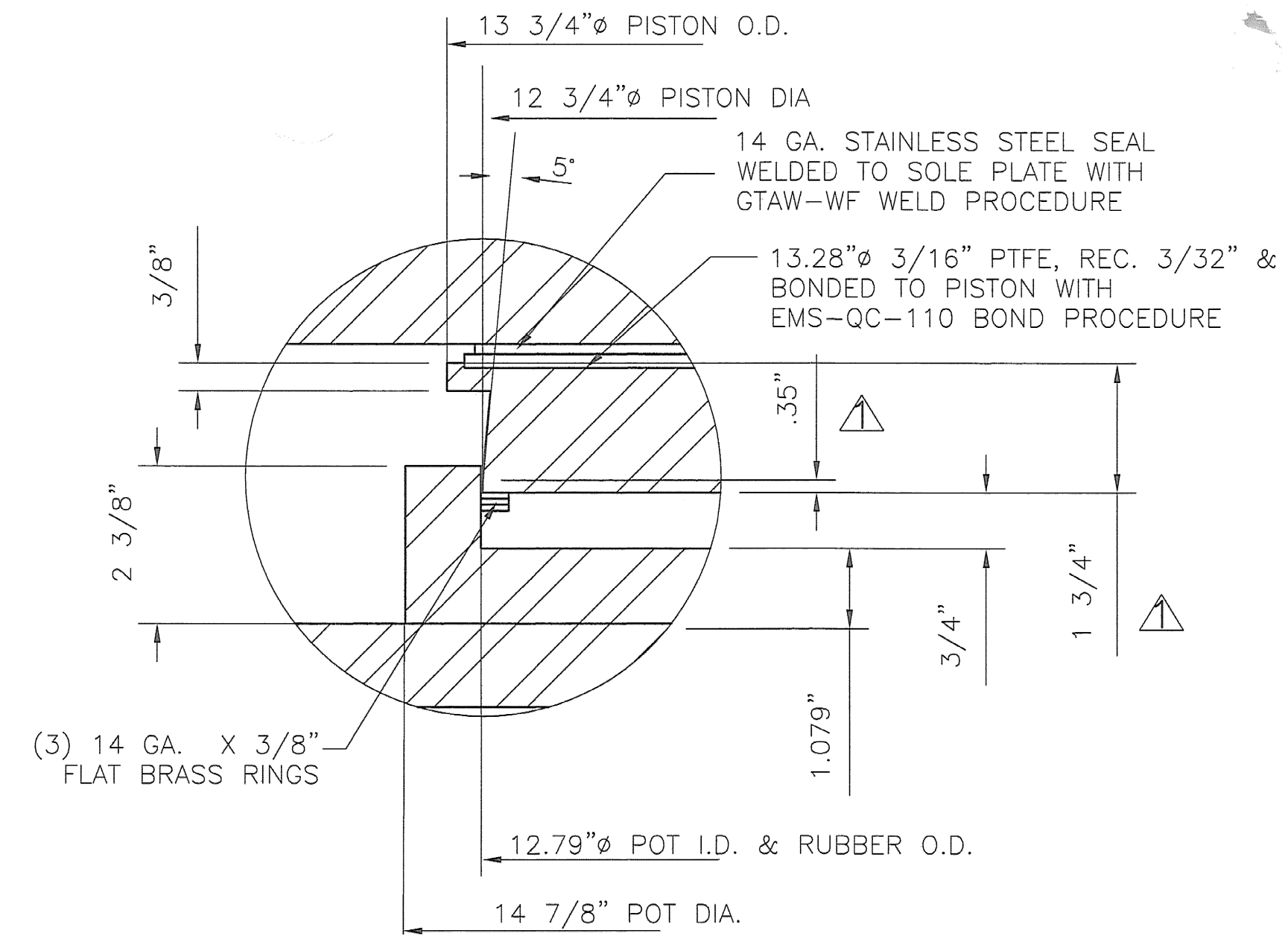


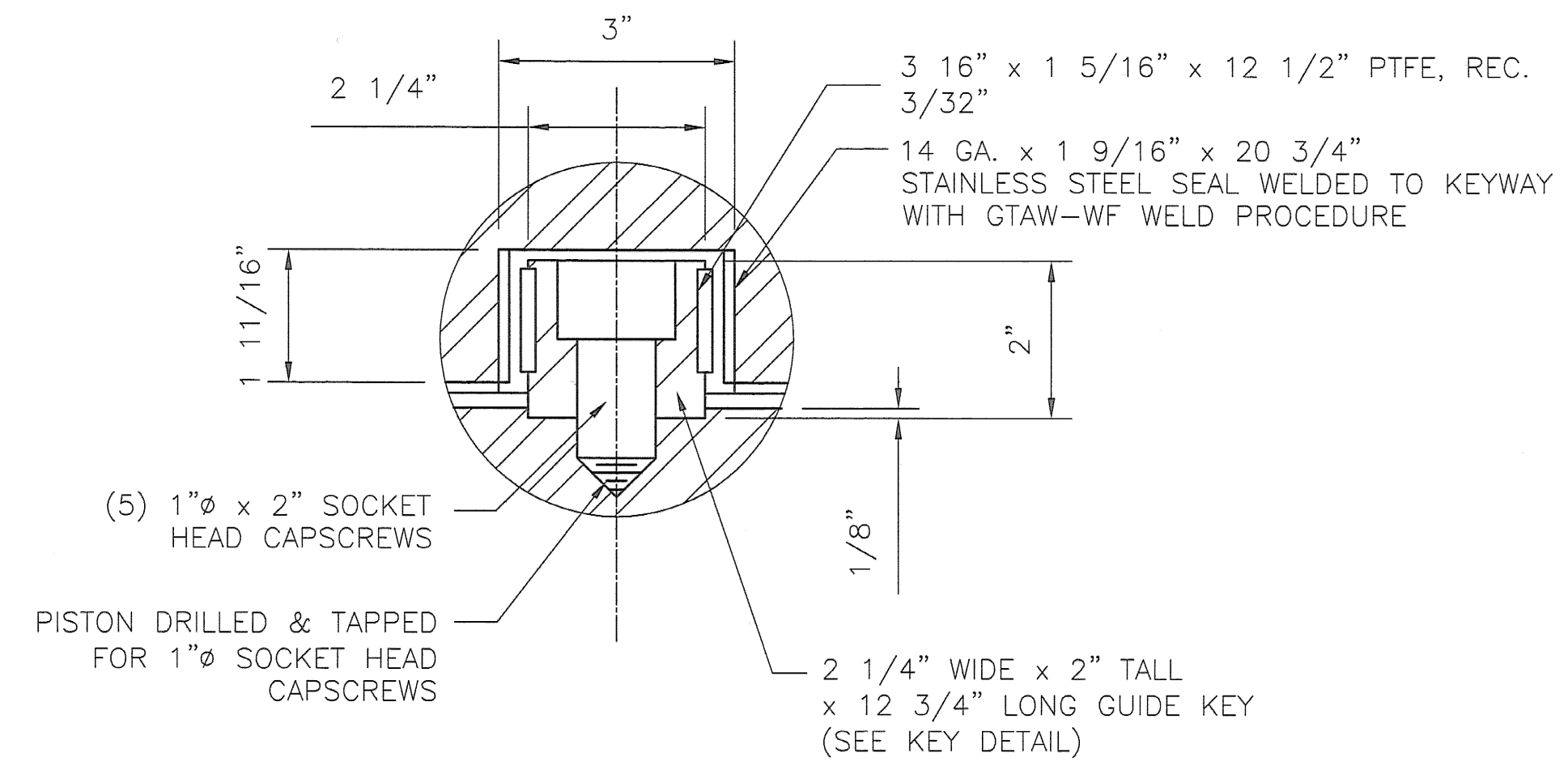
PLAN



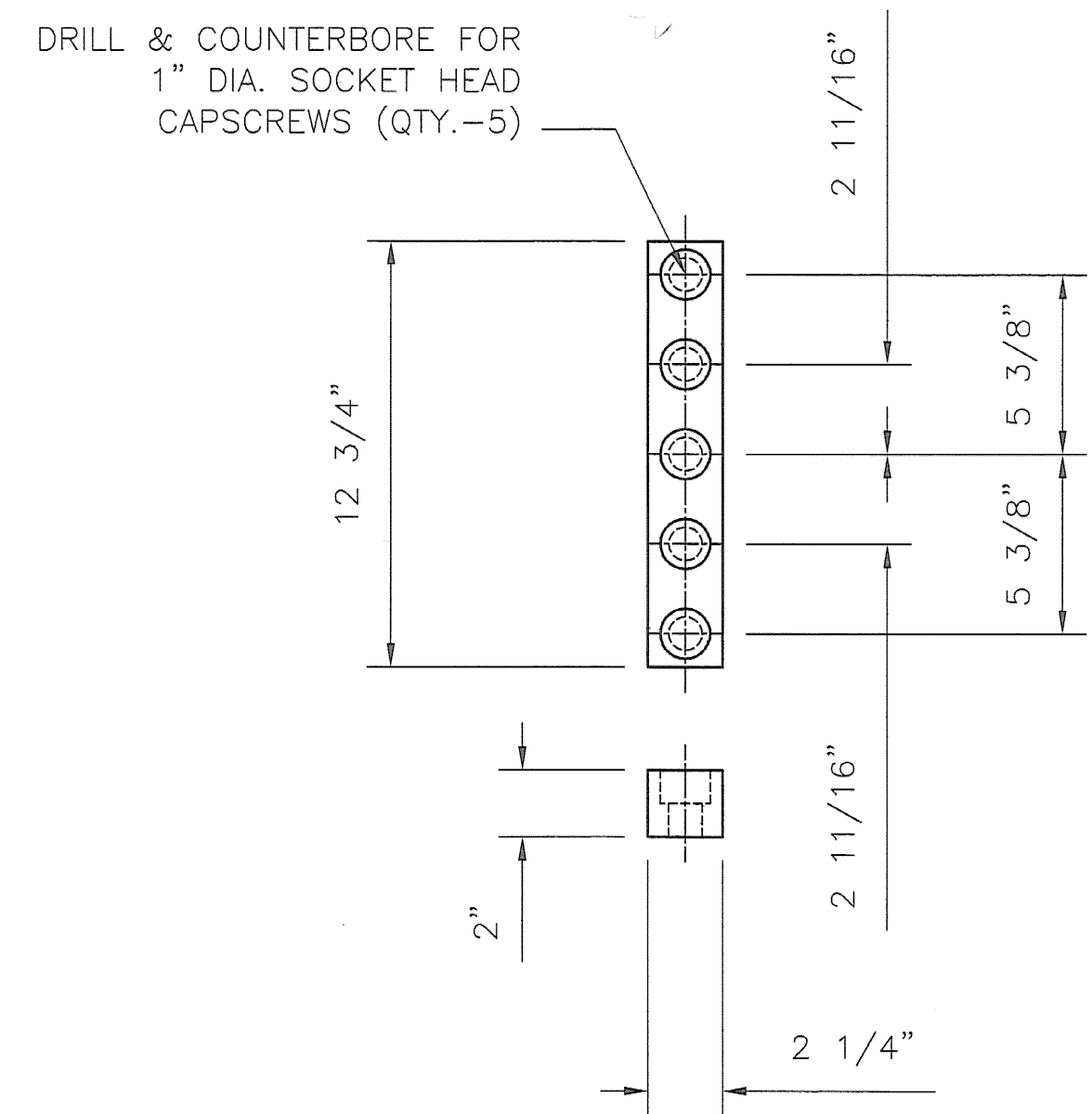
SIDE ELEVATION



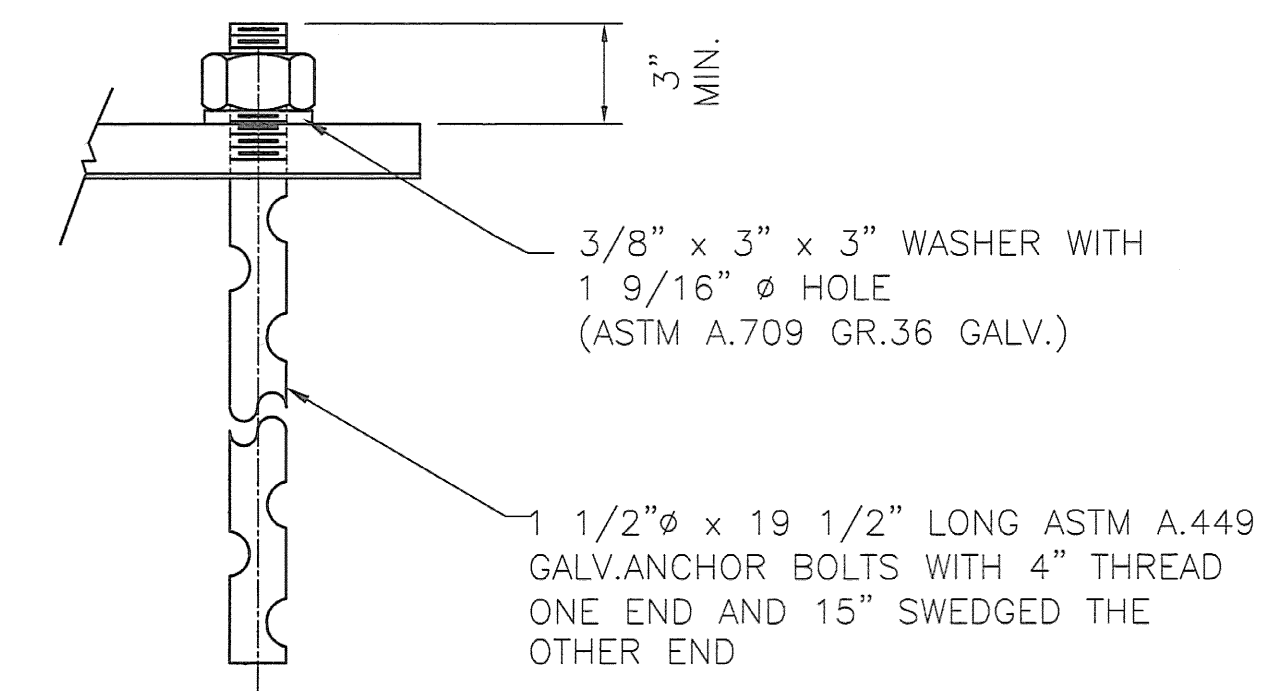
DETAIL A



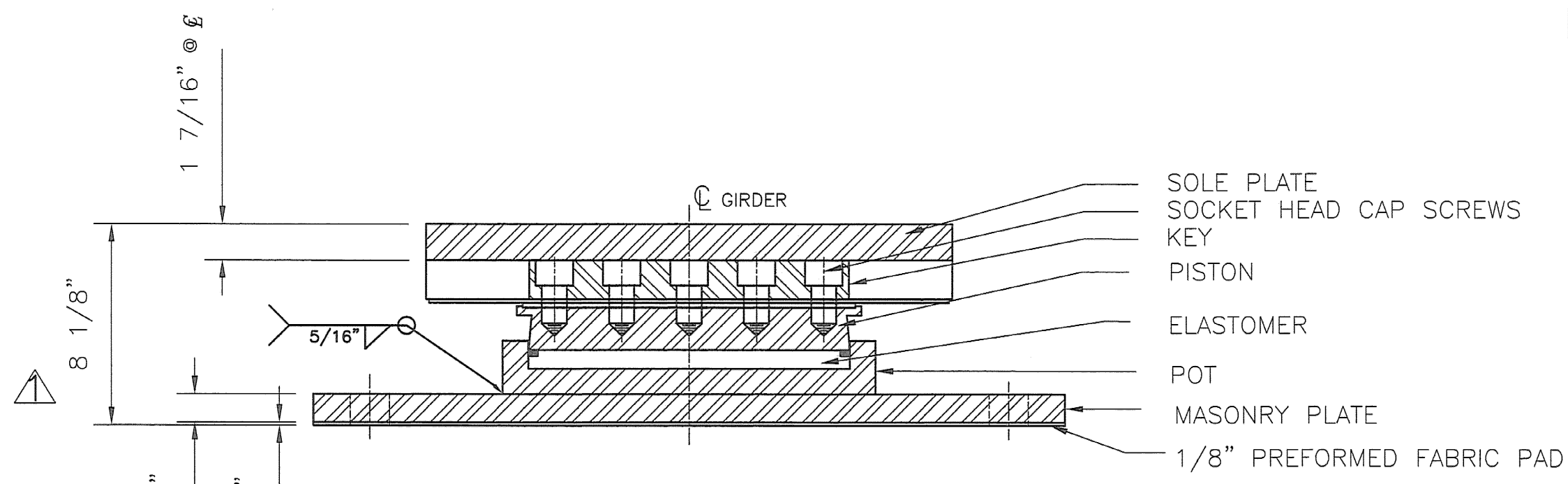
KEYWAY DETAIL



KEY DETAIL

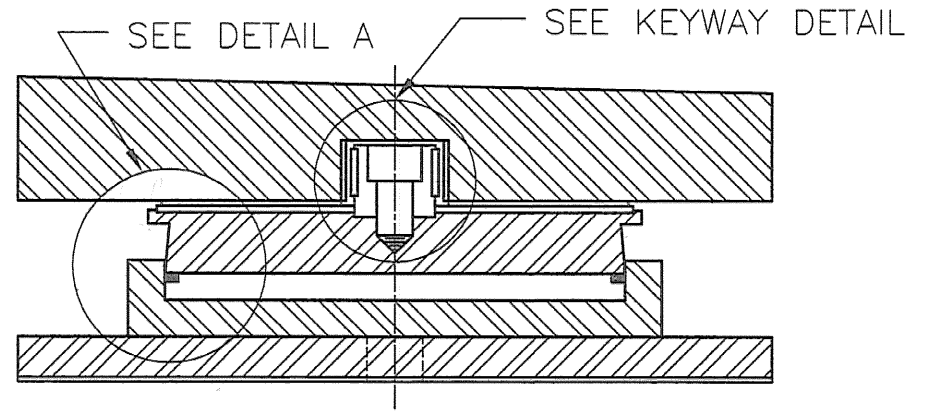


ANCHOR BOLT DETAIL



SECTION A-A  
COSMEC TRANSVERSE CENTER-GUIDED  
POT BEARING

LOCATION: PIER 1, GIRDER 1, 4 & 5  
 QUANTITY: 3  
 TOTAL VERTICAL CAPACITY= 450 KIPS  
 TOTAL HORIZONTAL CAPACITY= 90 KIPS  
 ROTATIONAL CAPACITY= .013 RADIAN



SECTION B-B

- BEARING MATERIALS
1. STEEL - ASTM A.709 GR 50 ZINC METALIZED
  2. BRASS SEALING RINGS - ASTM B.36 HALF HARD
  3. PREFORMED FABRIC PAD - AASHTO SPECIFICATION DIV.II SPEC. 18.4.9.1
  4. ELASTOMER - VIRGIN PLAIN NEOPRENE WITH HARDNESS OF 50 DUROMETER (+/- 5)
  5. STAINLES STEEL - ASTM A240 TYPE 304, #8 MIRROR FINISH
  6. SOCKET HEAD CAPSCREWS - ASTM A.574
  7. ANCHOR BOLTS - SEE DETAIL
  8. PTFE - ASTM D.4894 VIRGIN UNFILLED

- BEARING NOTES:
1. ANCHOR BOLTS AND ASSOCIATED HARDWARE SHALL BE GALVANIZED IN ACCORDANCE WITH ASTM M232
  2. LOCATION OF FABRICATION - 70 SOUTH STREET WALPOLE, MA 02081
  3. COSMEC, INC. REPRESENTATIVE: MR. MATT McANDREWS (508-668-6600)
  4. ALL BEARING DEVICES SHALL BE ZINC METALIZED AS PER SUBSECTION 531.04(b) AND 506.15(b). BEARINGS SHALL BE SEALED WITH AN APPROVED SEALER AS SPECIFIED IN STANDARD SPEC. SUBSECTION 506.15(b). AREAS OF METALIZING DAMAGED BY FIELD WELDING OR HANDLING SHALL BE PAINTED WITH AN APPROVED SEALANT.

5. ⊗ MARKS HIGH END OF BEVELED

STATE OF VERMONT  
 AGENCY OF TRANSPORTATION

ROUTE NO. VT 12 (MAJOR COLLECTOR),  
 BRIDGE NO. 42  
 TOWN OF RANDOLPH  
 ORANGE COUNTY  
 PROJECT BRF-0241(29)

RECEIVED  
 CK'D BY: TBS  
 JUN 06 2007  
 RESUBMIT: APPROVED  
 BY: WJS  
 DATE: 6/6/07

DYNAMIC RUBBER  
 A DIVISION OF COSMEC, INC.  
 1391 FLAT CREEK ROAD  
 BUILDING 5  
 ATHENS, TX 75751

SCALE: 3/16"=1"  
 SHEET 1 OF 4  
 DRAWN BY: MAE  
 DATE: 2/1/07  
 CHECKED BY: MCM  
 DATE: 2/21/07

COSMEC POT BEARINGS

REV. 1  
 REVISED SOLE PLATE SIDE ELEV., REVISED DETAIL A, SECTION B-B & OVERALL HEIGHT.  
 BY: MM  
 DATE: 6/1/07  
 CK'D: MCM  
 DATE: 6/1/07

CUSTOMER: WINTerset, INC.  
 S.O. NUMBER: 60689  
 DRAWING NUMBER: 5127  
 REV: 1