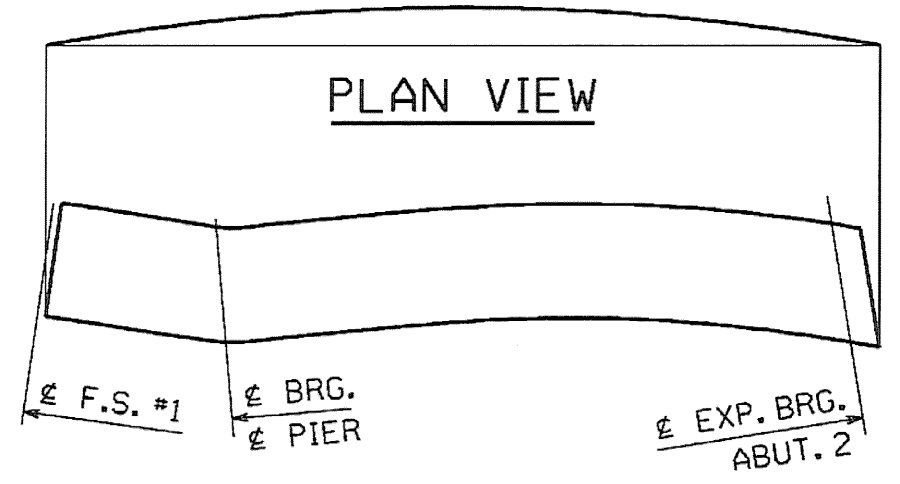
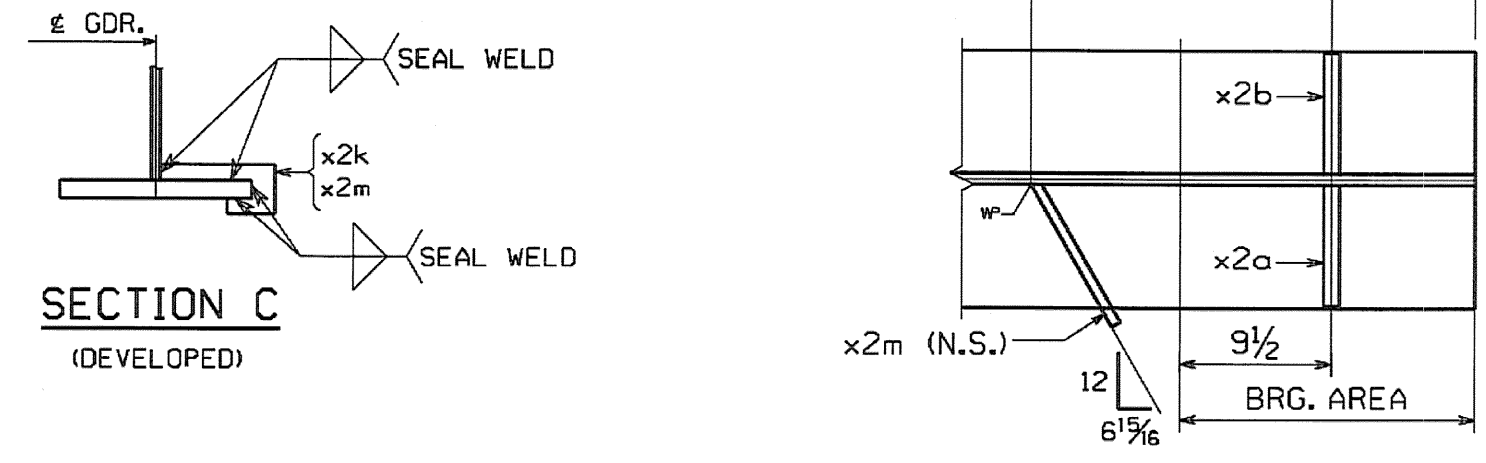


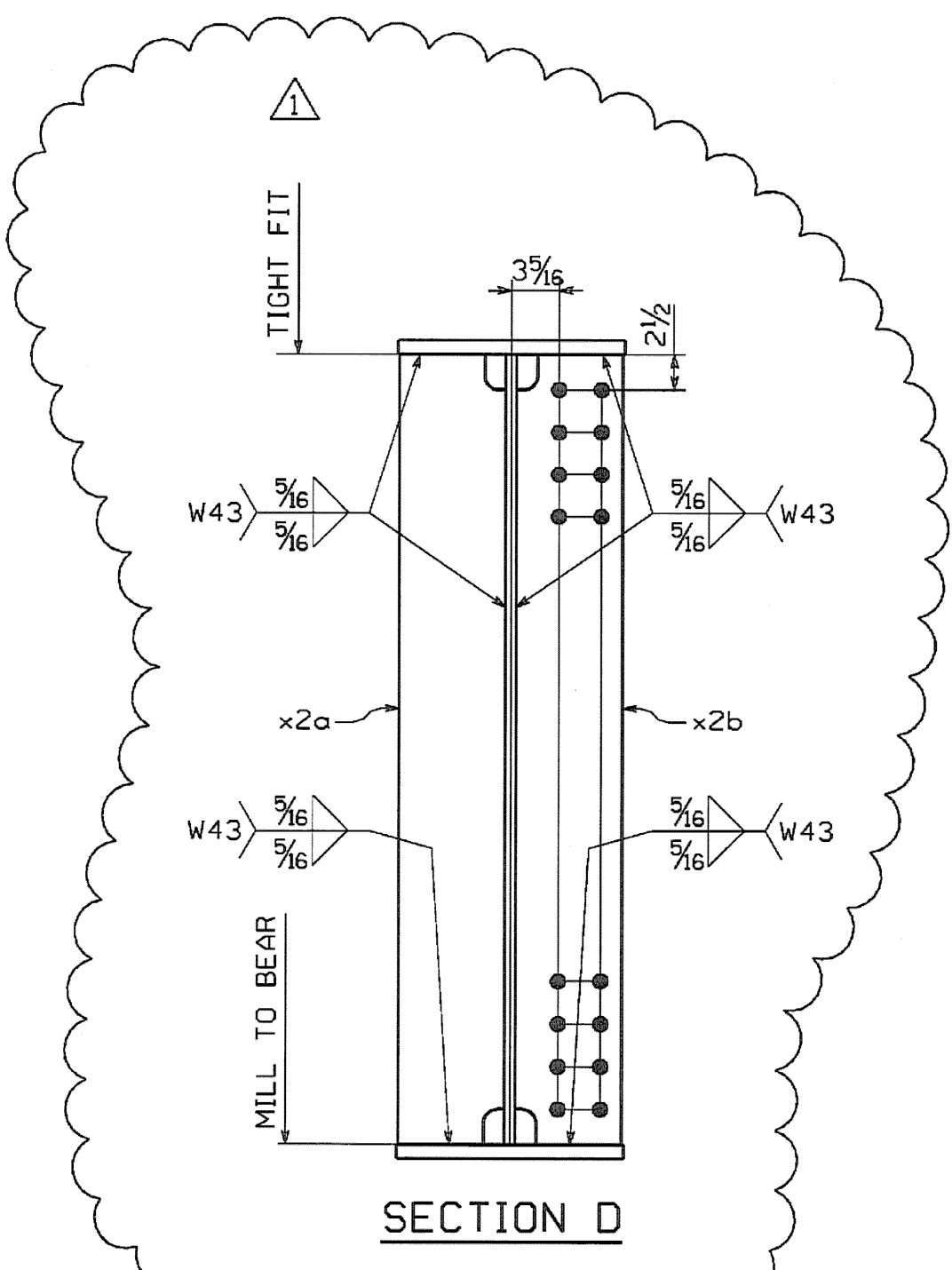
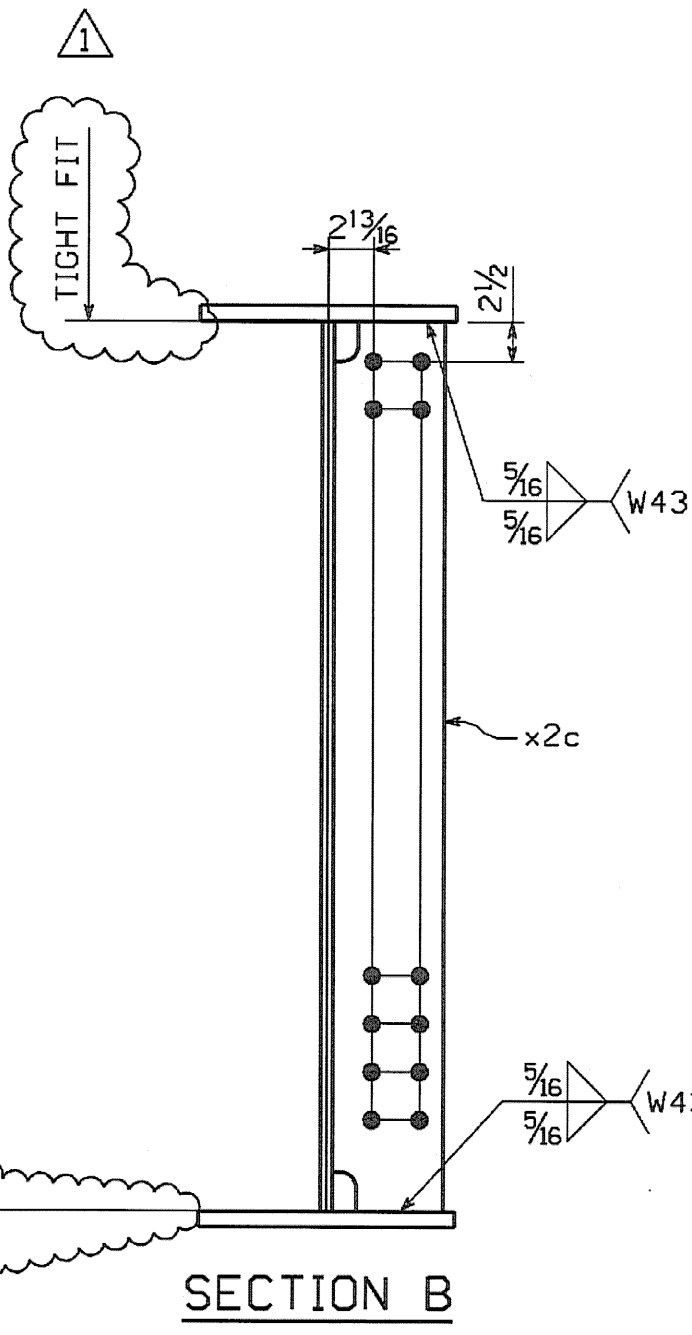
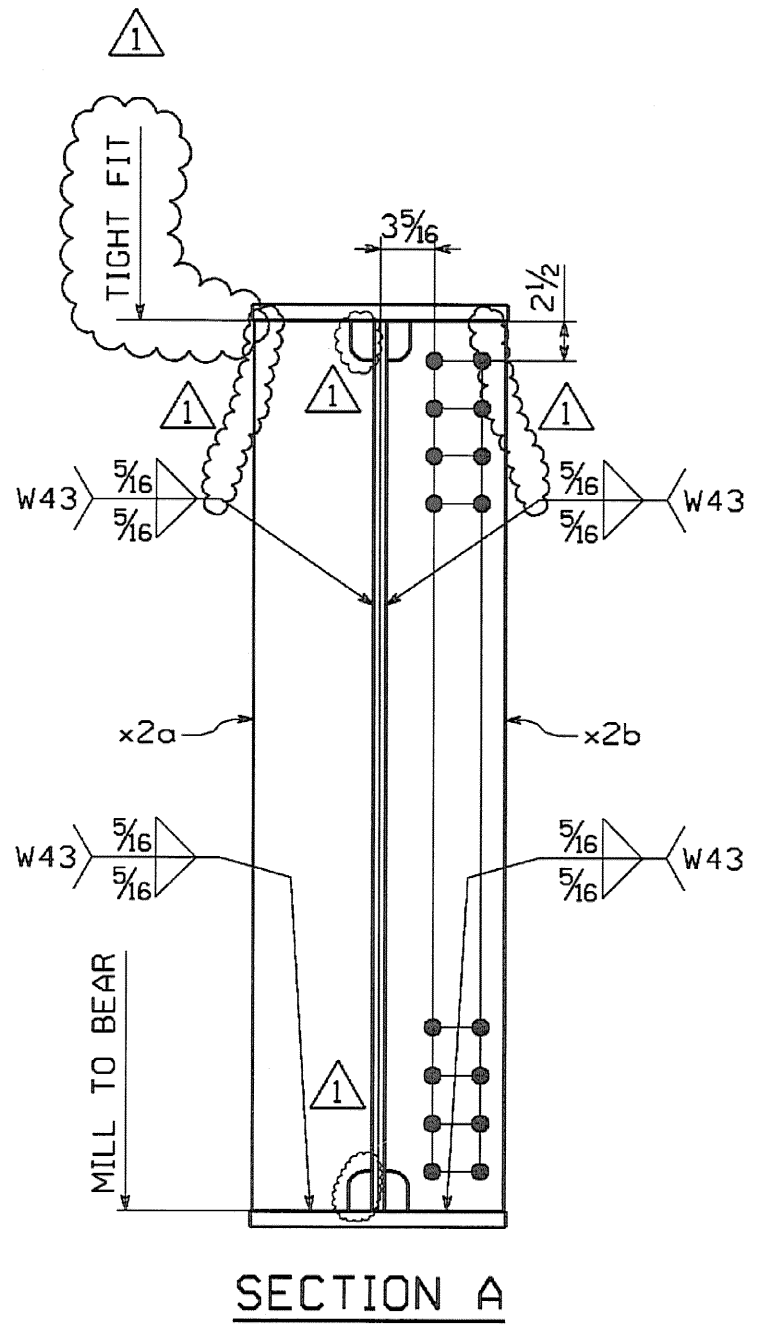
FED. ROAD DIV. NO.	STATE	FED. AID PROJ. NO.
	VT	

BILL OF MATERIAL													
QTY EA	MARK	COMM	DESCRIPTION	LENGTH	SPEC	GRADE	TEST	REMARKS	GRP	ITEM	GROSS WEIGHT EA	DEDUCTED WEIGHT EA	NET WEIGHT EA
1	G5B		GIRDER								31899.46	4.07	31895.39
1	w1	PL	5/8 x 56	57	11 7/8	M270	50W	T	3	4	6906.40	2.52	6903.88
1	w2	PL	5/8 x 56	66	1 3/8	M270	50W	T	3	10	7874.06	1.55	7872.51
1	t1	PL	1 1/2 x 16	52	5 7/16	M270	50W	T	4	5	4283.67	0.00	4283.67
1	t2	PL	1 x 16	35	9 1/2	M270	50W	T	4	13	1948.66	0.00	1948.66
1	t3	PL	1 x 16	35	9 11/16	M270	50W	T	4	13	1949.51	0.00	1949.51
1	b1	PL	1 1/2 x 16	52	6 3/16	M270	50W	T	4	5	4288.78	0.00	4288.78
1	b2	PL	1 x 16	35	9 1/2	M270	50W	T	4	13	1948.66	0.00	1948.66
1	b3	PL	1 x 16	35	9 7/16	M271	50W	T	4	13	1948.37	0.00	1948.37
2	x2a	PL	3/4 x 7 1/2	4	8	M270	50W		7	1	89.32	0.00	89.32
2	x2b	PL	3/4 x 7 1/2	4	8	M270	50W	T	7	1	89.32	0.00	89.32
7	x2c	PL	1/2 x 7	4	8	M270	50W	T	7	2	55.58	0.00	55.58
1	x2k	PL	1/4 x 3 1/2	0	10 7/8	M270	50W		7	4	2.70	0.00	2.70
1	x2m	PL	1/4 x 3	0	10 7/8	M270	50W		7	5	2.31	0.00	2.31
TOTAL WEIGHT THIS SHEET:											31895.39 lbs.		
TOTAL WEIGHT FOR BID ITEM NO. 0140 506.55:											297,576.98 lbs.		

GIRDER ~ MK. G5B



VIEW X



RECEIVED
 OK'D BY: *rcf* OK'D BY: _____
 JAN 30 2007
 RESUBMIT: _____ APPROVED: *rcf*
 BY: *wh* DATE: 1-31-2007

SHOP NOTE
HOLES: 1/16" (U.N.)
BOLTS: NONE
PAINT: NONE
 FOR GENERAL SHOP NOTES, SEE DWG. GNI.
 FOR WEB CAMBER DIAGRAM, SEE DWG. WCI.
 FOR HORIZ. CURVE DIAGRAM, SEE DWG. HCI.

NO.	REVISION	BY	DATE
1	ADD TIGHT FIT AND CHARPY TEST NOTES, ADD HOLES AND DIMS. FOR TELEPHONE SUPPORT. REMOVE WELD SYMBOL.	MAF	1-19-07

1770 Hempstead Road
 Lancaster, PA 17605-0008
 Phone 717/299-5211

HIGH STEEL STRUCTURES, INC.
 A Division of High Industries, Inc.

GIRDER	G5B
VT. 12 (MAIN ST.) OVER THIRD BRANCH OF THE WHITE RIVER	
VT. 12 STA. 15+36.00 TO STA. 17+36.00	
TOWN OF RANDOLPH, ORANGE COUNTY, VT. BRIDGE NO. 42	
STATE OF VERMONT	
AGENCY OF TRANSPORTATION	
STATE CONTRACT OR REF. NO.	PROJECT NO. RANDOLPH BR 0241 (29)
CONTRACTOR WINTERSET, INC.	
IN CHARGE: BRITIGAN (IH)	MADE BY: MAF
CHK'D. BY: CS	DATE: 11-10-06
CONTRACT NUMBER: VT-06215-1	DRAWING NUMBER: 14 OF 14