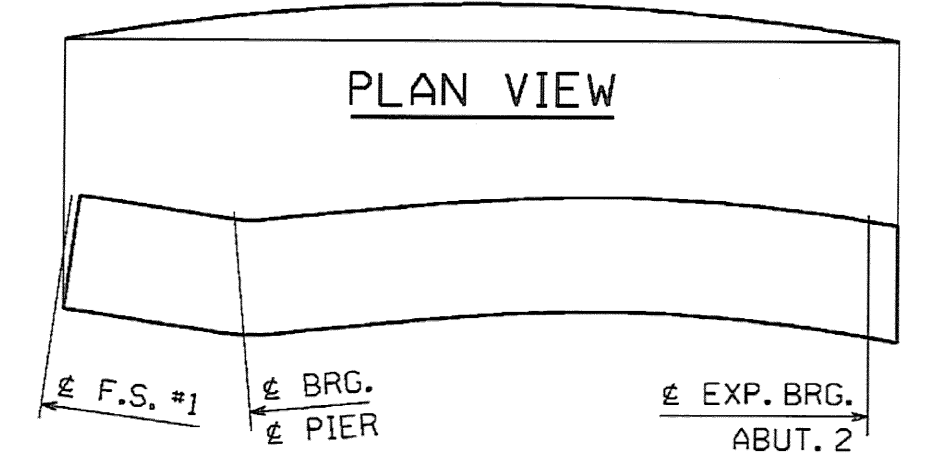
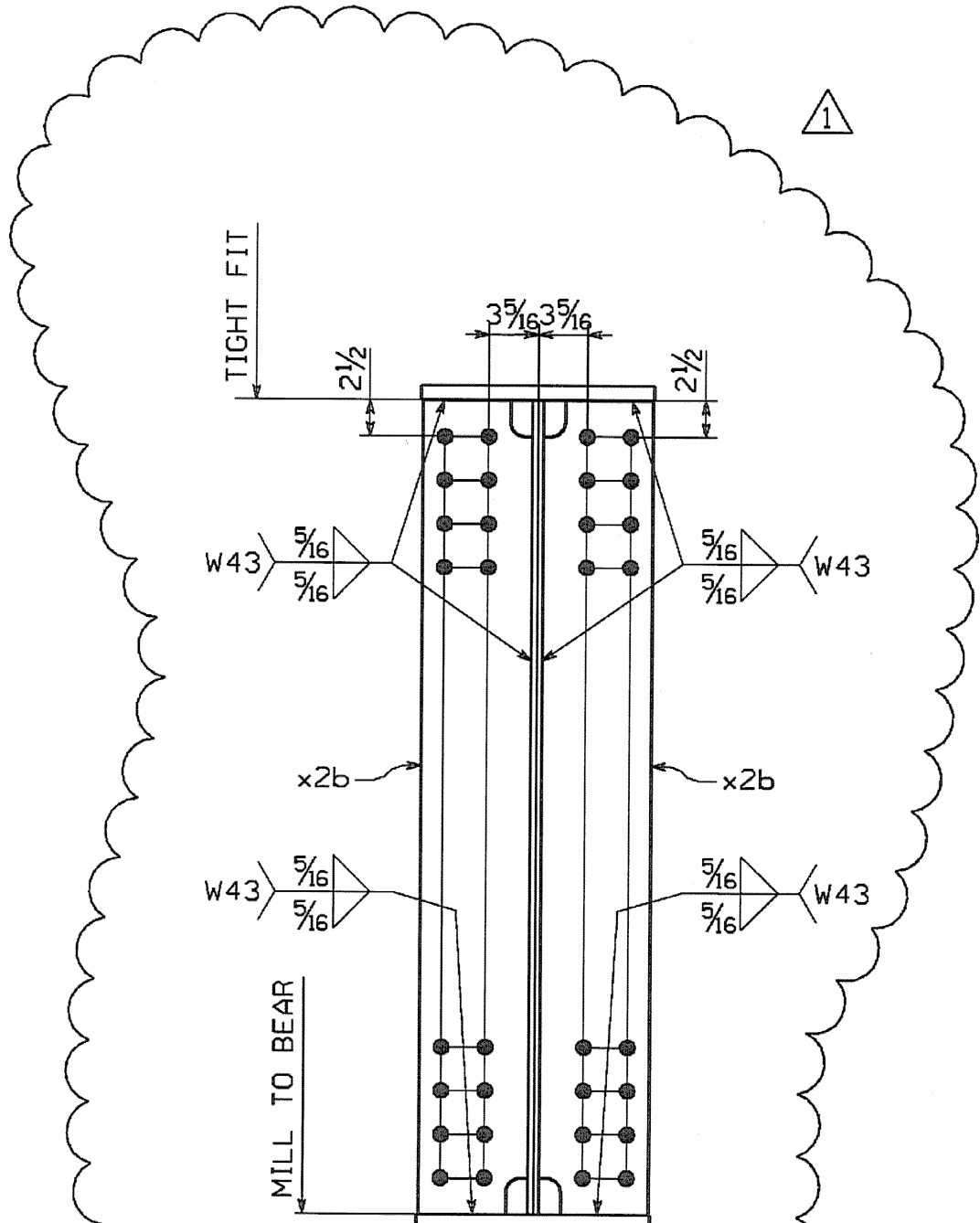
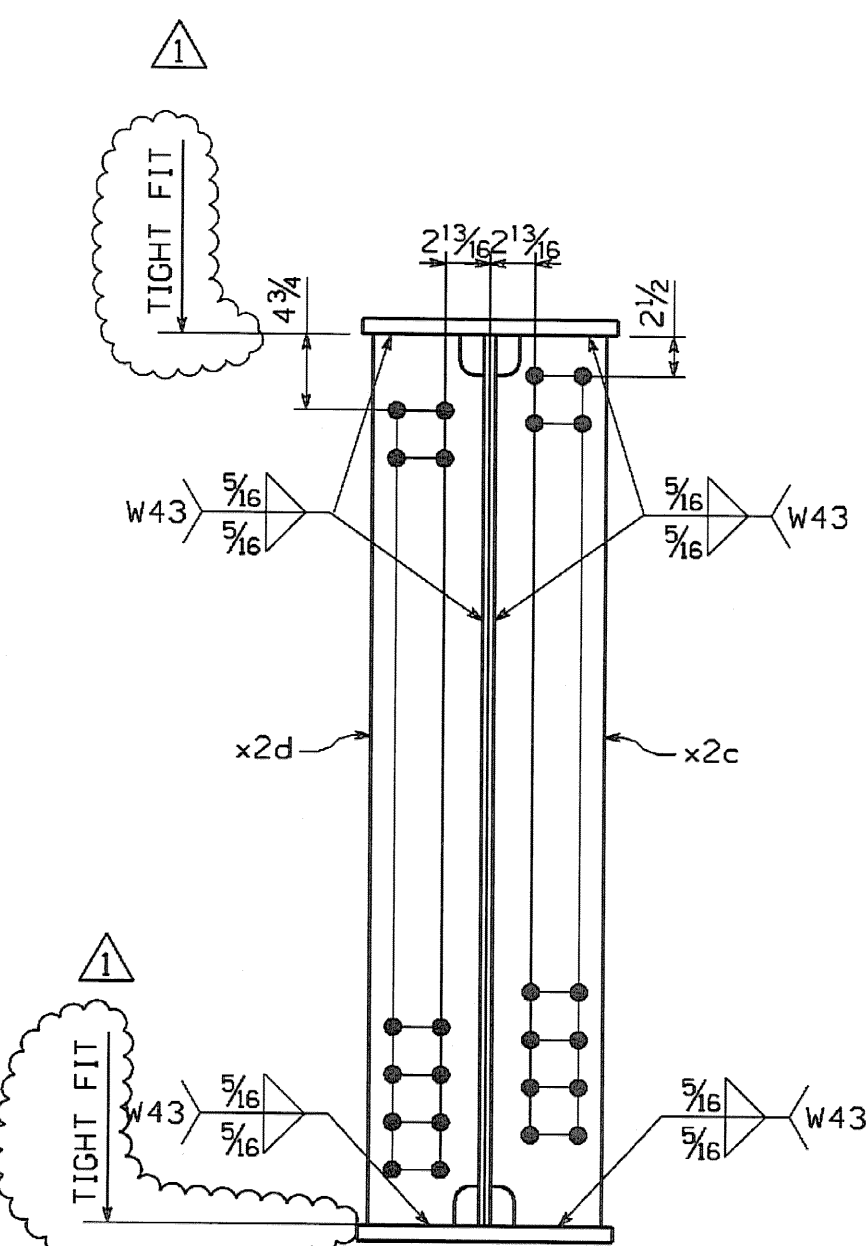
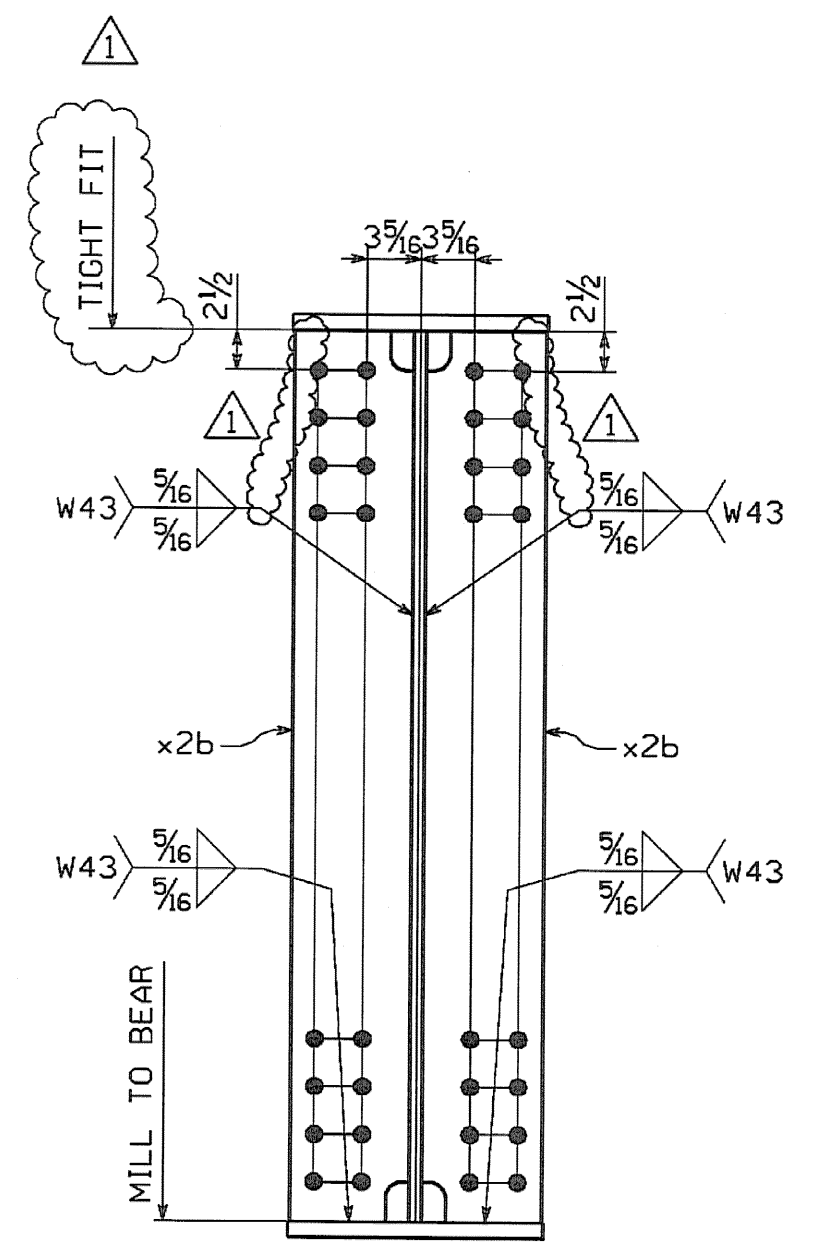
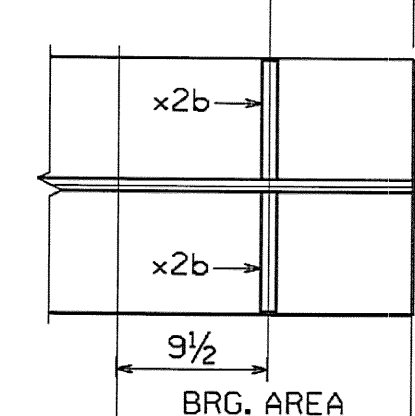
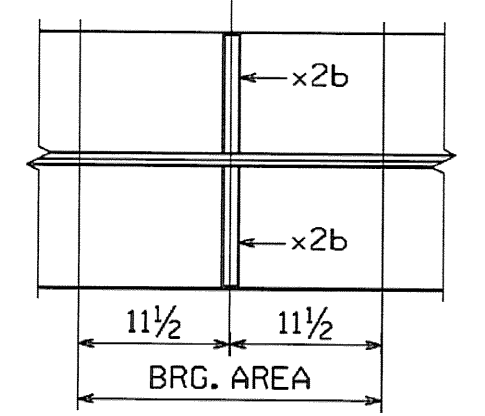
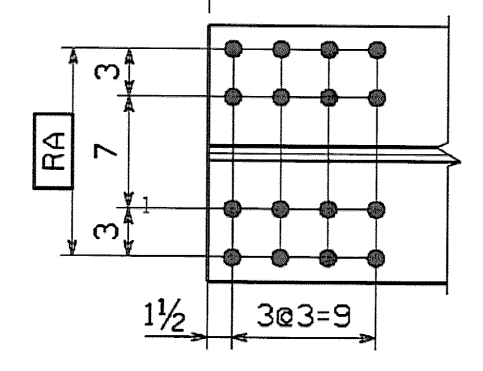


GIRDER ~ MK. G4B



ORIENTATION DIAGRAM

BILL OF MATERIAL													
QTY EA	MARK	COMM	DESCRIPTION	LENGTH	SPEC	GRADE	TEST	REMARKS	GRP	ITEM	GROSS WEIGHT EA	DEDUCTED WEIGHT EA	NET WEIGHT EA
1	G4B		GIRDER								32852.37	3.37	32849.00
1	w1	PL	5/8 x 56	58	11 15/16	M270	50W	T	3	4	7026.12	2.13	7023.99
1	w2	PL	5/8 x 56	67	3 3/16	M270	50W	T	3	9	8011.15	1.24	8009.91
1	t1	PL	1 1/2 x 16	53	10 7/16	M270	50W	T	4	4	4399.37	0.00	4399.37
1	t2	PL	1 x 16	36	2	M270	50W	T	4	12	1969.07	0.00	1969.07
1	i3	PL	1 x 16	36	2 1/8	M270	50W	T	4	12	1969.64	0.00	1969.64
1	b1	PL	1 1/2 x 16	53	11 1/8	M270	50W	T	4	4	4404.05	0.00	4404.05
1	b2	PL	1 x 16	36	2	M270	50W	T	4	12	1969.07	0.00	1969.07
1	b3	PL	1 x 16	36	1 7/8	M271	50W	T	4	12	1968.51	0.00	1968.51
4	x2b	PL	3/4 x 7 1/2	4	8	M270	50W	T	7	1	89.32	0.00	89.32
7	x2c	PL	1/2 x 7	4	8	M270	50W	T	7	2	55.58	0.00	55.58
7	x2d	PL	1/2 x 7	4	8	M270	50W	T	7	2	55.58	0.00	55.58

TOTAL WEIGHT THIS SHEET: 32849.00 lbs.

RECEIVED
 OK'D BY: *[Signature]* OK'D BY: _____
 JAN 30 2007
 RESUBMIT: _____ APPROVED: *[Signature]*
 BY: *[Signature]* DATE: 1-31-2007

SHOP NOTE

HOLES: 1 5/16" (U.N.)
 BOLTS: NONE
 PAINT: NONE
 FOR GENERAL SHOP NOTES, SEE DWG. GNI.
 FOR WEB CAMBER DIAGRAM, SEE DWG. WCI.
 FOR HORIZ. CURVE DIAGRAM, SEE DWG. HCI.

NO.	REVISION	BY	DATE
1770 Hempstead Road Lancaster, PA 17605-0008 Phone 717/299-5211 HIGH STEEL STRUCTURES, INC. A Division of High Industries, Inc.			
GIRDER		G4B	
VT. 12 (MAIN ST.) OVER THIRD BRANCH OF THE WHITE RIVER			
VT. 12 STA. 15+36.00 TO STA. 17+36.00			
TOWN OF RANDOLPH, ORANGE COUNTY, VT. BRIDGE NO. 42			
STATE OF VERMONT			
AGENCY OF TRANSPORTATION			
STATE CONTRACT OR REF. NO. PROJECT NO. RANDOLPH BR 0241 (29)			
CONTRACTOR WINTERSET, INC.			
IN CHARGE: BRITIGAN (IH)	MADE BY: MAF	CHK'D. BY: CS	DATE: 11-10-06
CONTRACT NUMBER: VT-06215-1		DRAWING NUMBER: 13 OF 14	