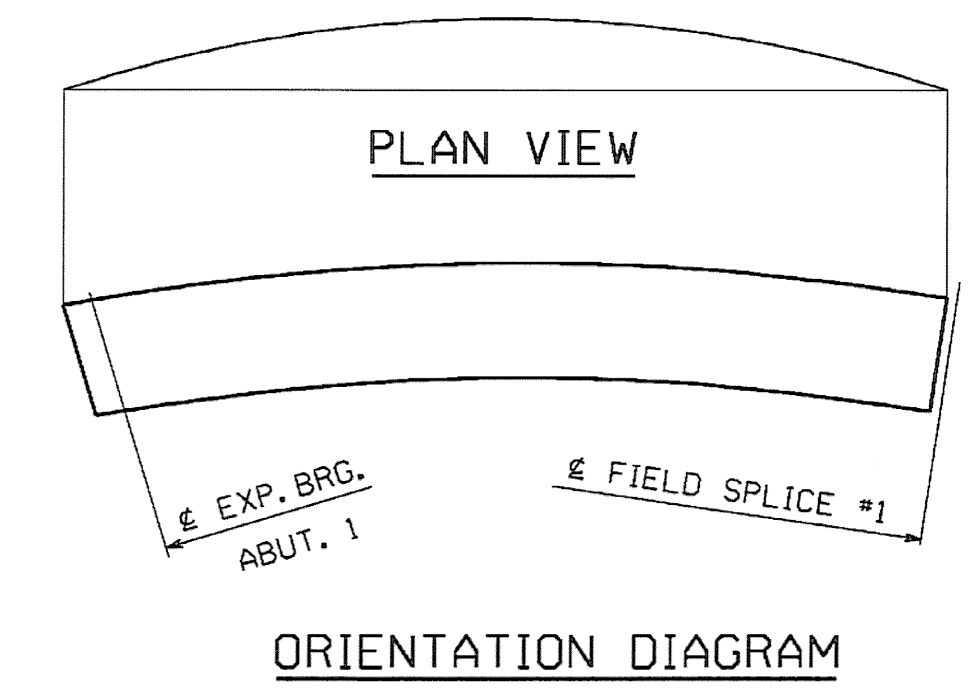
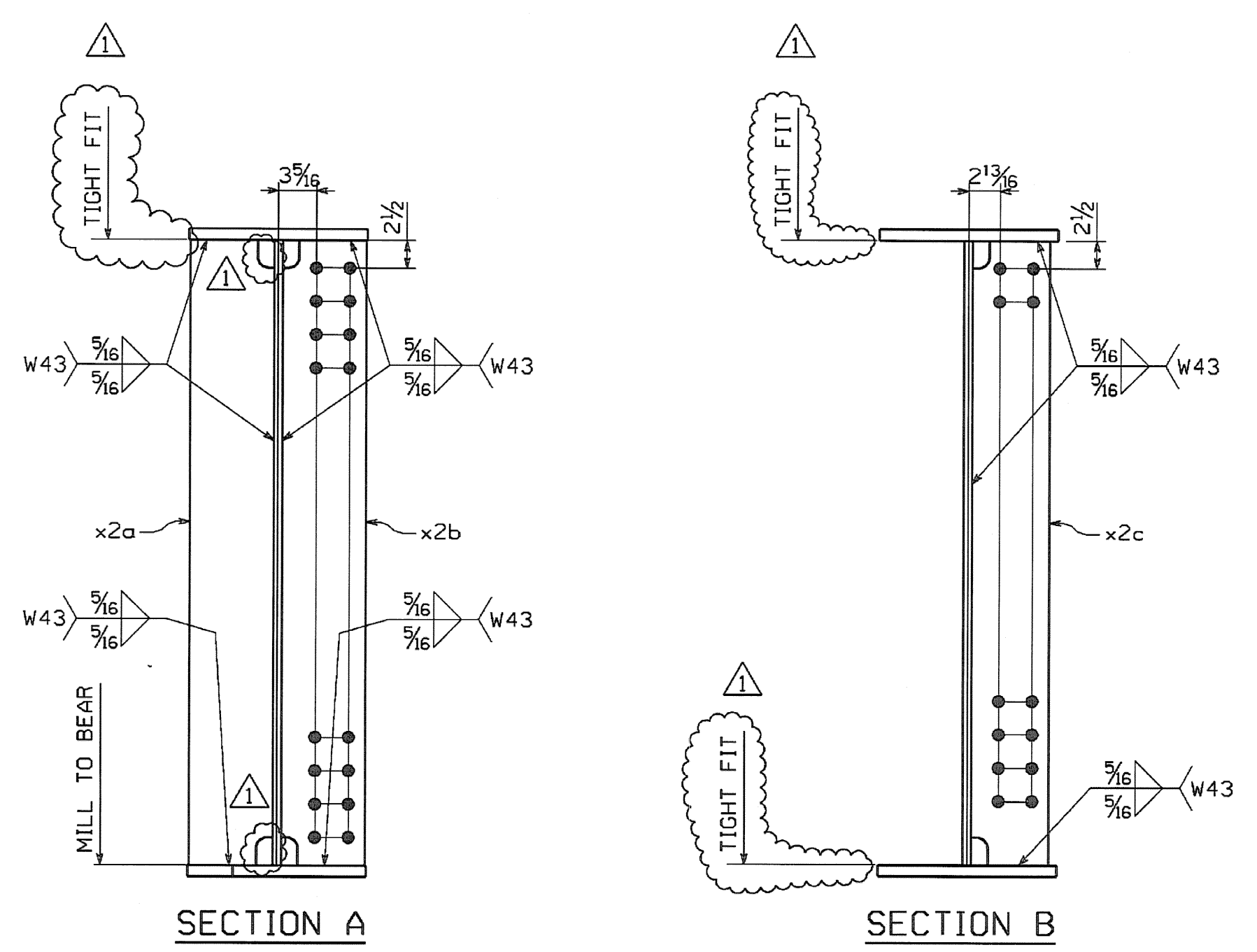
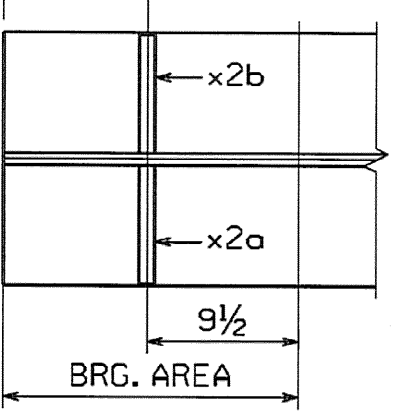
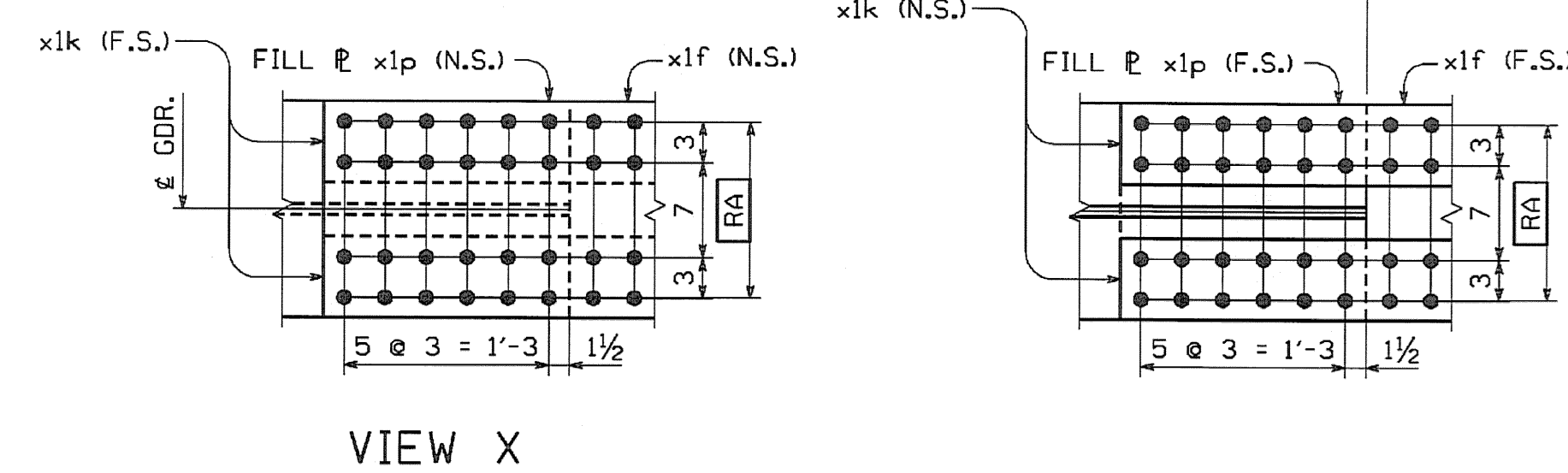


FED. ROAD DIV. NO.	STATE	FED. AID PROJ. NO.
	VT	

BILL OF MATERIAL													
QTY EA	MRK	COMB	DESCRIPTION	LENGTH	SPEC	GRADE	TEST	REMARKS	GRP	ITEM	GROSS WEIGHT EA	DEDUCTED WEIGHT EA	NET WEIGHT EA
1	G5A		GIRDER								17198.60	4.85	17193.75
1	w1	PL	5/8 x 56	71 7 5/8	M270	50W	T		3	7	8531.58	4.85	8526.73
1	t1	PL	1 x 16	35 10 1/4	M270	50W	T		4	13	1952.06	0.00	1952.06
1	t2	PL	1 x 16	35 9 3/8	M270	50W	T		4	13	1948.09	0.00	1948.09
1	b1	PL	1 x 16	35 6 5/16	M270	50W	T		4	13	1934.20	0.00	1934.20
1	b2	PL	1 x 16	35 9 3/8	M270	50W	T		4	13	1948.09	0.00	1948.09
2	x1b	PL	1/2 x 42	1 6 1/4	M270	50W	T		6	2	108.68	0.00	108.68
2	x1f	PL	1/2 x 16	2 6 1/4	M270	50W	T		6	3	68.62	0.00	68.62
4	x1k	PL	1/2 x 6	2 6 1/4	M270	50W	T		6	4	25.73	0.00	25.73
2	x1p	PL	1/2 x 16	1 6	M270	50W	T	FILL PL	6	6	40.83	0.00	40.83
1	x2a	PL	3/4 x 7 1/2	4 8	M270	50W			7	1	89.32	0.00	89.32
1	x2b	PL	3/4 x 7 1/2	4 8	M270	50W	T		7	1	89.32	0.00	89.32
3	x2c	PL	1/2 x 7	4 8	M270	50W	T		7	2	55.58	0.00	55.58
TOTAL WEIGHT THIS SHEET:											17193.75 lbs.		



RECEIVED  
 OK'D BY: *RF* OK'D BY: \_\_\_\_\_  
 JAN 30 2007  
 RESUBMIT: \_\_\_\_\_ APPROVED: *RF*  
 BY: *WY* DATE: 1-31-2007

**SHOP NOTE**  
**HOLES:** 1 5/16" (U.N.)  
**BOLTS:** NONE  
**PAINT:** NONE  
 FOR GENERAL SHOP NOTES, SEE DWG. GNI.  
 FOR WEB CAMBER DIAGRAM, SEE DWG. WCI.  
 FOR HORIZ. CURVE DIAGRAM, SEE DWG. HCI.

1	ADD TIGHT FIT AND CHARPY TEST NOTES, ADD HOLES AND DIMS. FOR TELEPHONE SUPPORT	MAF	1-19-07
NO.	REVISION	BY	DATE
 1770 Hempstead Road Lancaster, PA 17605-0008 Phone 717/299-5211 A Division of High Industries, Inc.			
GIRDER		G5A	
VT. 12 (MAIN ST.) OVER THIRD BRANCH OF THE WHITE RIVER			
VT. 12 STA. 15+36.00 TO STA. 17+36.00			
TOWN OF RANDOLPH, ORANGE COUNTY, VT. BRIDGE NO. 42			
STATE OF VERMONT			
AGENCY OF TRANSPORTATION			
STATE CONTRACT OR REF. NO.	PROJECT NO. RANDOLPH BR 0241 (29)		
CONTRACTOR WINTERSET, INC.			
IN CHARGE: BRITIGAN (IH)	MADE BY: MAF	CHK'D BY: CG	DATE: 11-10-06
CONTRACT NUMBER: VT-06215-1	DRAWING NUMBER: 9 OF 14		

PLOTTED: 01/22/07 03:30:27 PM  
 BY: *astley*