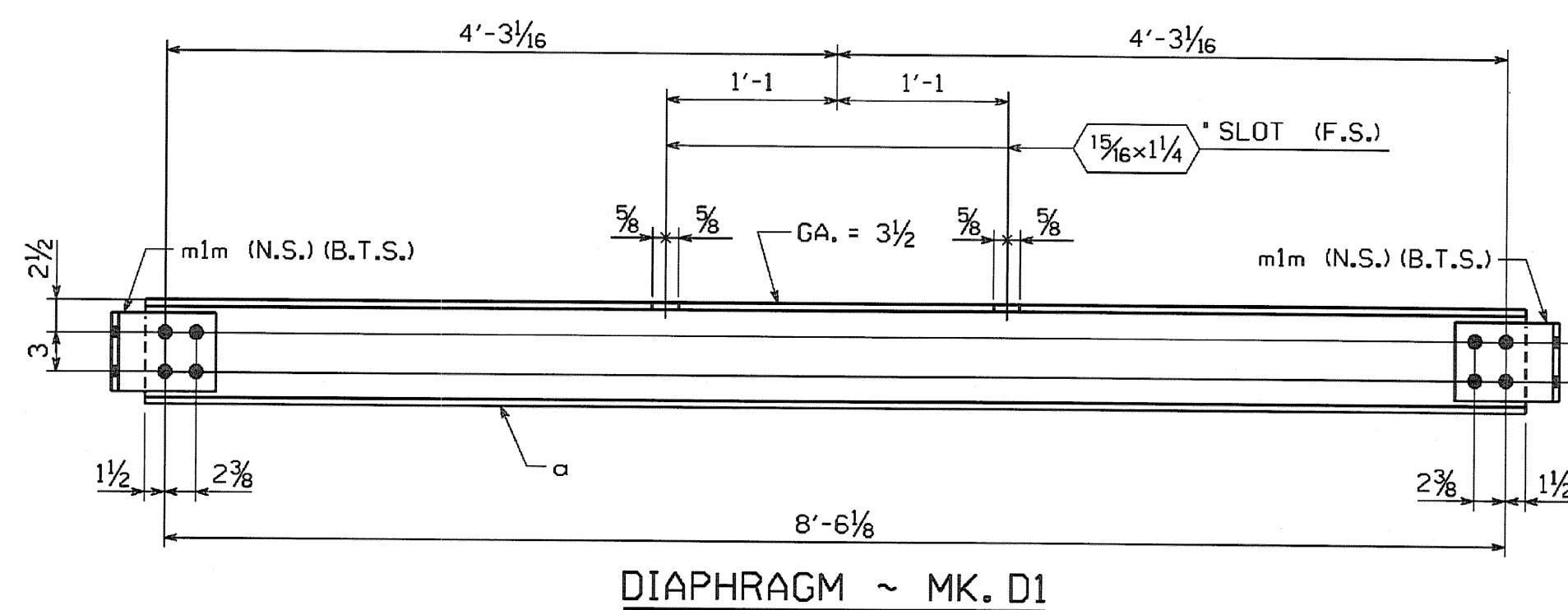
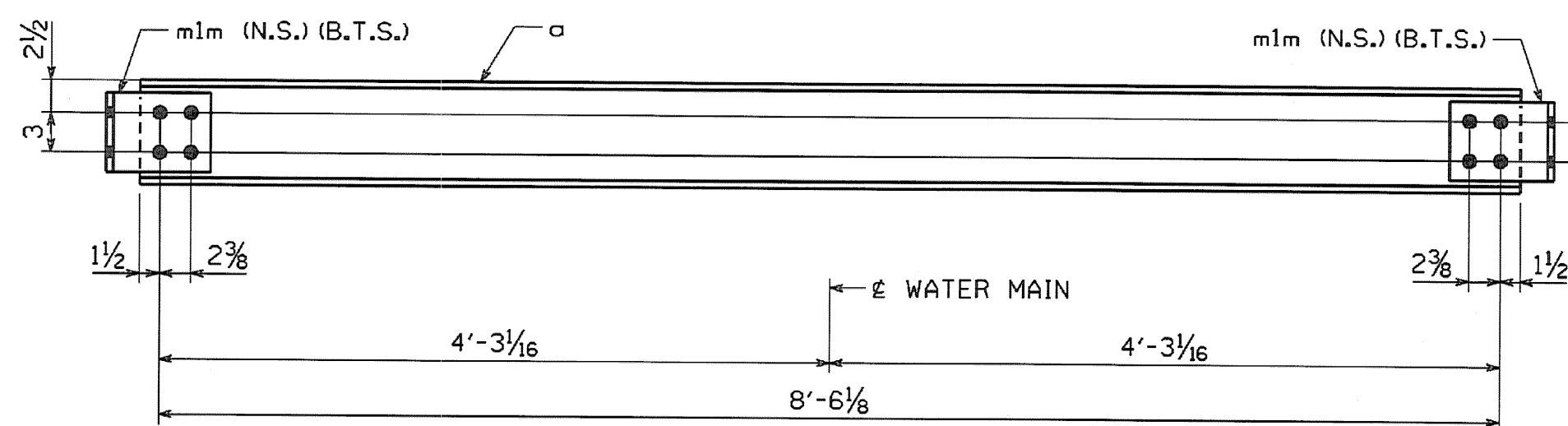


ENGLISH



DIAPHRAGM ~ MK. D1



DIAPHRAGM ~ MK. D2

FED. ROAD DIV. NO.	STATE	FED. AID PROJ. NO.
	VT	

BILL OF MATERIAL														
SHP	QTY EA	MARK	COMM	DESCRIPTION	LENGTH	SPEC	GRADE	TEST	REMARKS	GRP	ITEM	GROSS WEIGHT EA	DEDUCTED WEIGHT EA	NET WEIGHT EA
1	18	D1		DIAPHRAGMS								230.25	0.00	230.25
	18	a	W	8 x 24	8 9 1/8	M270	50W				10 1	210.25	0.00	210.25
	36	m1m	WT	8 x 20	0 6	M270	50W	(B.T.S.)			10 2	10.00	0.00	10.00
1	20	D2		DIAPHRAGMS								230.25	0.00	230.25
	20	a	W	8 x 24	8 9 1/8	M270	50W				10 1	210.25	0.00	210.25
	40	m1m	WT	8 x 20	0 6	M270	50W	(B.T.S.)			10 2	10.00	0.00	10.00
TOTAL WEIGHT THIS SHEET:												8749.50 lbs.		

RECEIVED  
 CK'D BY *kt* ON'D BY \_\_\_\_\_  
 JAN 30 2007  
 RESUBMIT \_\_\_\_\_ APPROVED *kt*  
 BY *wjy* DATE 1-31-2007

NO.	REVISION	BY	DATE
1770 Hempstead Road Lancaster, PA 17605-0008 Phone 717/299-5211 <b>HIGH STEEL STRUCTURES, INC.</b> A Division of High Industries, Inc.			
DIAPHRAGMS D1 & D2			
VT. 12 (MAIN ST.) OVER THIRD BRANCH OF THE WHITE RIVER			
VT. 12 STA. 15+36.00 TO STA. 17+36.00			
TOWN OF RANDOLPH, ORANGE COUNTY, VT. BRIDGE NO. 42			
STATE OF VERMONT			
AGENCY OF TRANSPORTATION			
STATE CONTRACT OR REF. NO. PROJECT NO. RANDOLPH BR 0241 (29)			
CONTRACTOR WINTERSET, INC.			
IN CHARGE: BRITIGAN (IH)	MADE BY: RC	CHK'D BY: CS	DATE: 11/6/06
CONTRACT NUMBER: VT-06215-1		DRAWING NUMBER: 4 OF 14	

**SHOP NOTE**

**HOLES:** 1 5/16" (U.N.)  
**BOLTS:** NONE  
**PAINT:** NONE  
 FOR GENERAL SHOP NOTES, SEE DWG. GNI.

BY: cshuff  
 PLOTTED: 11/13/06 10:54:07 AM