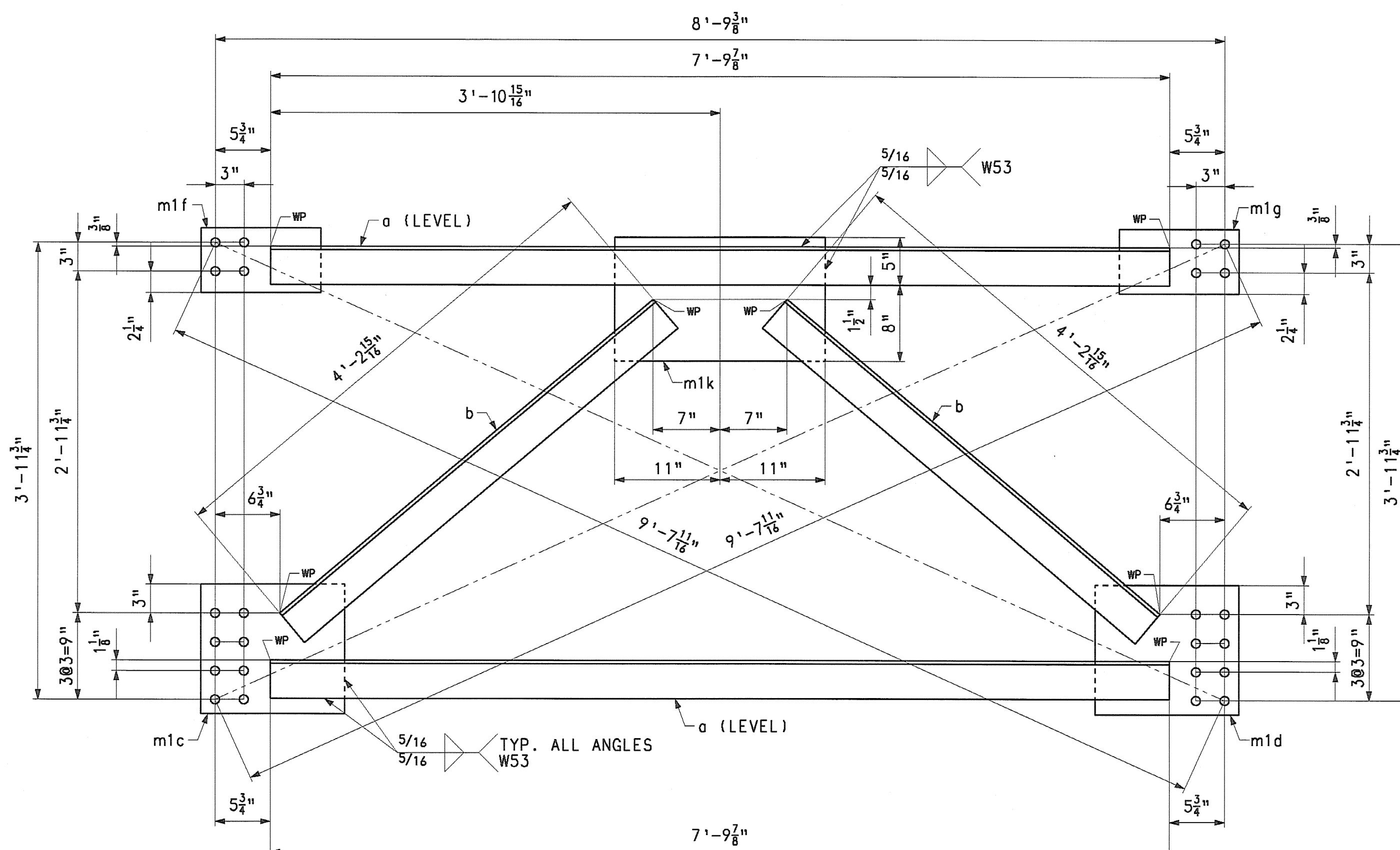


CROSSFRAME MK. CF5



CROSSFRAME MK. CF10

BILL OF MATERIAL

SHIP	QTY EA.	MARK	COMM	DESCRIPTION	LENGTH	SPEC	GRADE	TEST	REMARKS	GRP	ITEM	GROSS WEIGHT EA.	DEDUCTED WEIGHT EA.	NET WEIGHT EA.
I	I	CF5		CROSSFRAME								454.52		454.52
I	I	a	C	8 x 18.75	7	8 15/16	M270	50W	T		11 1	145.21		145.21
I	I	b	L	4 x 4 x 3/8	7	8 15/16	M270	50W	T		11 2	75.28		75.28
I	I	c	L	4 x 4 x 3/8	4	0 3/16	M270	50W	T		11 2	39.03		39.03
I	I	d	L	4 x 4 x 3/8	4	1 15/16	M270	50W	T		11 2	40.45		40.45
I	I	m1a	PL	1/2 x 12	1	3	M270	50W	T		11 3	25.52		25.52
I	I	m1b	PL	1/2 x 12	1	3	M270	50W	T		11 3	25.52		25.52
I	I	m1c	PL	1/2 x 13 1/2	1	3	M270	50W	T		11 3	28.71		28.71
I	I	m1d	PL	1/2 x 13 1/2	1	3	M270	50W	T		11 3	28.71		28.71
I	I	m1h	PL	1/2 x 13	2	1	M270	50W	T		11 3	46.08		46.08
I	40	CF10		CROSSFRAMES								356.49		356.49
I	80	a	L	4 x 4 x 3/8	7	9 7/8	M270	50W	T		11 2	76.04		76.04
I	80	b	L	4 x 4 x 3/8	4	2 15/16	M270	50W	T		11 2	41.26		41.26
I	40	m1c	PL	1/2 x 13 1/2	1	3	M270	50W	T		11 3	28.71		28.71
I	40	m1d	PL	1/2 x 13 1/2	1	3	M270	50W	T		11 3	28.71		28.71
I	40	m1f	PL	1/2 x 6 3/4	1	0 1/2	M270	50W	T		11 3	11.96		11.96
I	40	m1g	PL	1/2 x 6 3/4	1	0 1/2	M270	50W	T		11 3	11.96		11.96
I	40	m1k	PL	1/2 x 13	1	10	M270	50W	T		11 3	40.55		40.55

TOTAL WEIGHT THIS SHEET: 14714.27 lbs.

RECEIVED
 OK'D BY: *KJ* OK'D BY: _____
 JAN 30 2007
 RESUBMIT: _____ APPROVED: *KJ*
 BY: *WJ* DATE: 1-31-2007

NO.	REVISION	BY	DATE

1770 Hempstead Road
 Lancaster, PA 17605-0008
 Phone 717/299-9211

HIGH STEEL STRUCTURES, INC. **HS**
 A Division of High Industries, Inc.

CROSSFRAMES CF5 & CF10
 VT. 12 (MAIN ST.) OVER THIRD BRANCH OF THE WHITE RIVER
 VT. 12 STA. 15+36.00 TO STA. 17+36.00
 TOWN OF RANDOLPH, ORANGE COUNTY, VT. BRIDGE NO. 42
 STATE OF VERMONT
 AGENCY OF TRANSPORTATION

STATE CONTRACT OR REF. NO. PROJECT NO. RANDOLPH BR 0241 (29)
 CONTRACTOR: WINTERSET, INC.
 IN CHARGE: BRITIGAN (IH) MADE BY: RC CHK'D. BY: CS DATE: 11/8/06
 CONTRACT NUMBER: VT-06215-1 DRAWING NUMBER: 3 OF 14

NOTES:
 HOLES: 15/16" Ø
 BOLTS: NONE
 PAINT: NONE
 FOR GENERAL SHOP NOTES, SEE DWG. GN1.

CODE: 63