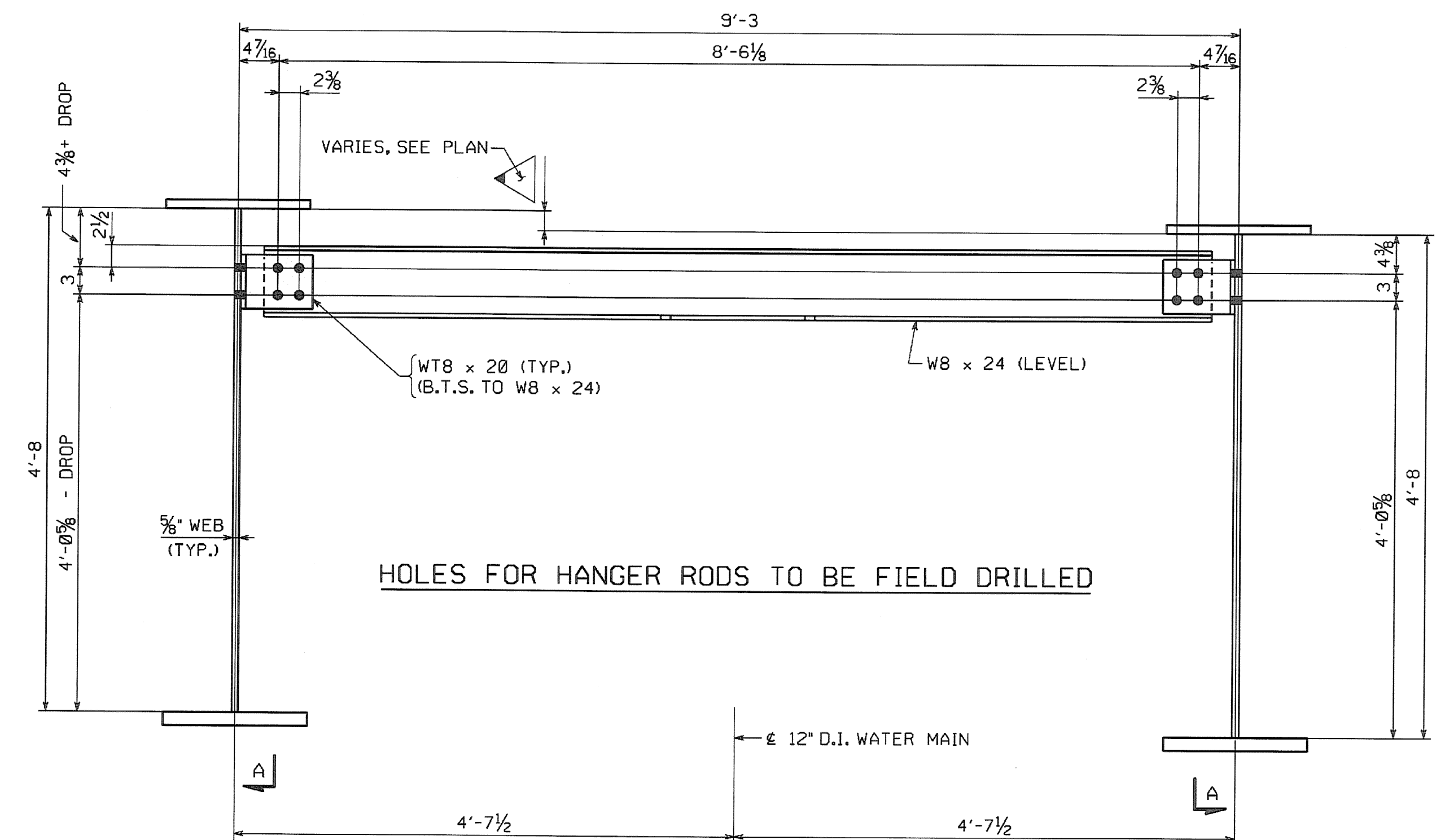


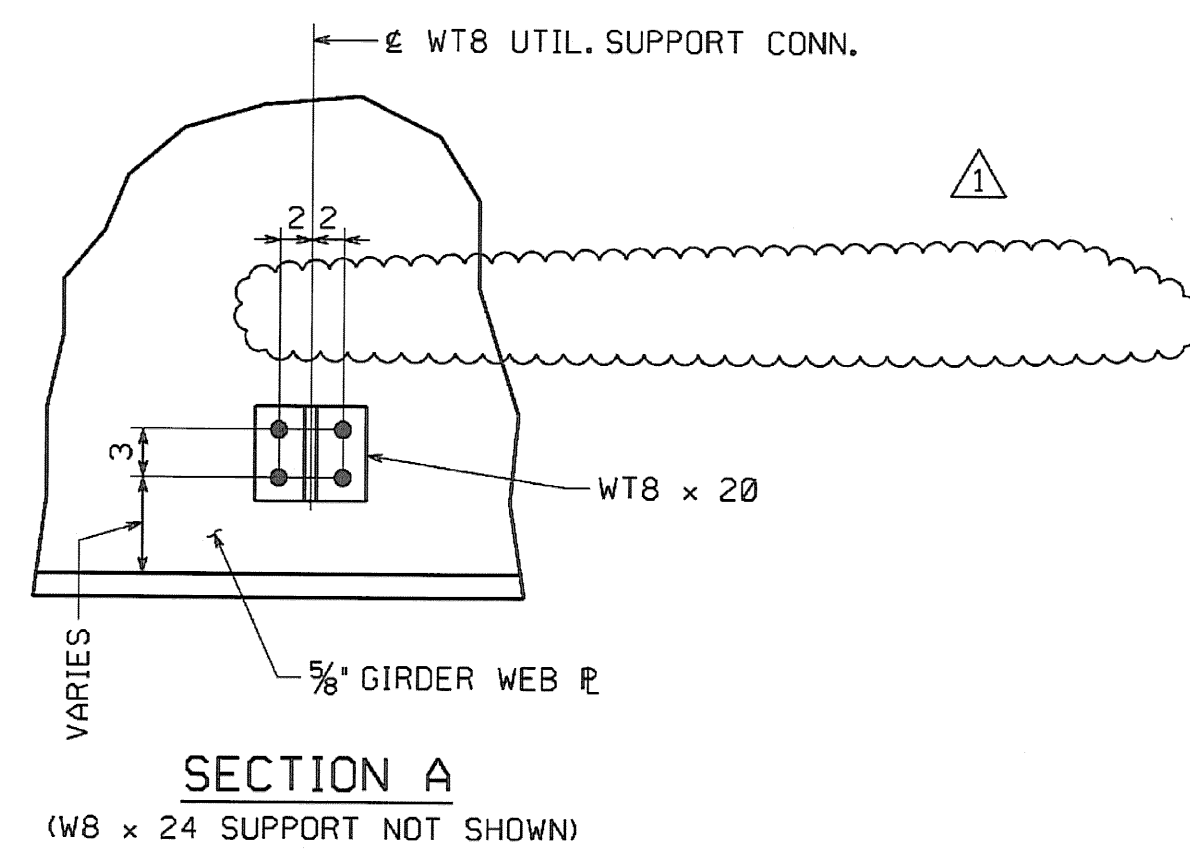
TYP. TELEPHONE CONDUIT SUPPORT  
(LOOKING BACKSTATIONS)

3/4"  $\phi$  SUPPORT RODS AND RELATED SUPPORT BRACKET HARDWARE ARE NOT BY H.S.S.I.



TYP. WATER MAIN SUPPORT  
(LOOKING BACKSTATIONS)

1"  $\phi$  HANGER RODS, HARDWARE AND OTHER SADDLE MATERIAL ARE NOT BY H.S.S.I.



SECTION A  
(W8 x 24 SUPPORT NOT SHOWN)

**NOTES:**

FOR NOTES, SEE DRAWING WS1.  
WORK THIS DRAWING WITH DRAWING WS1.

**\*\*NOTE\*\***

THE PURPOSE OF THIS DRAWING IS TO COORDINATE GEOMETRIC CONTROL INFORMATION. THIS DRAWING IS SUBMITTED FOR INFORMATION ONLY AND IS NOT INTENDED FOR SHOP FABRICATION. THIS DRAWING IS FOR REFERENCE ONLY, APPROVAL IS NOT REQUIRED.

RECEIVED  
OK'D BY: *RF* OK'D BY: \_\_\_\_\_  
JAN 30 2007  
RESUBMIT: \_\_\_\_\_ APPROVED: *RF*  
BY: *WR* DATE: 1-31-2007

1	REMOVE FIELD DRILL NOTE	MAF	1-19-07
NO.	REVISION	BY	DATE

1770 Hempstead Road  
Lancaster, PA 17605-0008  
Phone 717/299-5211

**HIGH STEEL STRUCTURES, INC.**

TYPICAL DETAILS - UTILITY SUPPORT LAYOUTS  
VT. 12 (MAIN ST.) OVER THIRD BRANCH OF THE WHITE RIVER  
VT. 12 STA. 15+36.00 TO STA. 17+36.00  
TOWN OF RANDOLPH, ORANGE COUNTY, VT. BRIDGE NO. 42  
STATE OF VERMONT  
AGENCY OF TRANSPORTATION

STATE CONTRACT OR REF. NO. PROJECT NO. RANDOLPH BR 0241 (29)  
CONTRACTOR: WINTERSET, INC.  
IN CHARGE: BRITIGAN (IH) MADE BY: WBW CHK'D. CS DATE: 11-6-06  
CONTRACT NUMBER: VT-06215-1 DRAWING NUMBER: TD2 OF TD2