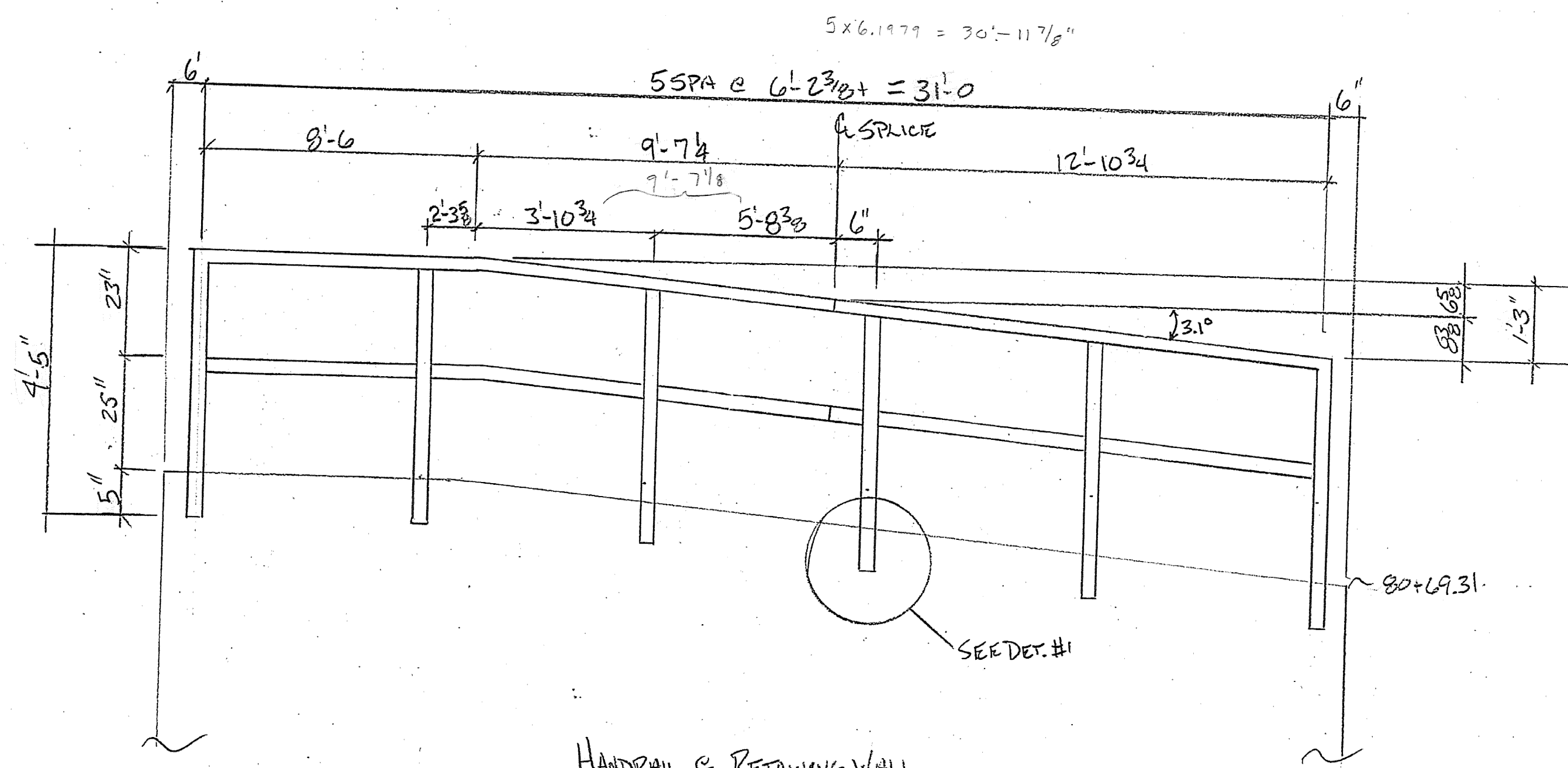
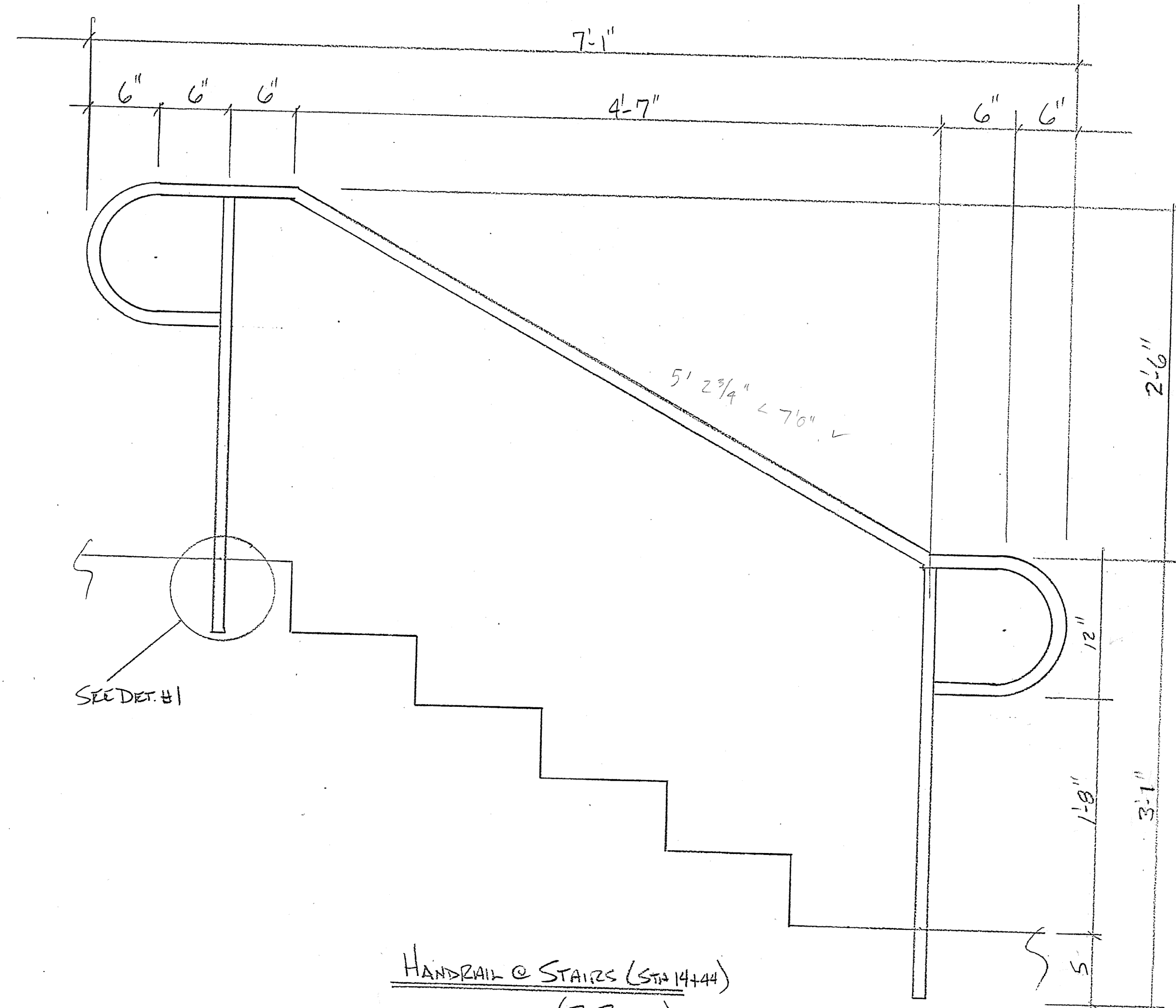


HANDRAILS @ RT12A (STA 51100 TO 51.571R)



HANDRAIL @ RETAINING WALL

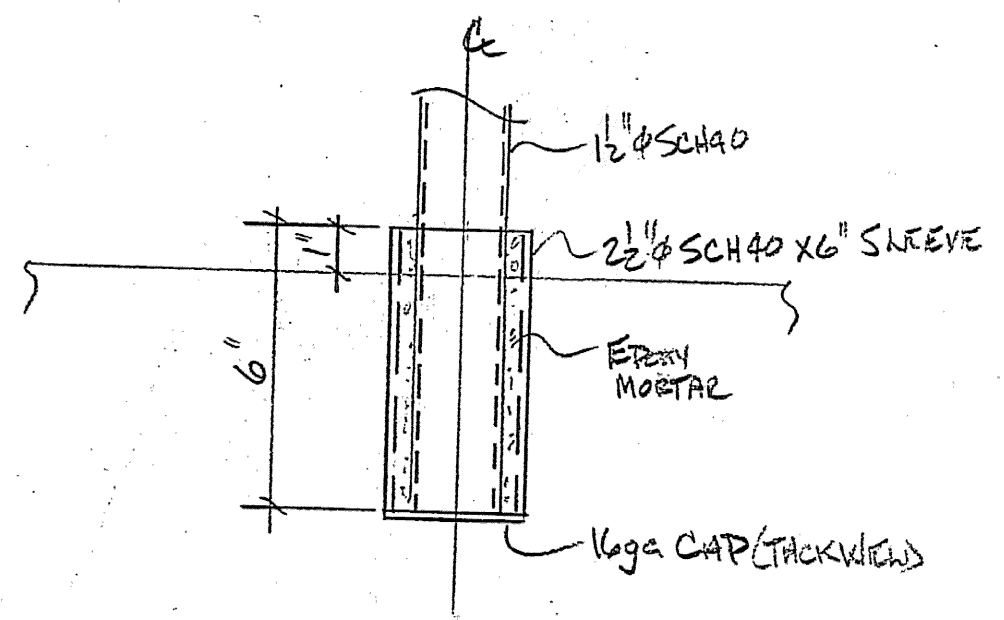


HANDRAIL @ STAIRS (STA 1444)  
(2 REAR)

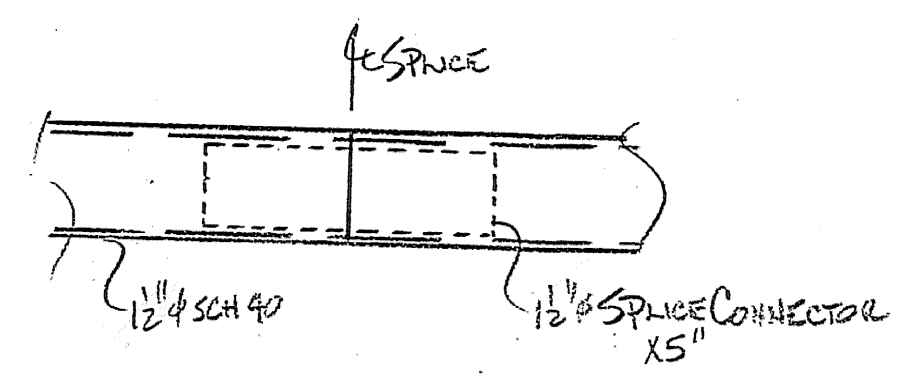
ADD

PAINT  
 SHERWIN WILLIAMS  
 PRIMER: COROTHANE I GALVA-PAC ONE PACK  
 ZINC PRIMER 3-4 MILS  
 TOP COAT: FAST CLAD URETHANE 6-9 MILS  
 COLOR: BLACK FEDERAL STANDARD No 595  
 COLOR CHIP No. 2703B

NOTE - ALL PIPE TO BE ASTM A53  
 - ALL MATERIAL PAINTED PER 513  
 - BLACK  
 - SHERWIN WILLIAMS  
 PRIMER / EPOXY



DETAIL #1  
(8 REAR)



SPICE DETAIL

RECEIVED  
 CKD BY: AHP OK'D BY: \_\_\_\_\_  
 MAR 07 2007  
 RESUBMIT \_\_\_\_\_ APPROVED: A. Nold  
 BY: VJ/SK DATE: \_\_\_\_\_

REV. NO.	DATE	DESCRIPTION
1		PAINT AS NOTED

DRAWING COVERS:		
HANDRAILS		
DATE SUB.	PROJECT	# REF 0241 (29)
	LOCATION	RANDOLPH, VT.
	ARCHITECT	
	ENGINEER	
DATE APP.	CUSTOMER	WINTERSETT

**MERRIMACK SHEET METAL**  
 119 HALL ST.  
 CONCORD, NH 03301  
 Tel: (603) 224-7766  
 Fax: (603) 224-7925

DRAWN BY: JD  
 CKD. BY: PC  
 JOB NO.: 1223  
 DWG. NO.: