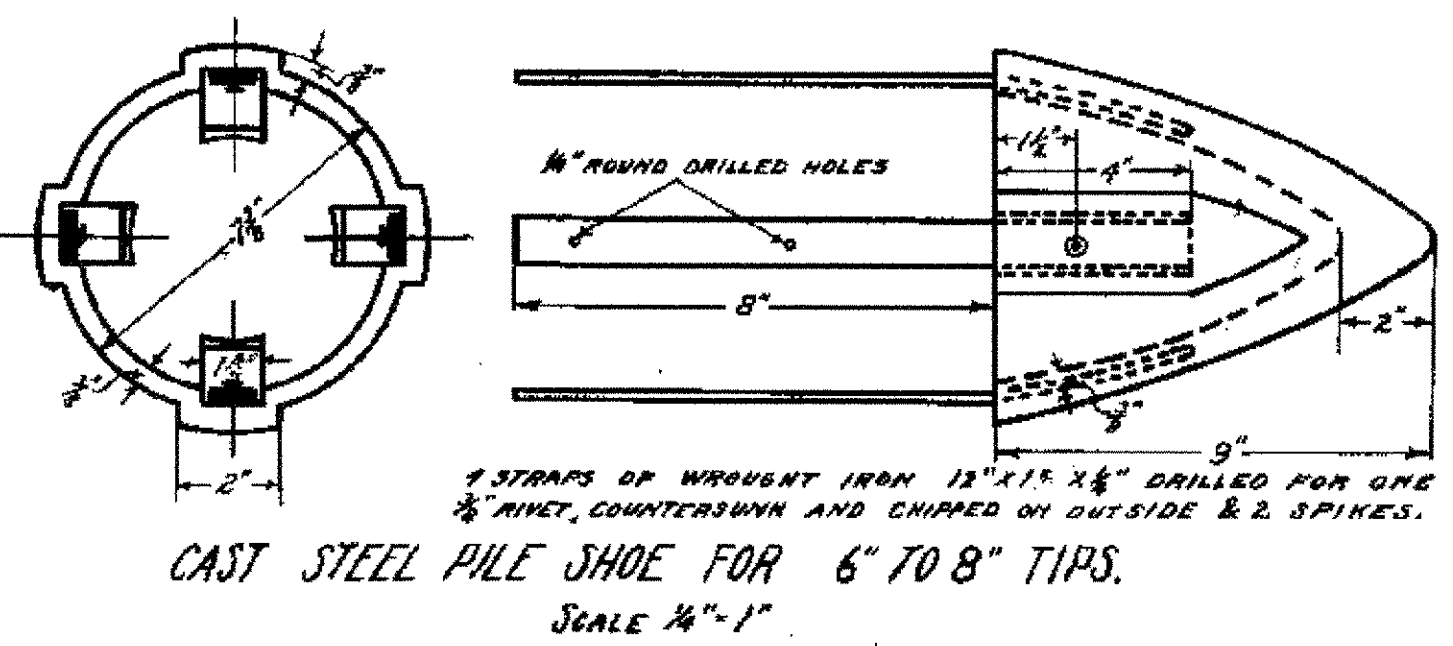
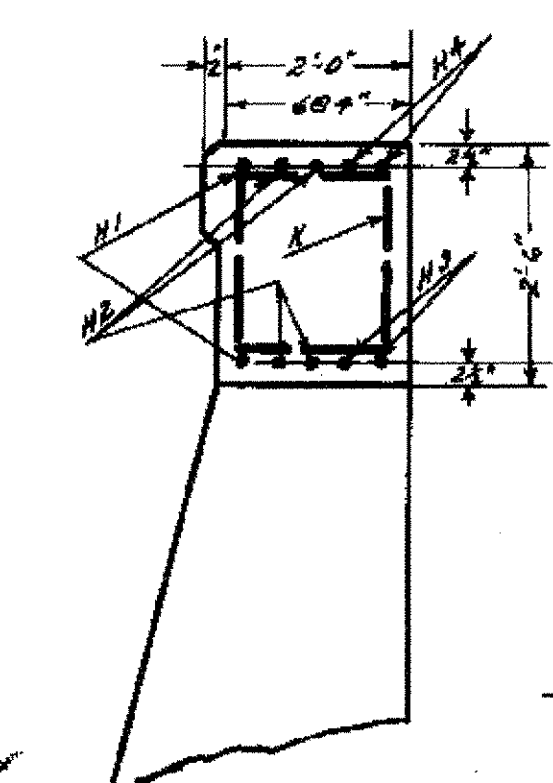
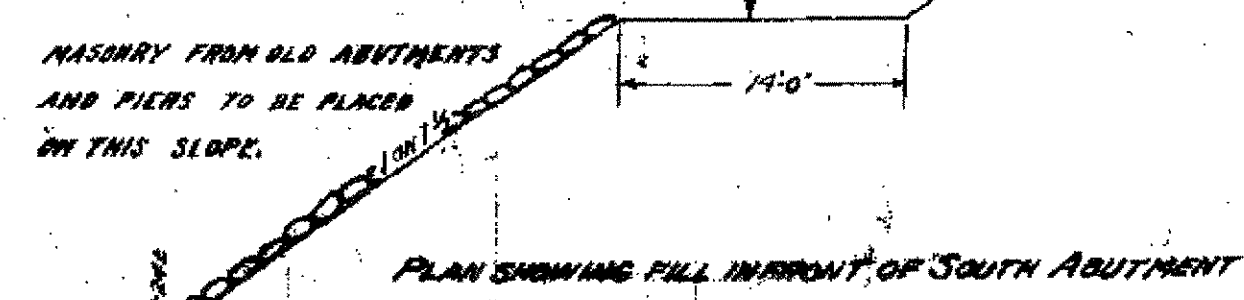


NOTES—
ALL STEEL TO BE DEFORMED BARS.
REINFORCING STEEL SHALL CONFORM TO STANDARD SPECIFICATIONS FOR BILLET STEEL CONCRETE REINFORCEMENT BARS, INTERMEDIATE OR STRUCTURAL GRADE, OF THE AMERICAN SOCIETY FOR TESTING MATERIALS. SERIAL DESIGNATION A15-44

REINFORCING STEEL DETAILS	
M3 BAR	3/8" ROUND
M4 BAR	1/2" ROUND
M5 BAR	5/8" ROUND
M6 BAR	3/4" ROUND
M7 BAR	7/8" ROUND
M8 BAR	1" ROUND



IF JETTING IS NECESSARY TWO WATER JETS SHOULD BE USED WITH A WATER PRESSURE OF AT LEAST 150 TO 200 LBS. PER SQUARE INCH. PUMP TO BE OF PISTON TYPE WITH A 6" DIAMETER INTAKE PIPE AND A 4" DIAMETER OUTLET PIPE. THE JET PIPE TO BE ABOUT TWO INCHES IN DIAMETER, NOZZLE TO BE CIRCULAR IN SECTION AND OF 1/2" TO 3/4" IN DIAMETER.
PILE SHOES AS PER SKETCH TO BE USED AS DIRECTED BY ENGINEER. UNIT PRICE BID FOR WOODEN PILES SHALL INCLUDE JETTING IF NECESSARY AND FURNISHING AND PLACING PILE SHOES.
PILING TO BE DRIVEN TO A 15 TON BEARING VALUE.



ABUTMENT DETAILS
VILLAGE BRIDGE
RANDOLPH, VERMONT.

ESTIMATED QUANTITIES	
STRUCTURE EXCAVATION	226 CuYds
1-2-4 CONCRETE	10 CuYds
1-2-5 CONCRETE	60 CuYds
REINFORCING STEEL	3245 LBS
TIMBER PILING	500 FT.

Surveyed by DOE
Designed by RADIGAN
Drawn by RADIGAN
Traced by BARRETT
Checked by H. W. MANNETT
Series F No. 67 A (P) Filed 7-33-44
Sheet 9 of 11