

202+50 +/-

Silt pocket removed on 11/30/07

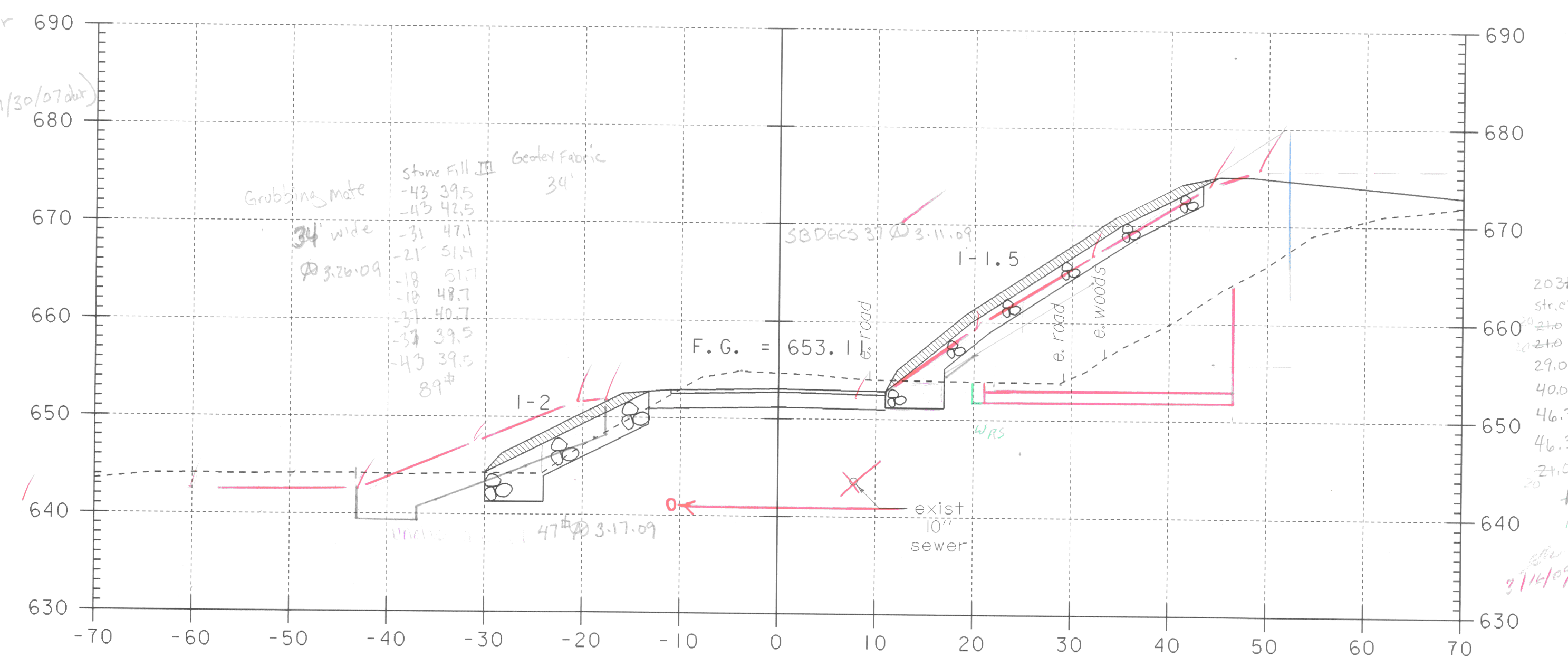
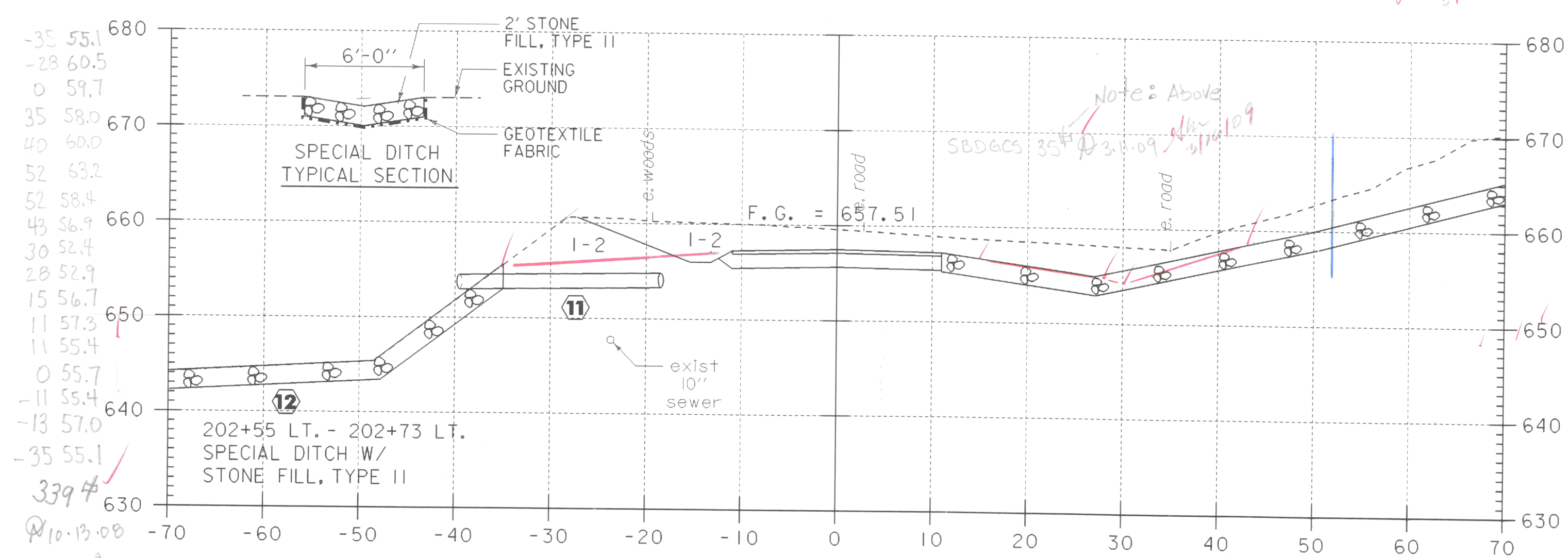
Field measured for common & subbase DGCS

$14' \times 14' \times 1.00' / 27 = 7.26$ paid on 11/30/07 dur

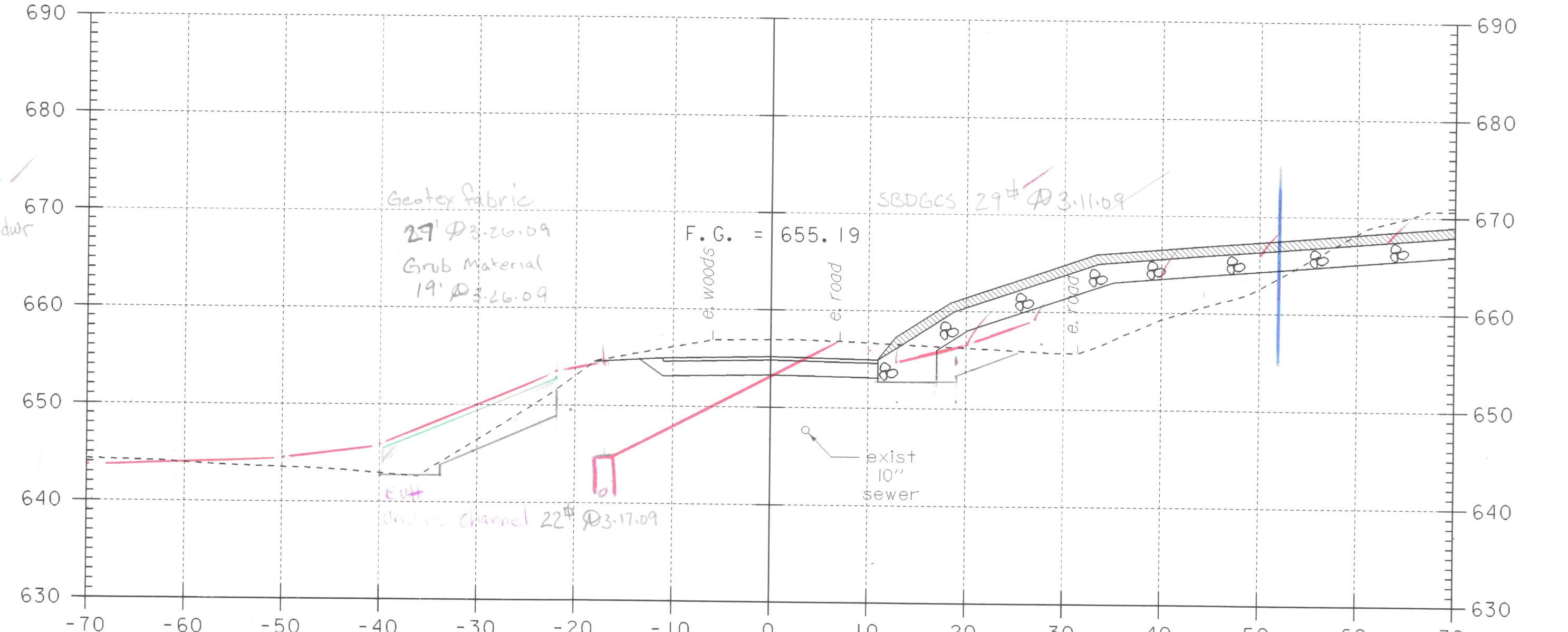
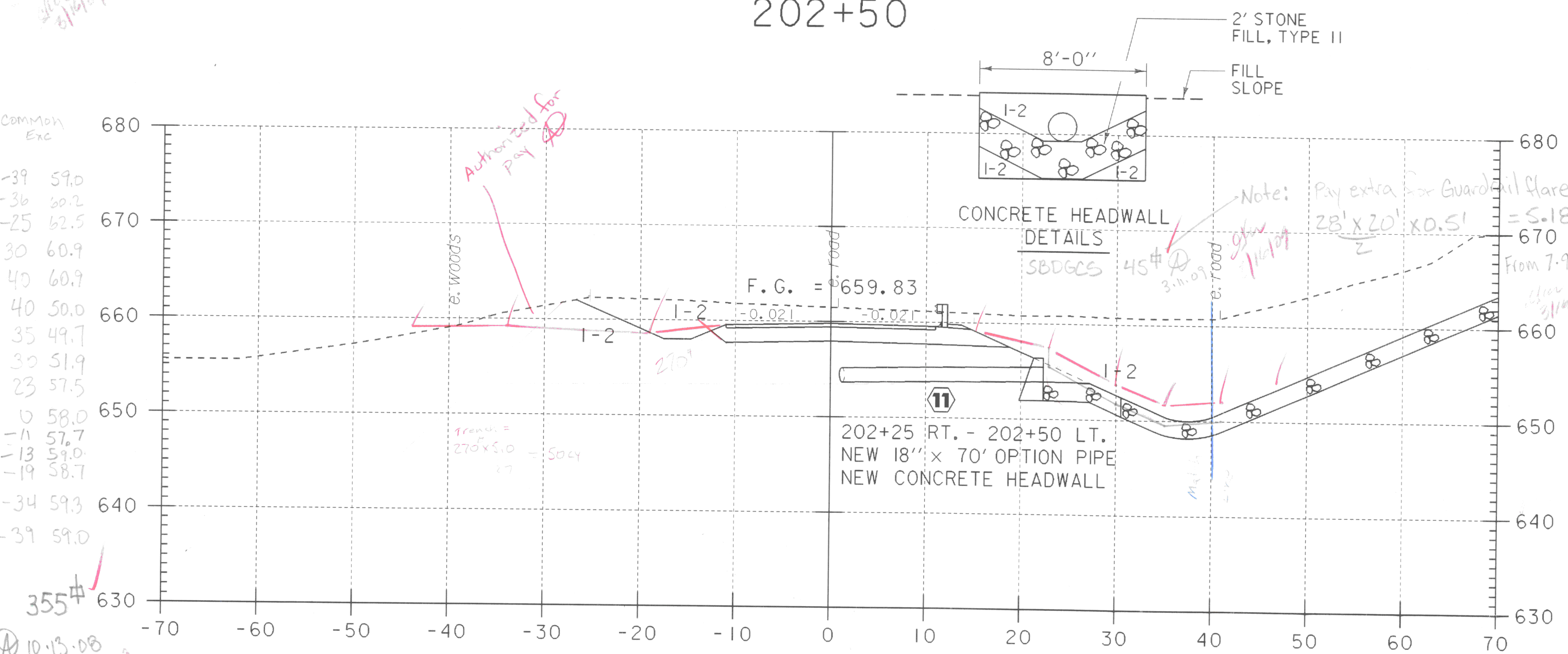
$12' \times 18' \times 1.00' / 27 = 8.00$
 15.26 P03-11-09 (From 11/30/07 dur)

Common Exc

-13	51.0
-8	54.7
-4	55.0
17	53.8
17	51.0
0	51.3
-13	51.0
89	10-13-08

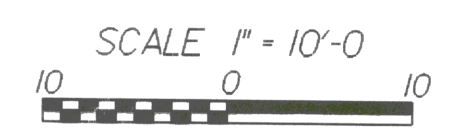


STA 202+80.00 FAR LEFT
 BEGIN UNCLASSIFIED CHANNEL EXCAVATION
 BEGIN STONE FILL TYPE III
 BEGIN GEOTEXTILE UNDER STONE FILL
 BEGIN GRUBBING MATERIAL



STA 202+08.00 LT
 BEGIN UNCLASSIFIED CHANNEL EXCAVATION
 BEGIN STONE FILL TYPE III
 BEGIN GEOTEXTILE UNDER STONE FILL
 BEGIN GRUBBING MATERIAL
 END STONE LINED DITCH

STA 202+25.00 RT
 BEGIN UNCLASSIFIED CHANNEL EXCAVATION
 BEGIN STONE FILL TYPE III
 BEGIN GEOTEXTILE UNDER STONE FILL
 BEGIN GRUBBING MATERIAL
 END STONE LINED DITCH



PRINCE STREET SECTIONS STA. 202+25 - STA. 203+00

PROJECT NAME:	RANDOLPH
PROJECT NUMBER:	BRF 0241 (29)
FILE NAME:	/str5/88j096/sj096prx.dgn
PLOT DATE:	29-AUG-2006
PROJECT LEADER:	W. SYMONDS
DRAWN BY:	G. SHANGRAW
DESIGNED BY:	W. B. SYMONDS
CHECKED BY:	T. SUMNER
sj096p3.i	SHEET 127 OF 135