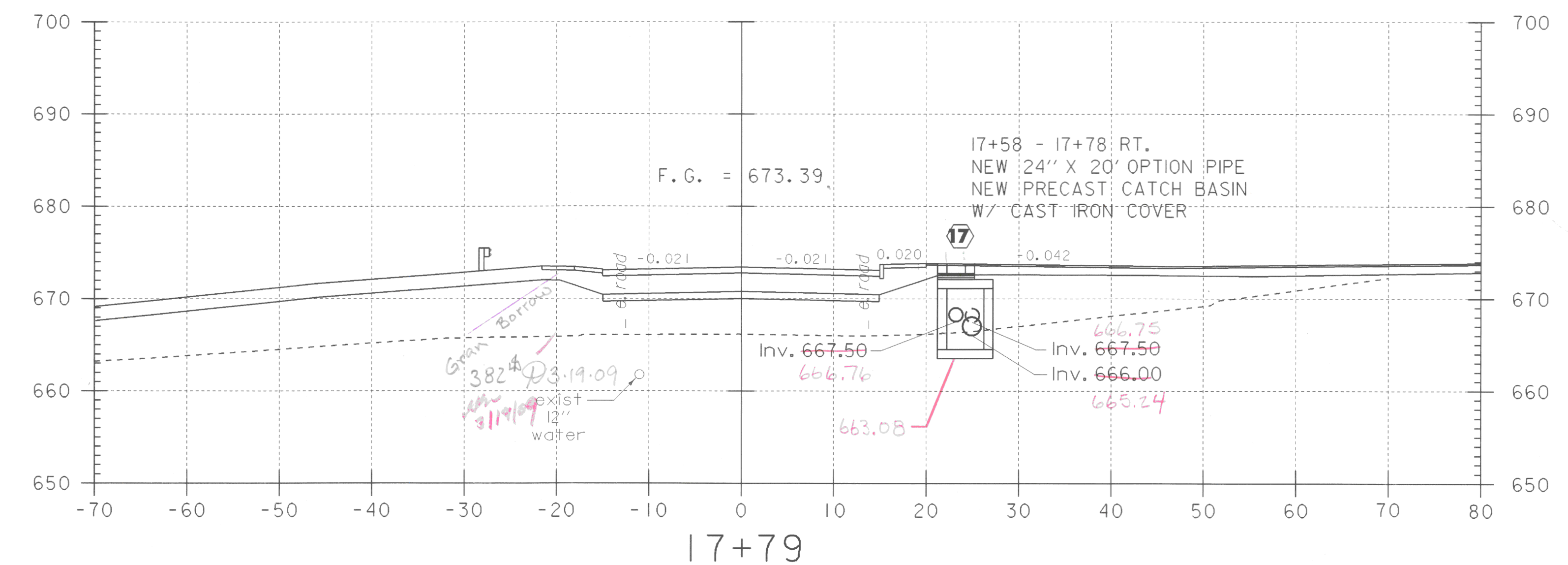
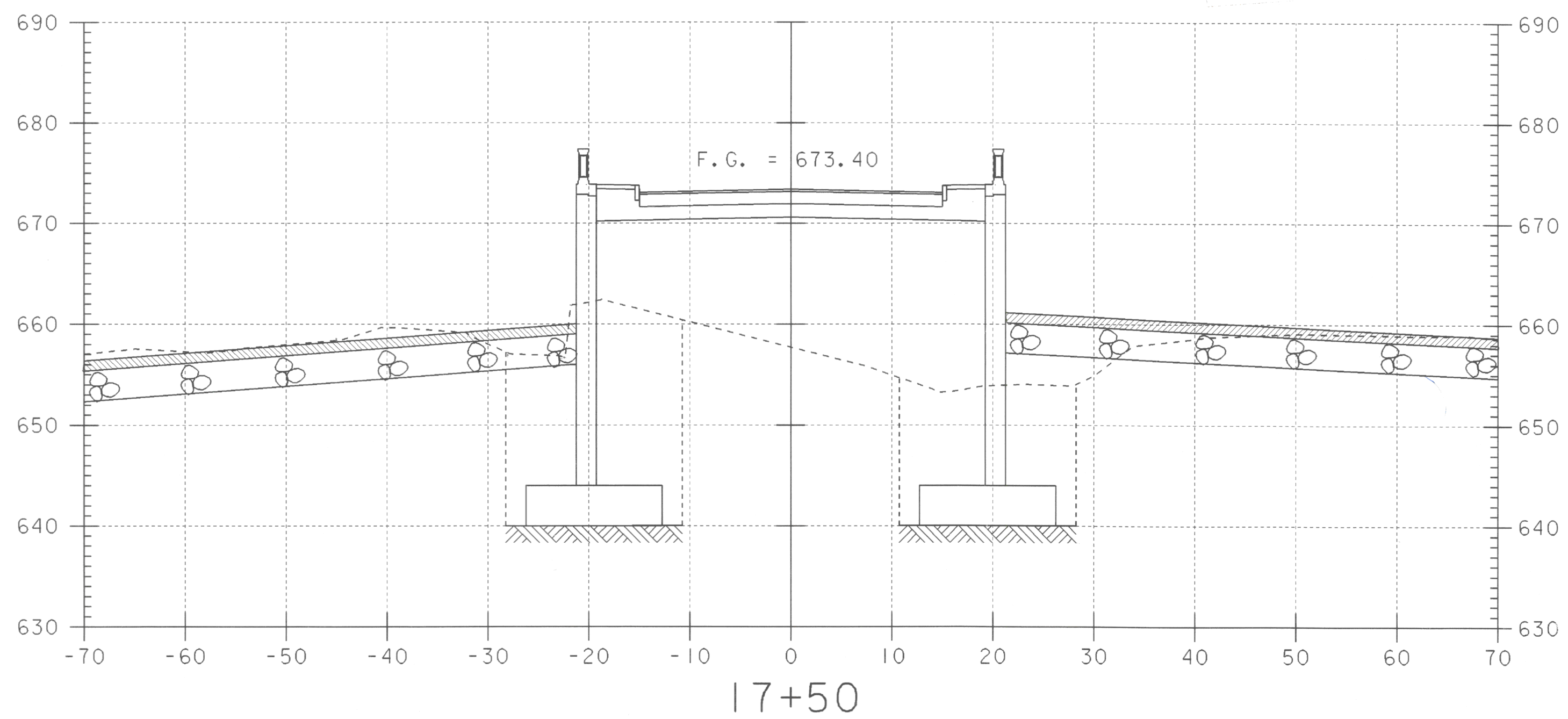
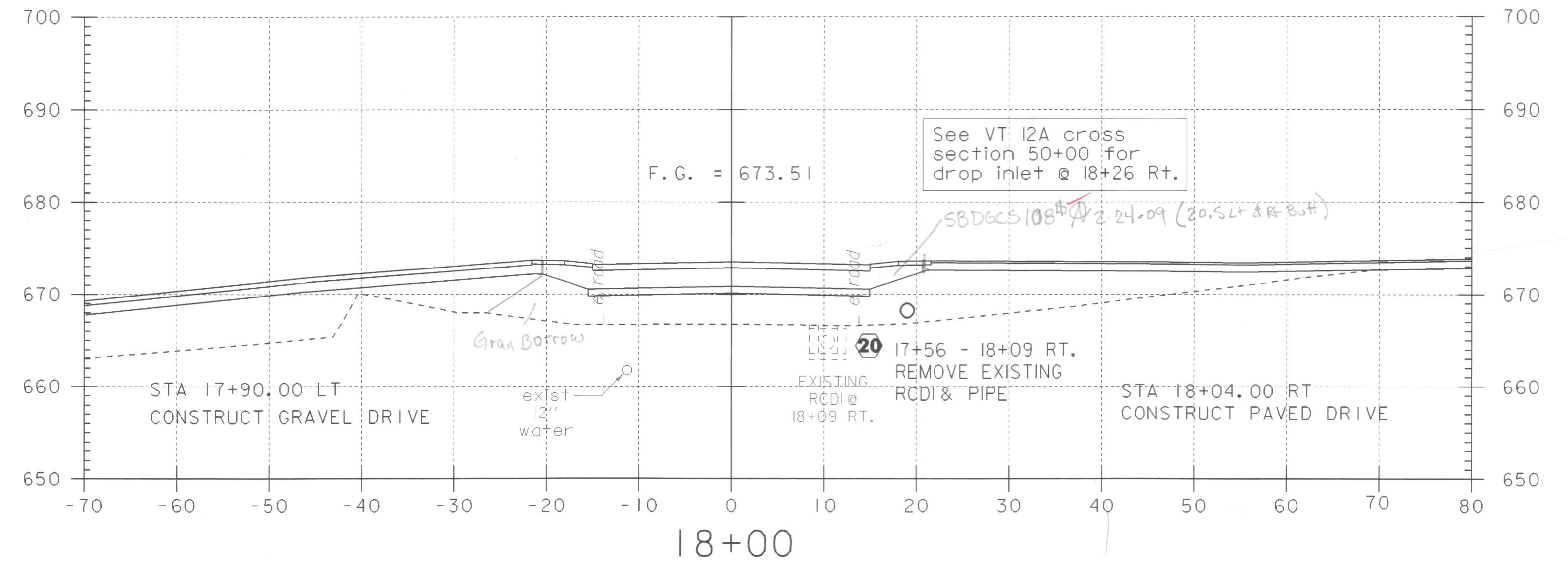
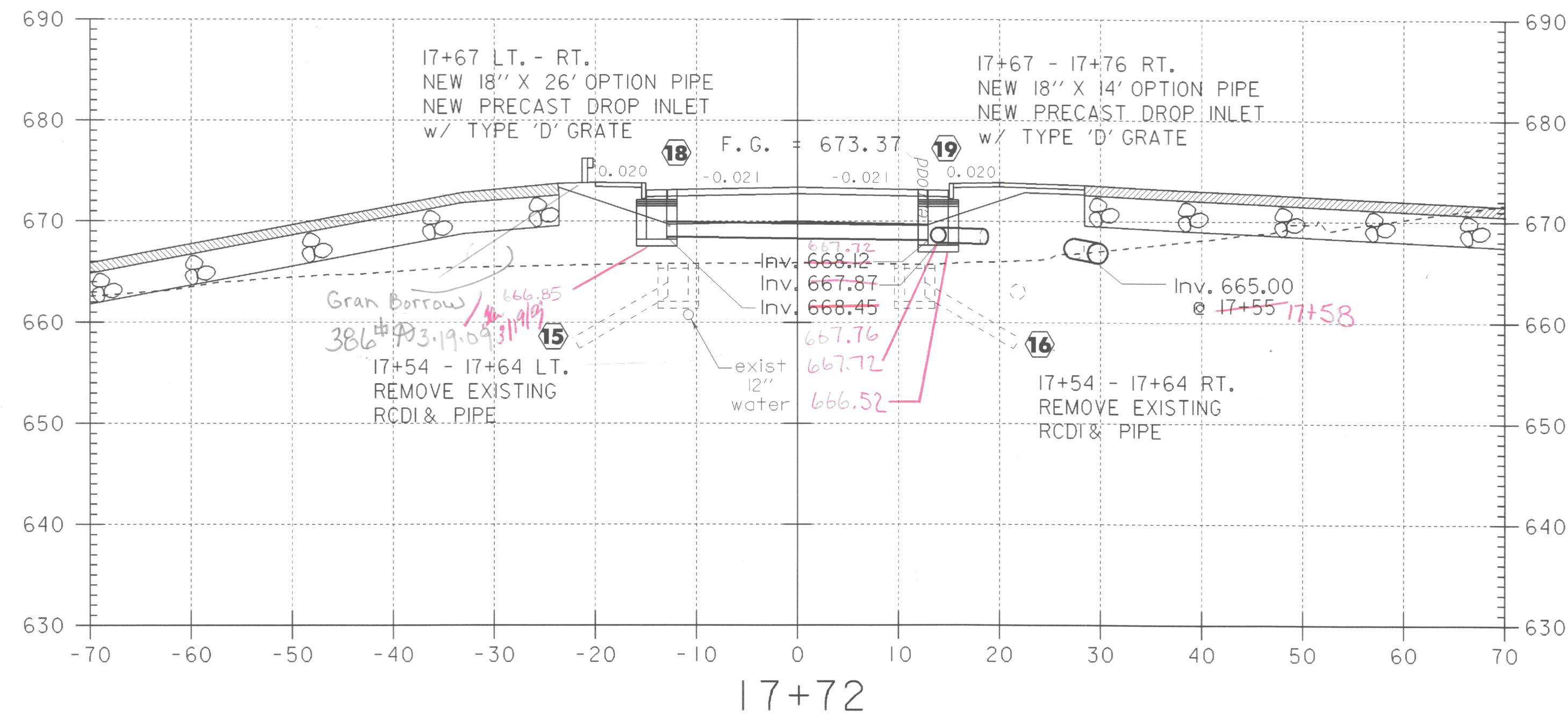


Subbase Dense Graded Crushed Stone
 17+39.25 141# Butt @ Abut Z
 End WW 17+69 116# Back
 125# Ahead
 End 4' taper 17+89.25 109#
3/16/09



**MAINLINE SECTIONS
 STA. 17+50 - STA. 18+00**

PROJECT NAME:	RANDOLPH
PROJECT NUMBER:	BRF 0241 (29)
FILE NAME: /s/tr5/88/096/sj096m1x.dgn	PLOT DATE: 29-AUG-2006
PROJECT LEADER: W. SYMONDS	DRAWN BY: G. SHANGRAW
DESIGNED BY: W.B. SYMONDS	CHECKED BY: T. SUMNER
sj096m15.i	SHEET 114 OF 135

