

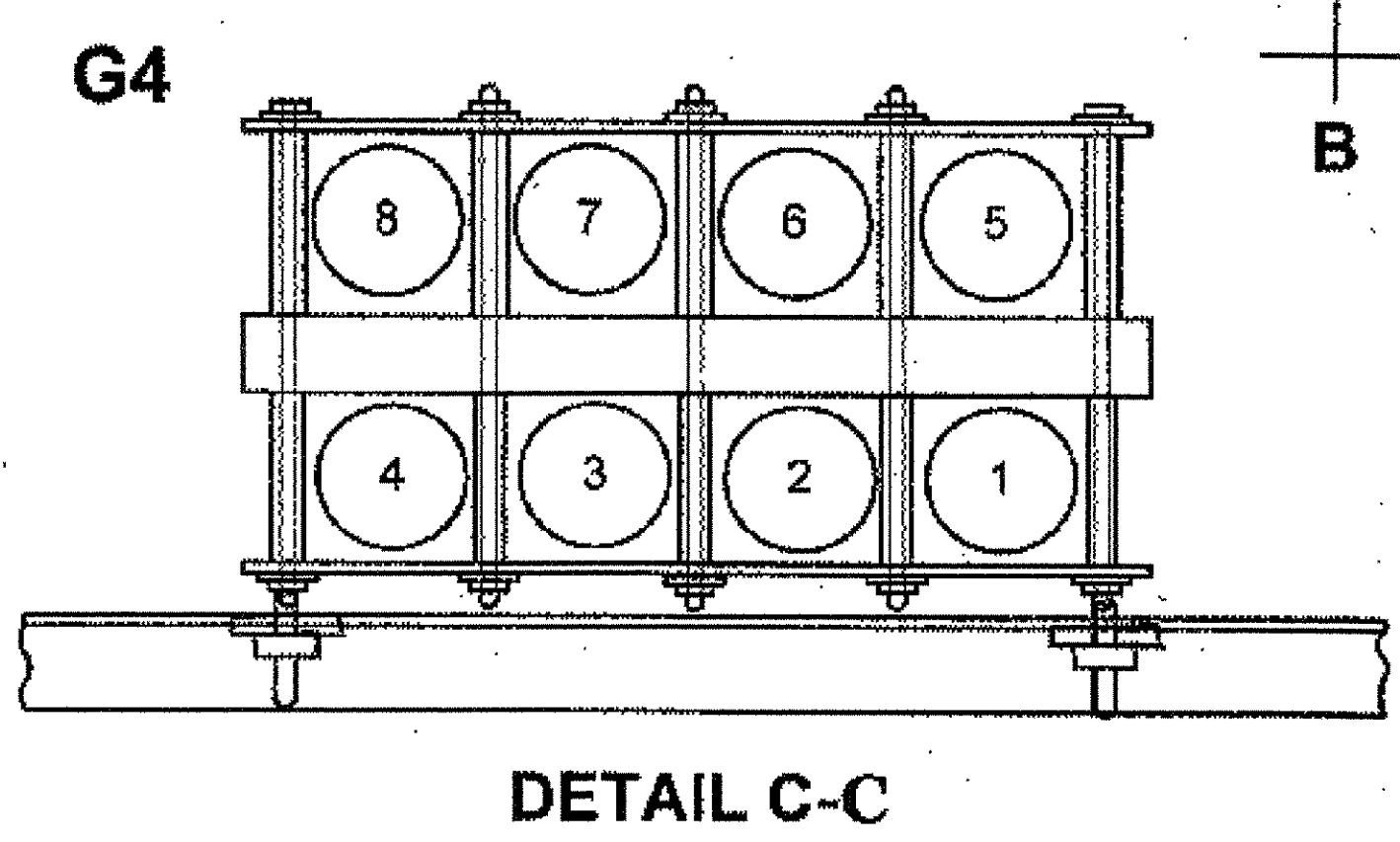
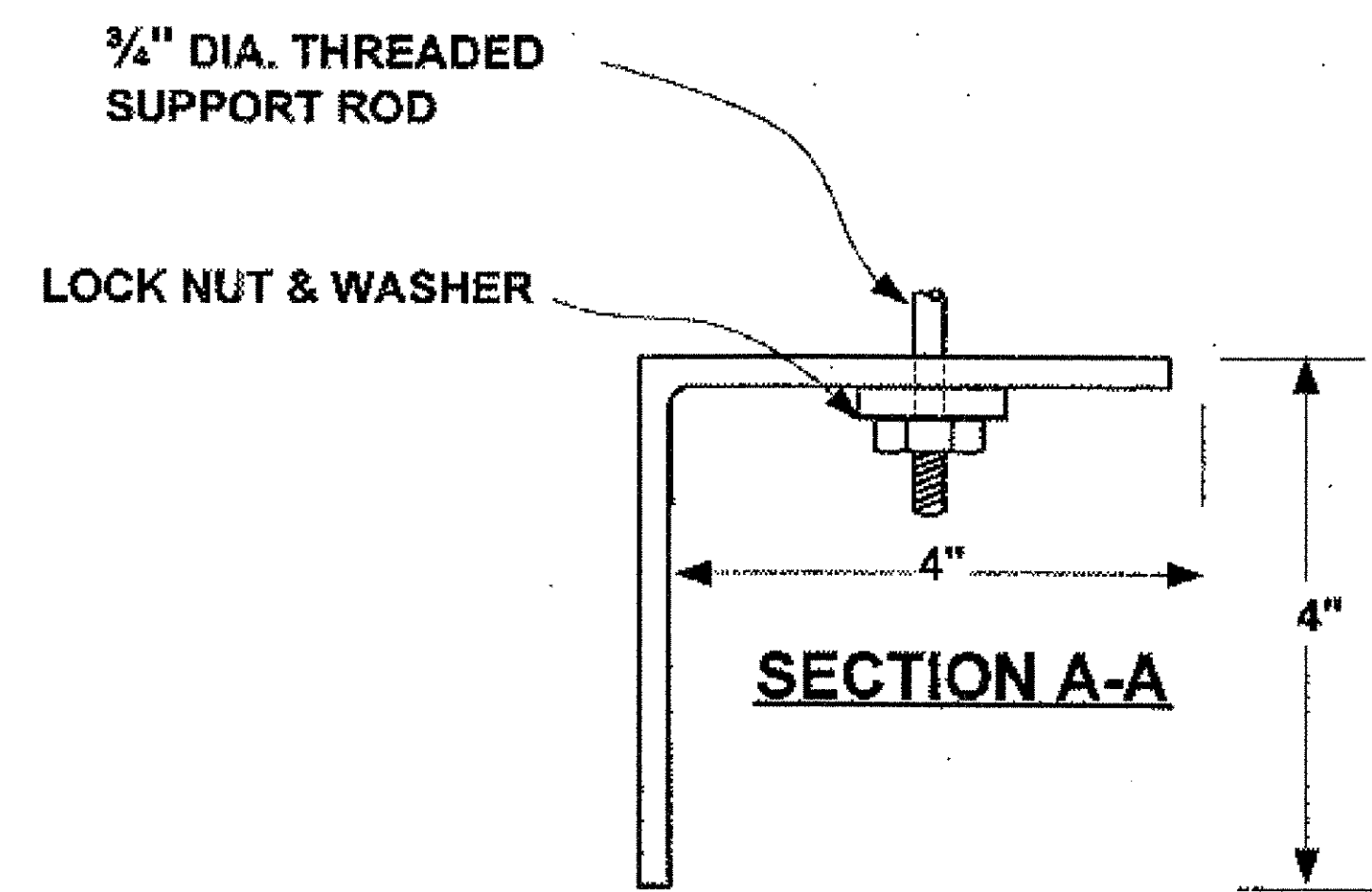
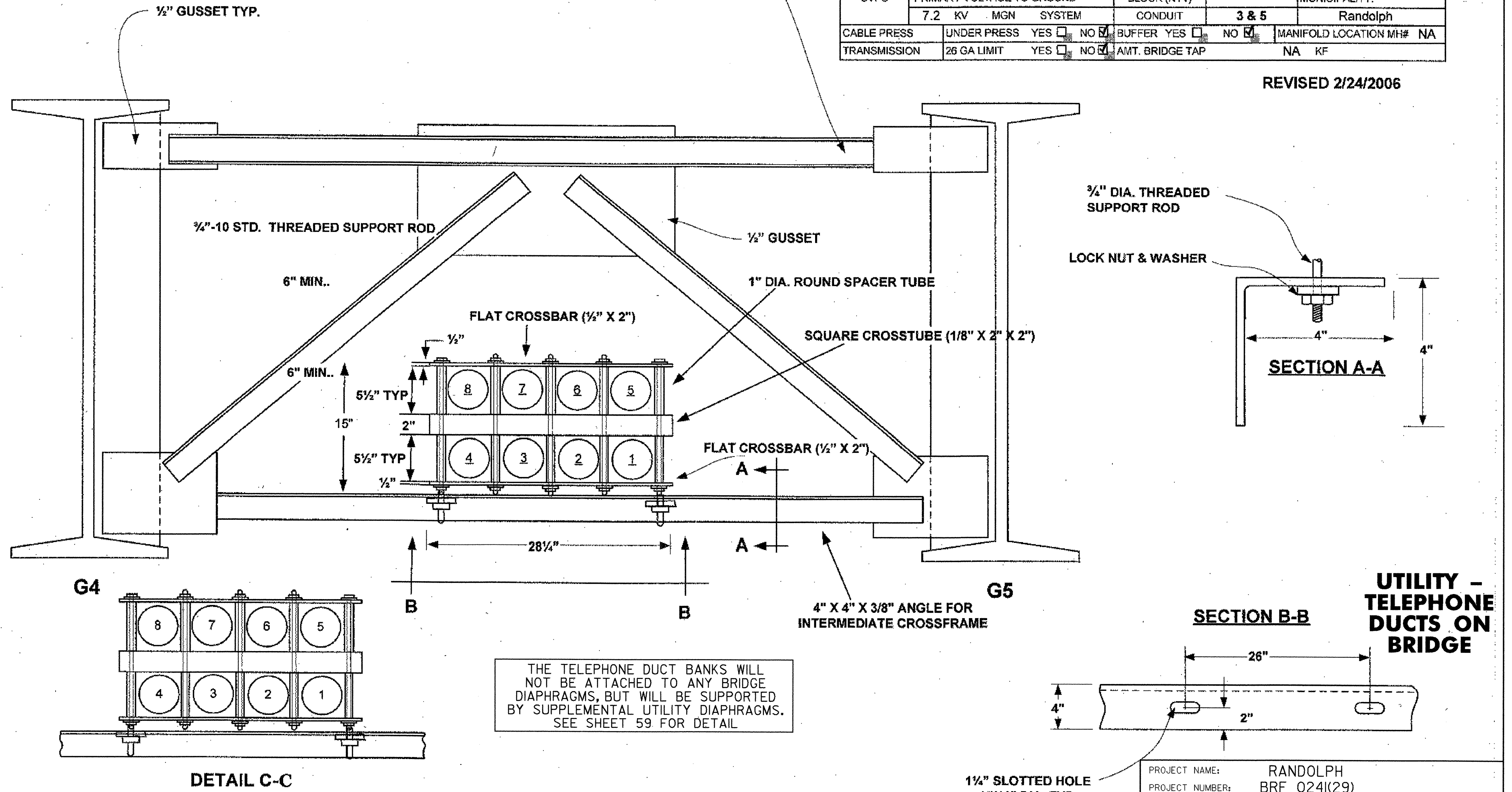
PROJ # 7AA08E

4" X 4" X 3/8" ANGLE FOR INTERMEDIATE CROSSFRAME

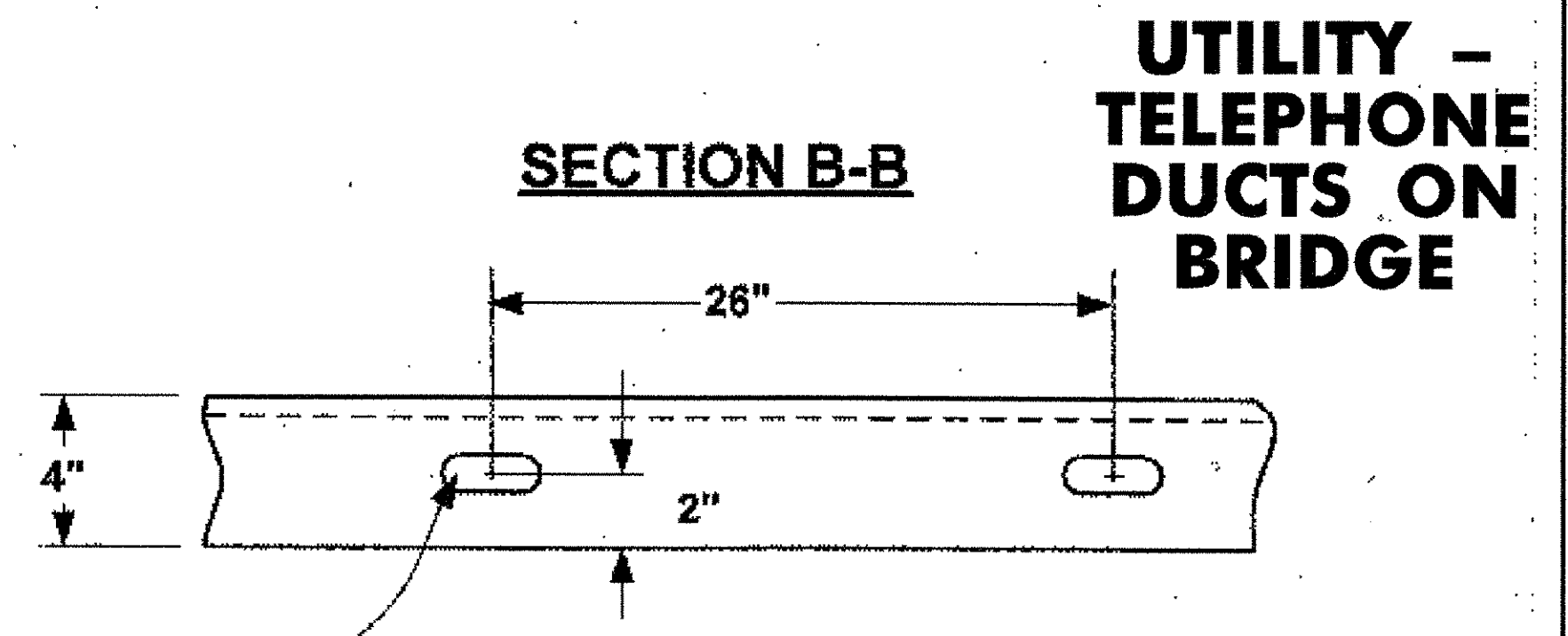
8 X 18.7 FOR SUPPORT CROSSFRAME

SAFETY NOTES:	Heavy Traffic		MOD/REV NO	DATE	EWO NO. 0
	SIGNATURE: <i>T.H. Bushey</i>		PRINT 5 OF 0		
DATE: 2/10/2006	TYPE		RECORD REF:	PREPARED BY: T.H. BUSHEY	
CVPS	PRE CT	YES <input checked="" type="checkbox"/>	NO <input type="checkbox"/>	UNDERGROUND	4873
	PRIMARY VOLTAGE TO GROUND	7.2 KV	MGN SYSTEM	BLOCK (NYT)	MUNICIPALITY: Randolph
CABLE PRESS	UNDER PRESS	YES <input type="checkbox"/>	NO <input checked="" type="checkbox"/>	CONDUIT	3 & 5
TRANSMISSION	26 GA LIMIT	YES <input type="checkbox"/>	NO <input checked="" type="checkbox"/>	AMT. BRIDGE TAP	NA KF
					MANIFOLD LOCATION MH# NA

REVISED 2/24/2006



THE TELEPHONE DUCT BANKS WILL NOT BE ATTACHED TO ANY BRIDGE DIAPHRAGMS, BUT WILL BE SUPPORTED BY SUPPLEMENTAL UTILITY DIAPHRAGMS. SEE SHEET 59 FOR DETAIL



PROJECT NAME:	RANDOLPH
PROJECT NUMBER:	BRF 0241(29)
FILE NAME: /88J096/SJ096UTILITYRASTERS.DGN	PLOT DATE: 29-AUG-2006
PROJECT LEADER: W. SYMONDS	DRAWN BY: G. SHANGRAW
DESIGNED BY: VERIZON, INC.	CHECKED BY: T. SUMNER
sj096verizon2.j	SHEET 94 OF 135

1 1/2" SLOTTED HOLE  
15/16" DIA. TYP.