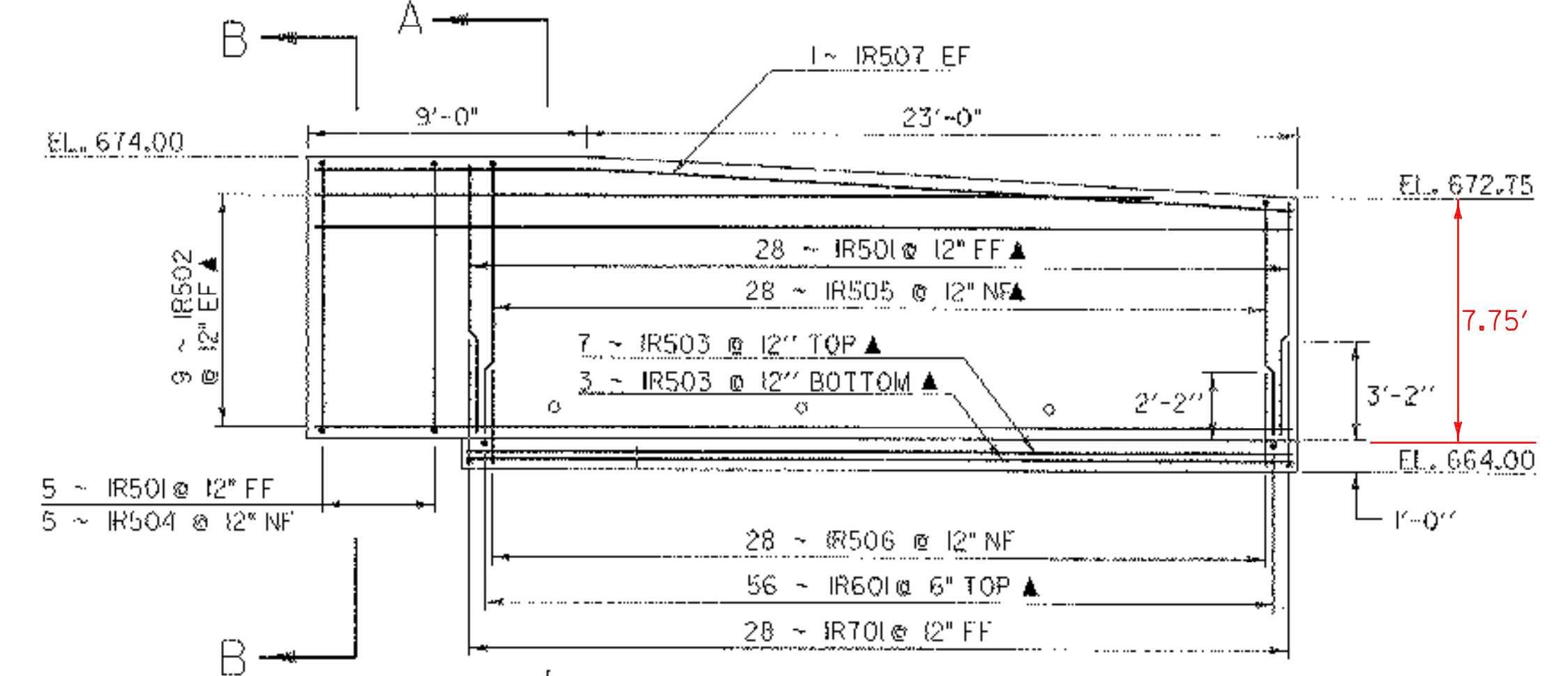
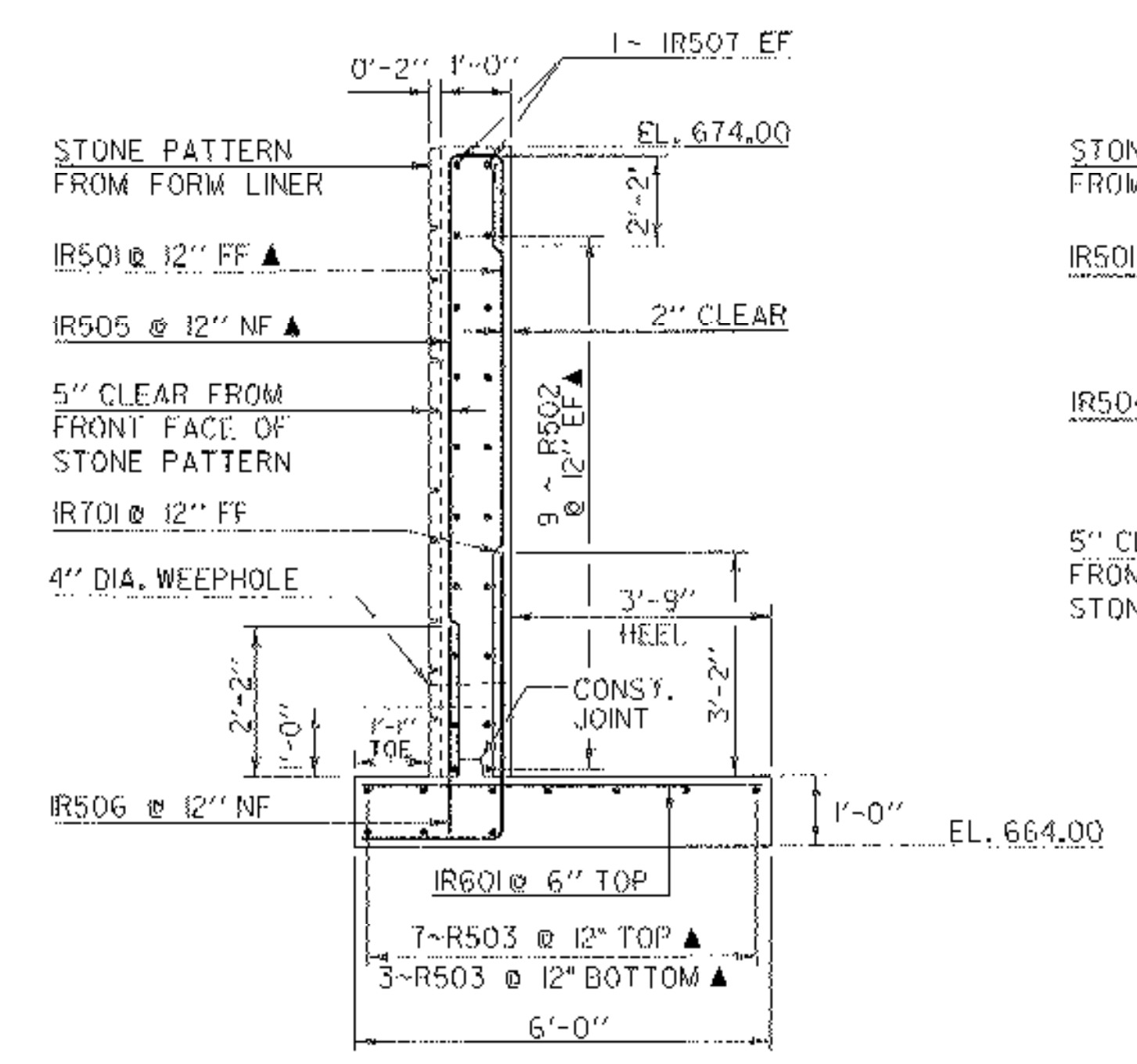


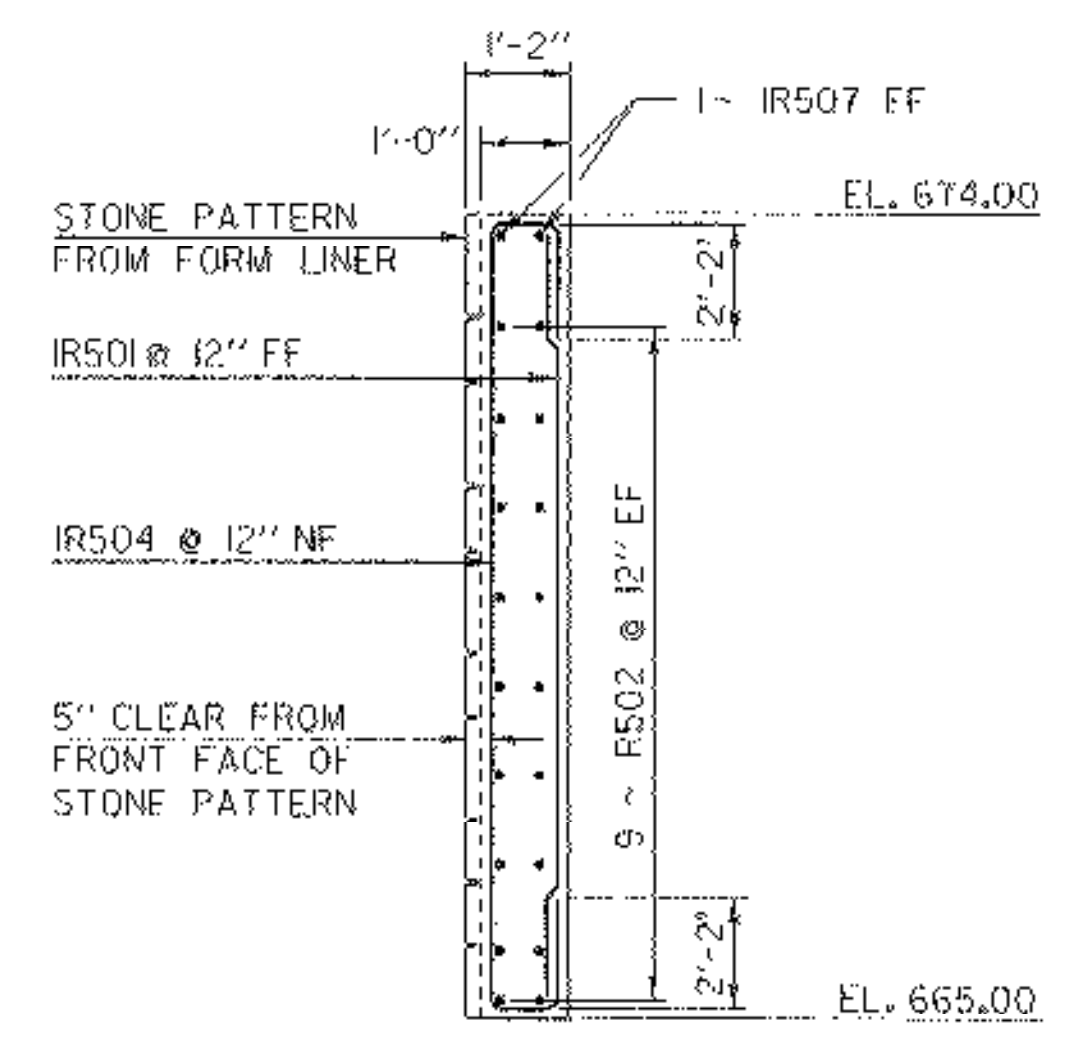
PLAN VIEW
SCALE 1/4" = 1'-0"
1 0 2 4 6



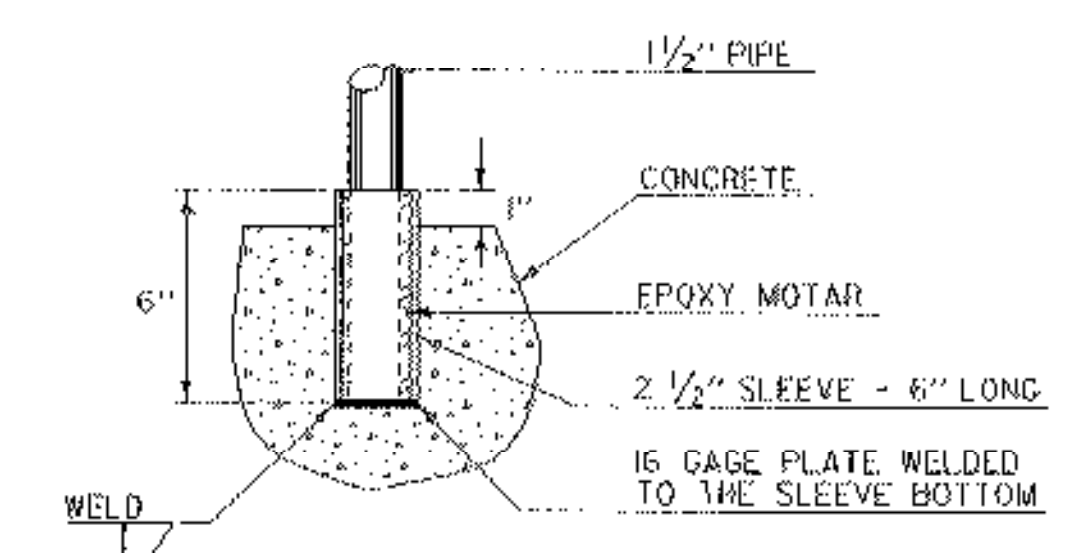
PROFILE VIEW
SCALE 1/4" = 1'-0"
1 0 2 4 6



SECTION A-A
SCALE 1/2" = 1'-0"
1 0 1 2

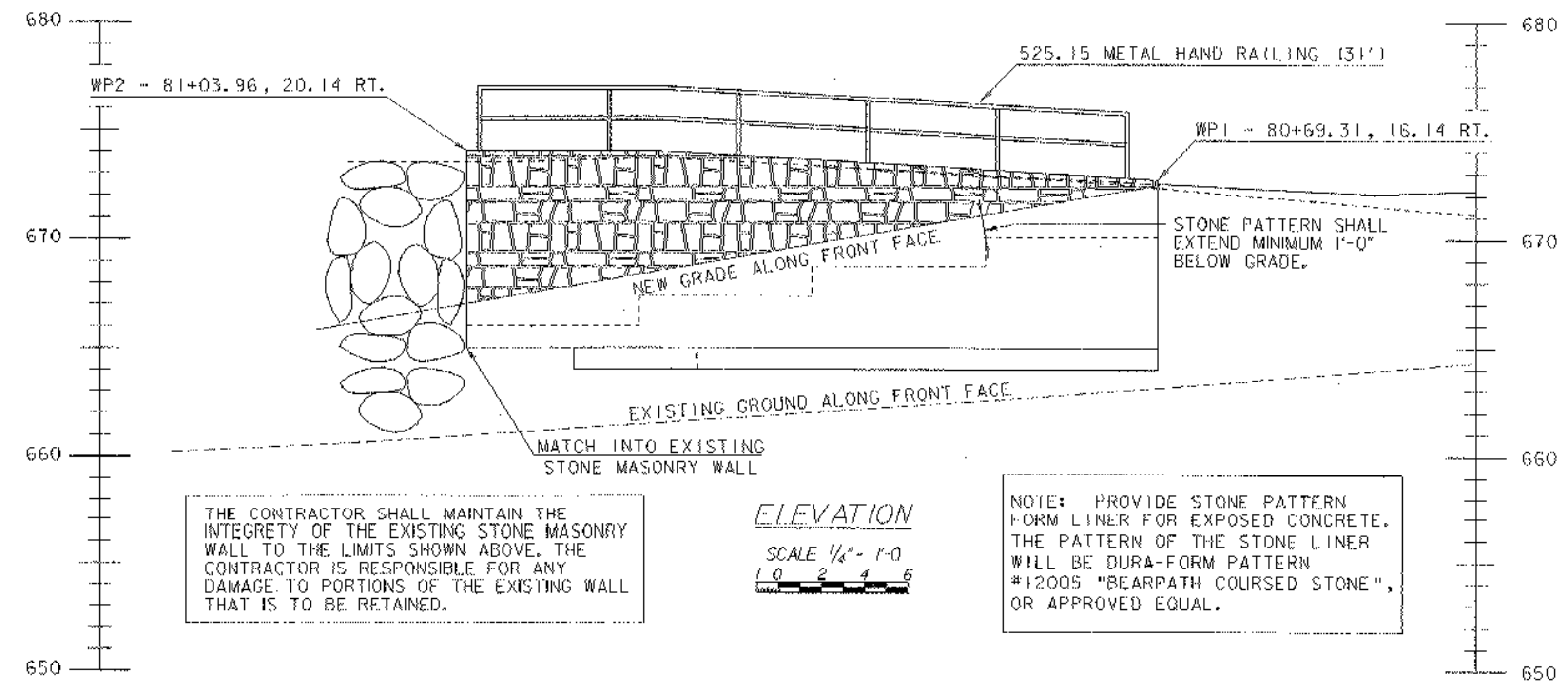


SECTION B-B
SCALE 1/2" = 1'-0"
1 0 1 2



SLEEVE DETAIL
NTS

METAL HAND RAILING NOTES:
1) THE RAILING WILL BE PAINTED BLACK IN ACCORDANCE WITH SECTION 513.
2) THE RAILING NEED NOT BE CALVANIZED.
3) APPROVED SLEEVES WILL BE USED TO EMBED THE RAILING IN THE CONCRETE RETAINING WALL. PAYMENT FOR THE SLEEVES WILL BE INCIDENTAL TO ITEM 525.15 - METAL HAND RAILING.



ELEVATION
SCALE 1/4" = 1'-0"
1 0 2 4 6

NOTE:
NF - NEAR FACE
FF - FAR FACE
EF - EACH FACE
▲ - CUT TO FIT IN FIELD
3" CLR. UNLESS OTHERWISE SPECIFIED ON THE PLANS.

RETAINING WALL ELEV. AT DRIVE STA 80+20 RT.

PROJECT NAME:	RANDOLPH
PROJECT NUMBER:	BRF 0241 (29)
FILE NAME: /str5/88j096/sj096ret.dgn	PLOT DATE: 29-AUG-2006
PROJECT LEADER: W.B. SYMONDS	DRAWN BY: T. FILLBACH
DESIGNED BY: T. FILLBACH	CHECKED BY: T. SUMNER
s\j096retwall.1	SHEET 83 OF 135