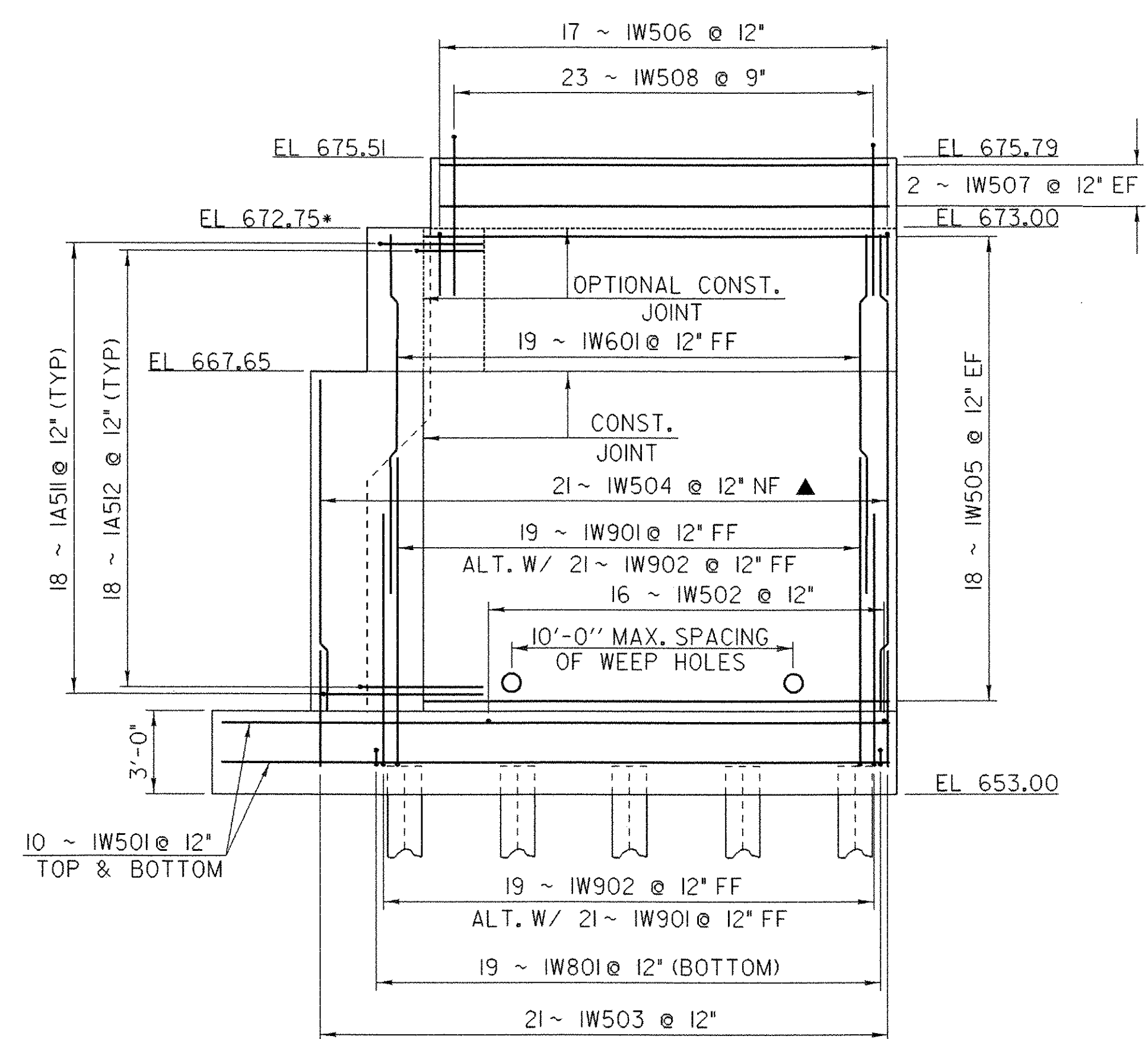


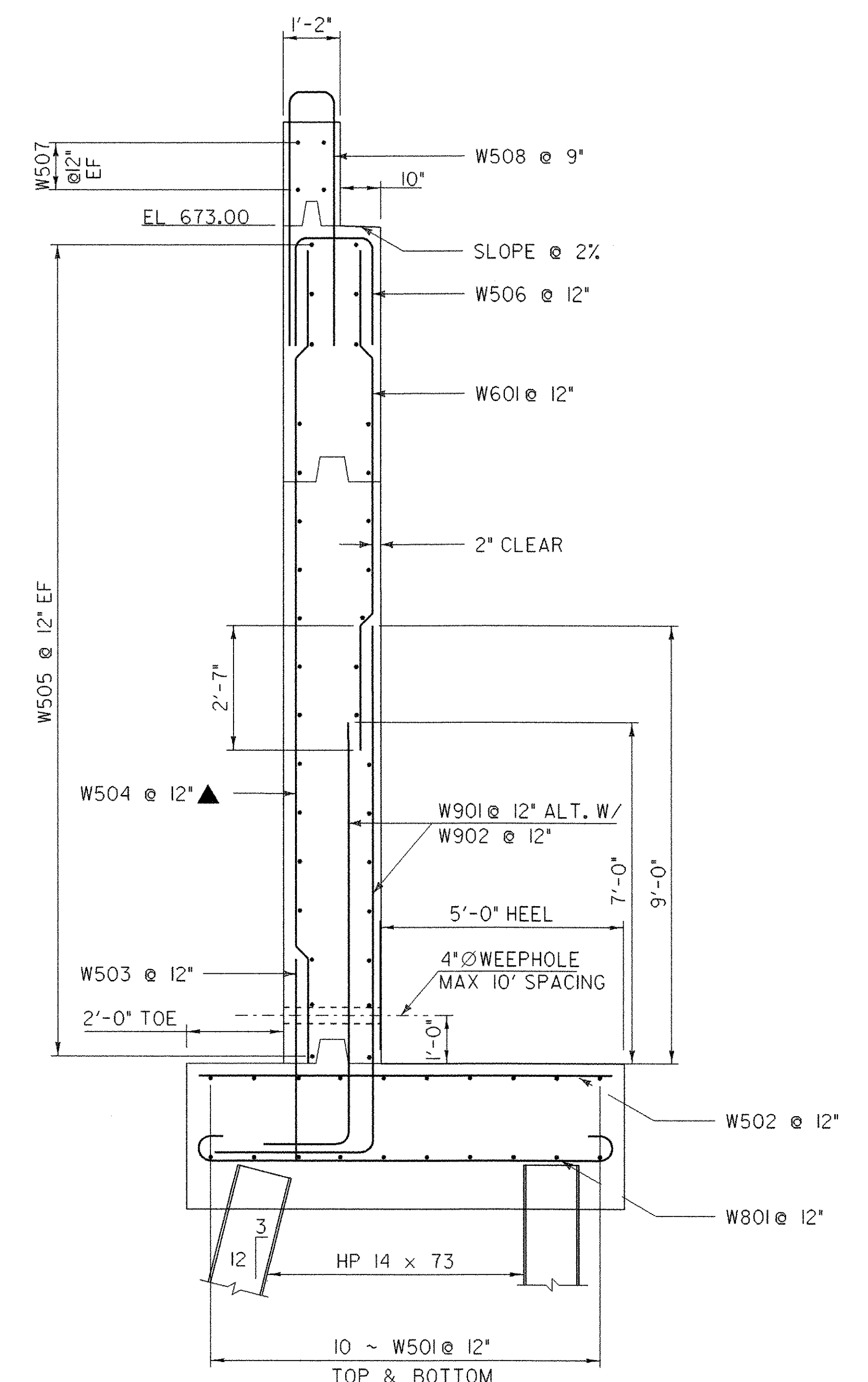
**WINGWALL #2
ELEVATION**

SCALE 1/4" = 1'-0"
1 0 2 4 6



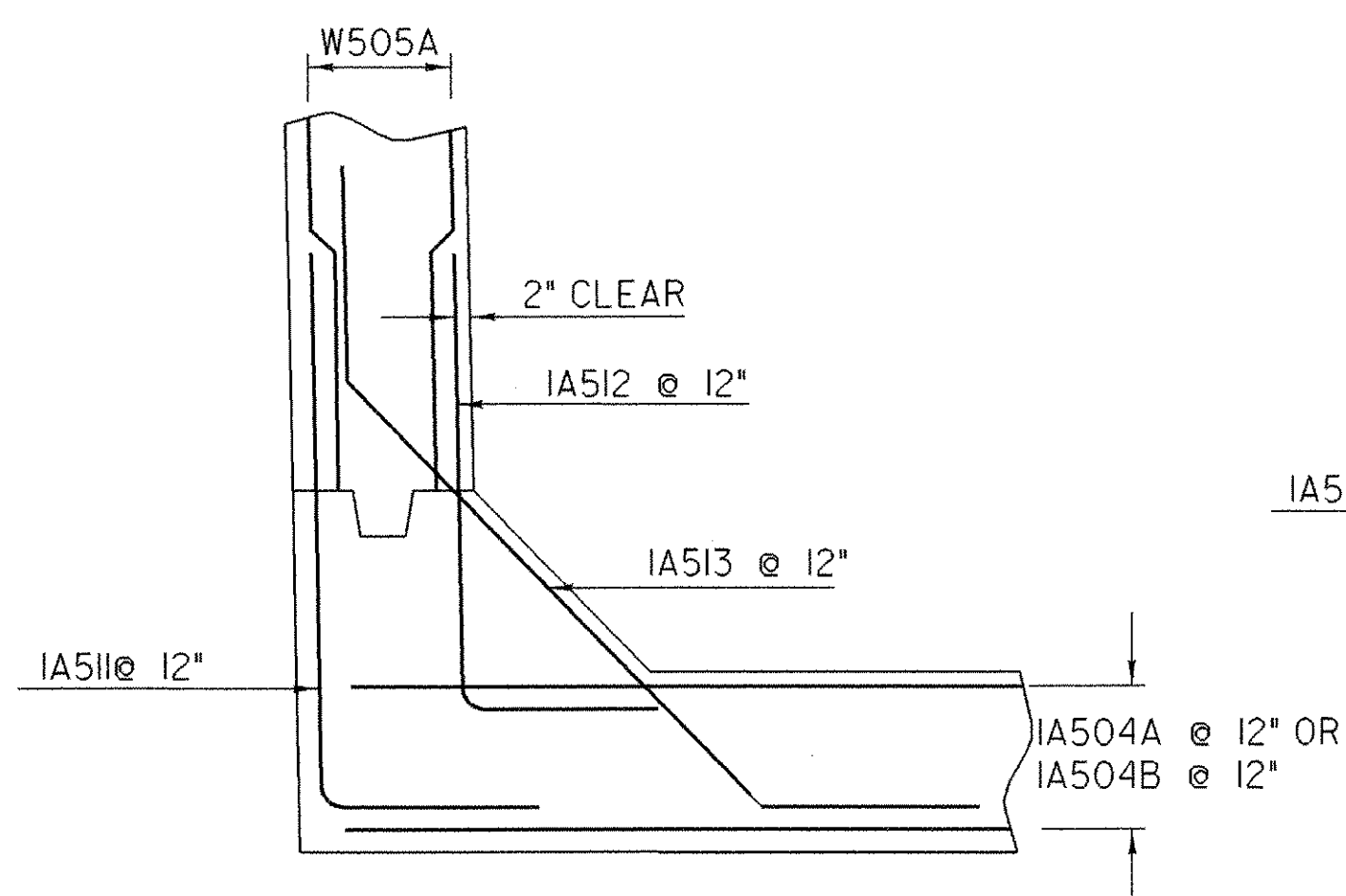
**WINGWALL #1
ELEVATION**

SCALE 1/4" = 1'-0"
1 0 2 4 6



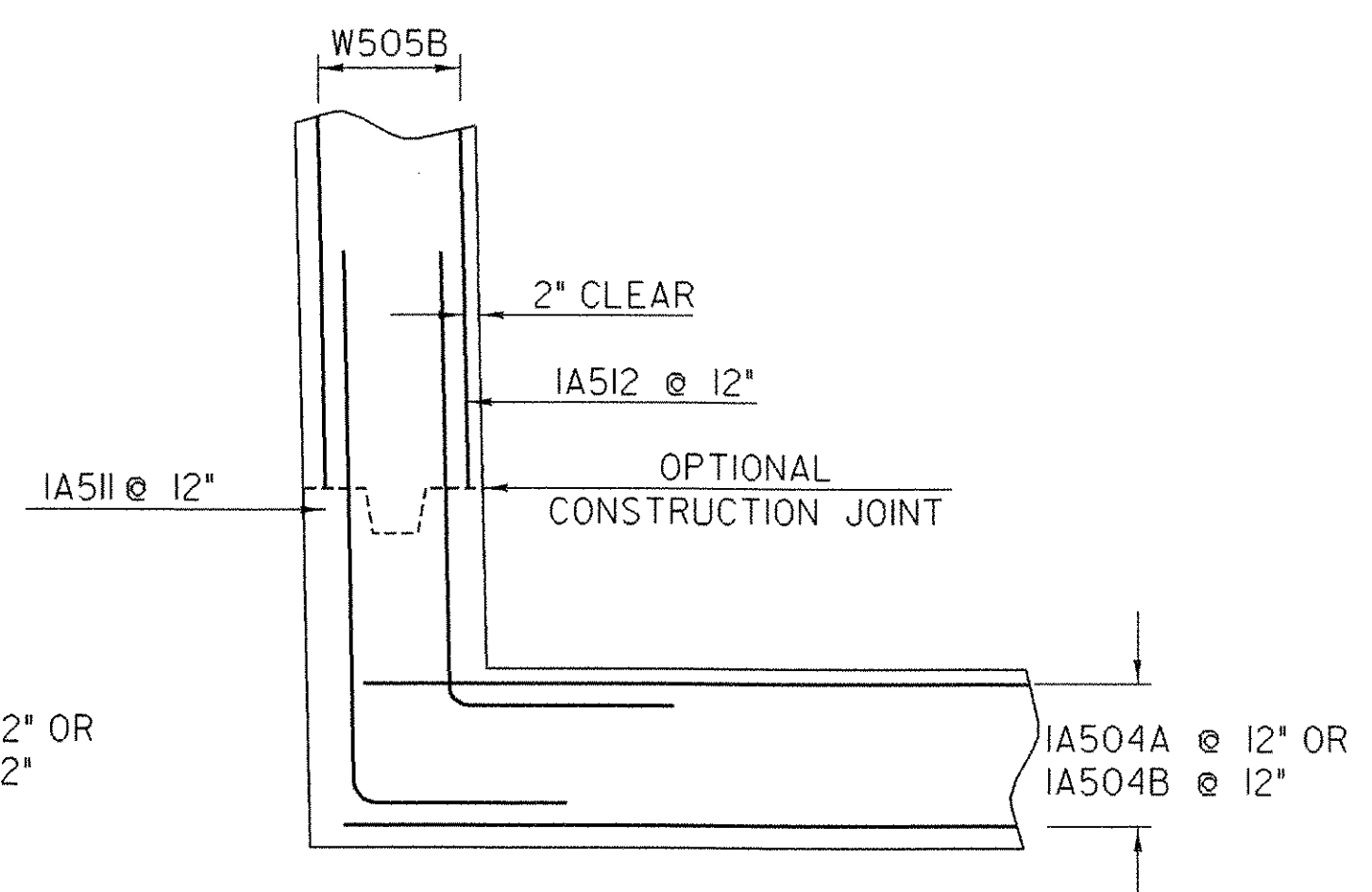
**WINGWALL 1 & 2
ELEVATION (TYPICAL)**

SCALE 1/2" = 1'-0"
1 0 1 2



**CORNER DETAIL WW1 & WW2
BELOW BRIDGE SEAT**

SCALE 1/2" = 1'-0"
1 0 1 2



**CORNER DETAIL WW1 & WW2
ABOVE BRIDGE SEAT**

SCALE 1/2" = 1'-0"
1 0 1 2

NOTE:
NF - NEAR FACE
FF - FAR FACE
EF - EACH FACE
▲ - CUT TO FIT IN FIELD
3" CLR. UNLESS OTHERWISE NOTED
2'-2" BAR LAP UNLESS OTHERWISE NOTED

**WINGWALLS 1 & 2
SECTION & ELEVATION**

PROJECT NAME:	RANDOLPH
PROJECT NUMBER:	BRF 0241 (29)
FILE NAME:	/s/tr5/88j096/s88j096sub.dgn
PLOT DATE:	29-AUG-2006
PROJECT LEADER:	W. SYMONDS
DRAWN BY:	G. SHANGRAW
DESIGNED BY:	T. SUMNER
CHECKED BY:	T. FILLBACH
sj096wings1&2.i	SHEET 76 OF 135