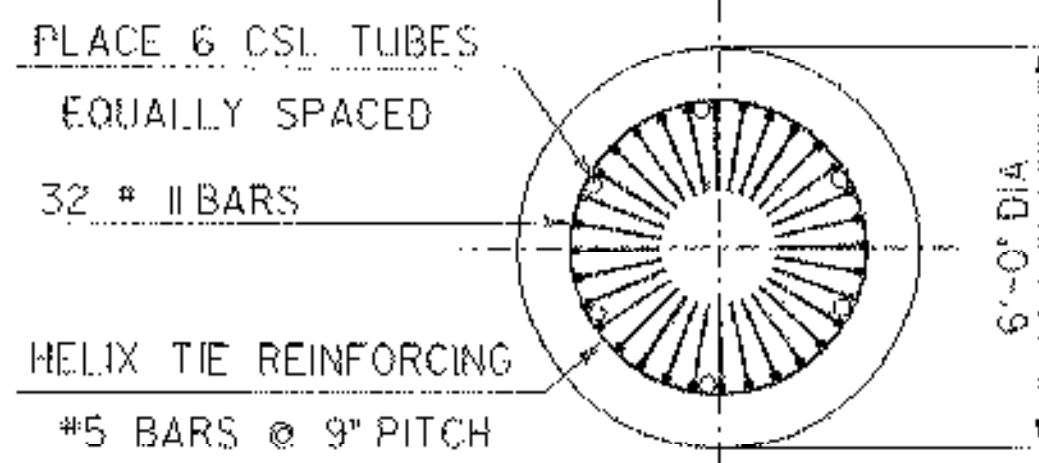
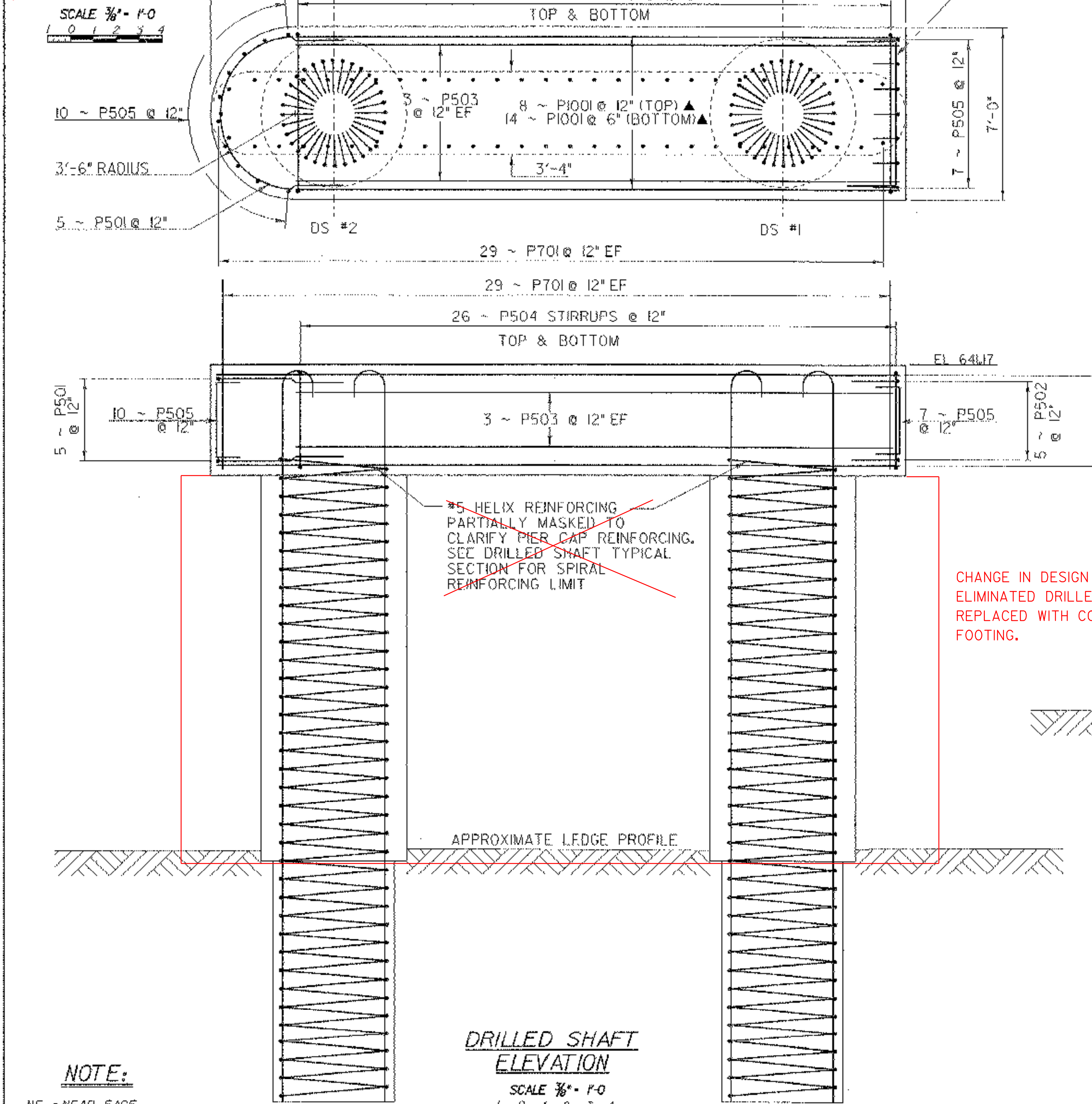
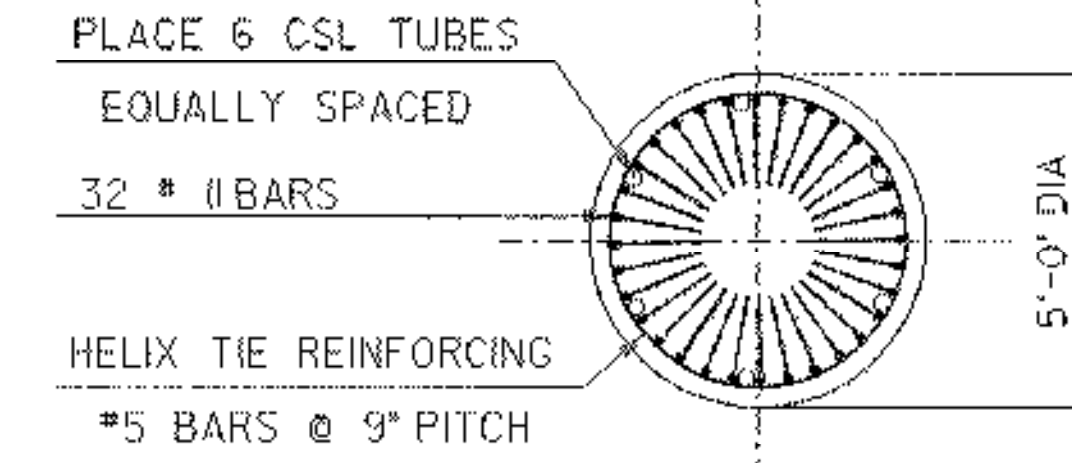


~~DRILLED SHAFT
CAP PLAN~~



~~DRILLED SHAFT IN EARTH
TYPICAL SECTION~~

SCALE 3/8" = 1'-0"
1 0 1 2 3 4

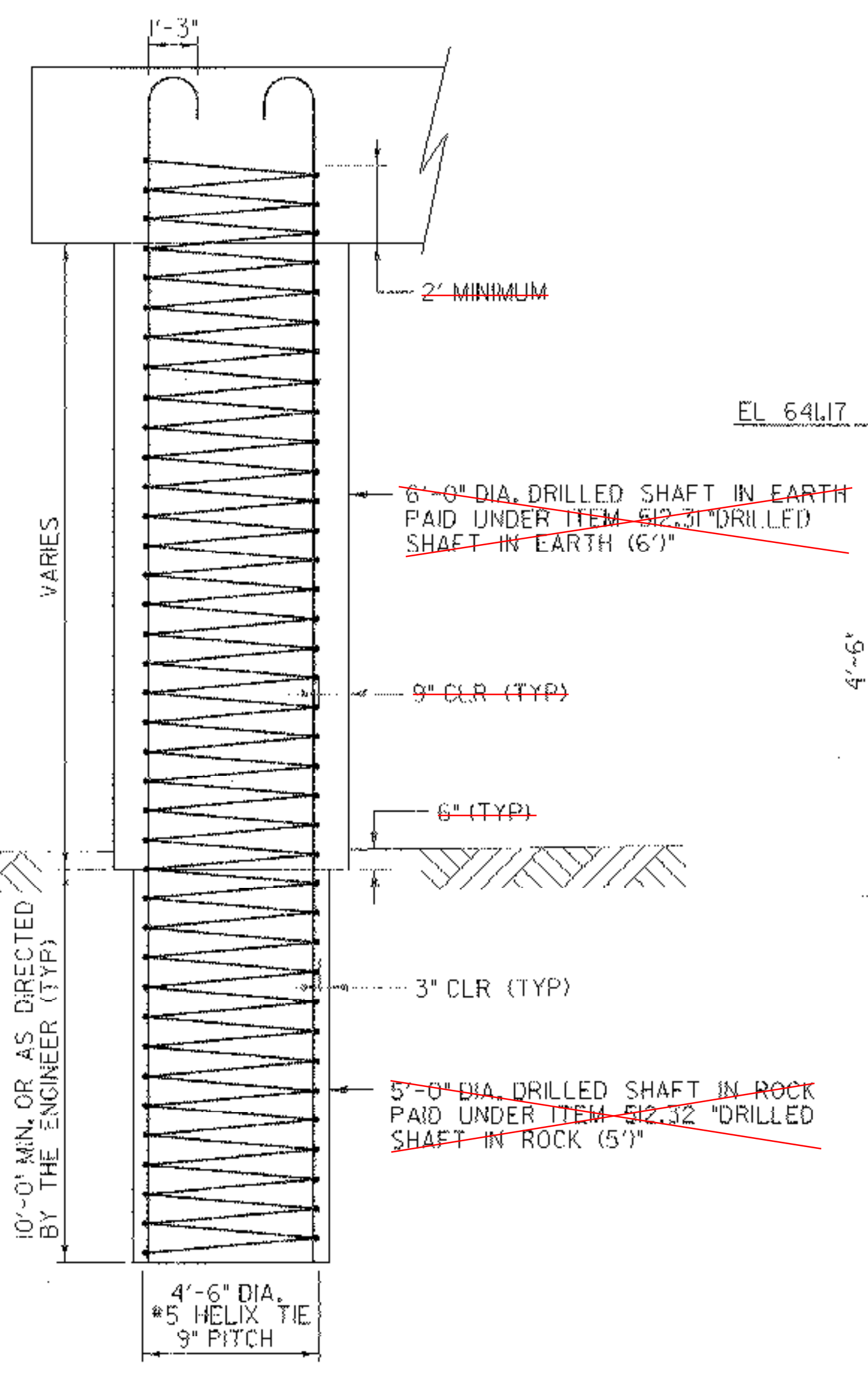


~~DRILLED SHAFT IN ROCK
TYPICAL SECTION~~

SCALE 3/8" = 1'-0"
1 0 1 2 3 4

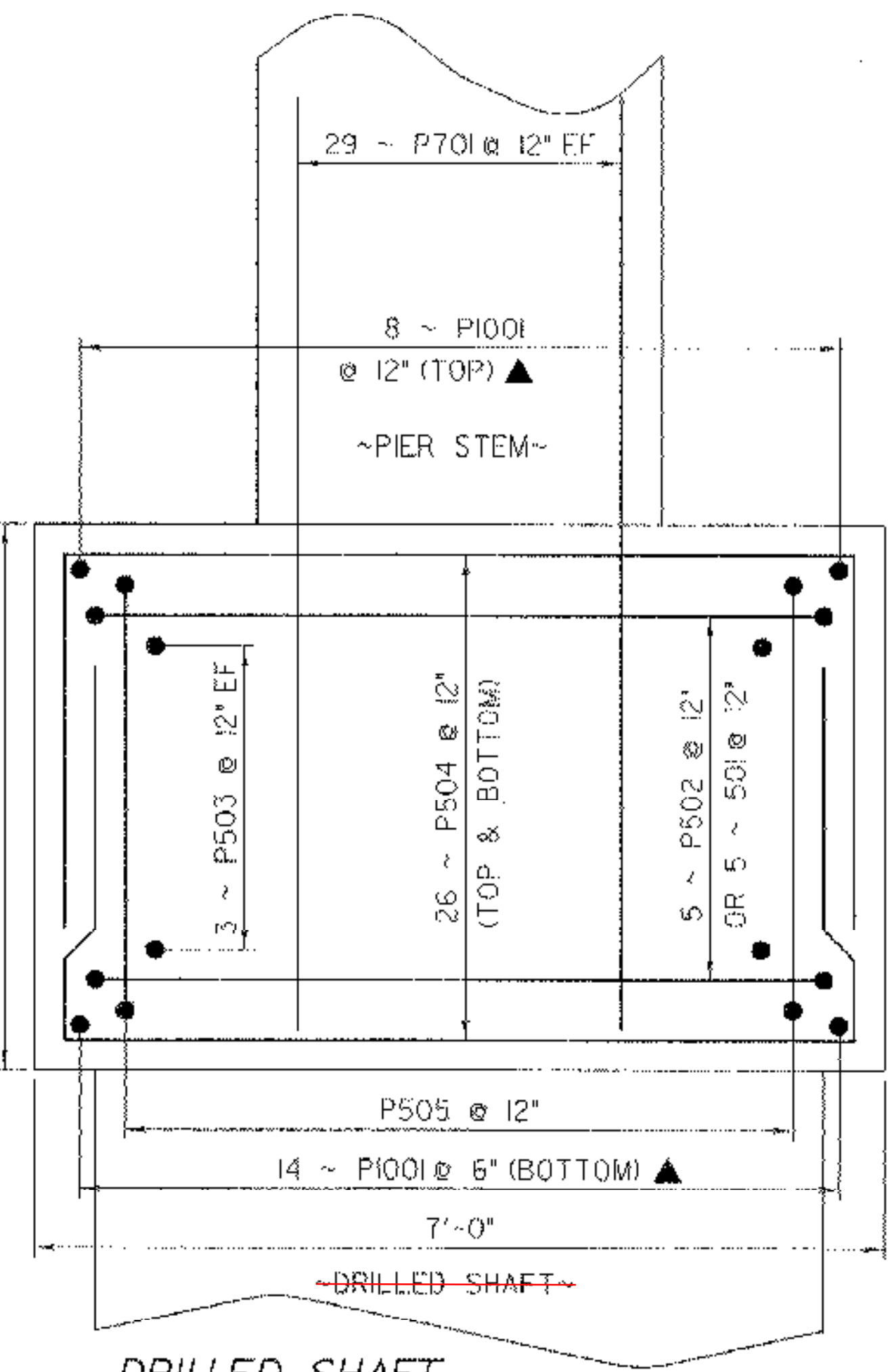
CHANGE IN DESIGN #1
ELIMINATED DRILLED SHAFT
REPLACED WITH CONCRETE
FOOTING.

#5 HELIX REINFORCING
PARTIALLY MASKED TO
CLARIFY PIER CAP REINFORCING.
SEE DRILLED SHAFT TYPICAL
SECTION FOR SPIRAL
REINFORCING LIMIT



~~DRILLED SHAFT
TYPICAL SECTION~~

SCALE 3/8" = 1'-0"
1 0 1 2 3 4



~~DRILLED SHAFT
CAP TYPICAL~~

SCALE 1" = 1'-0"
1 0 1 2 3 4

**PIER CAP
PLAN & ELEVATION
DRILLED SHAFT DETAILS**

NOTE:
NF = NEAR FACE
FF = FAR FACE
EF = EACH FACE
▲ = CUT TO FIT IN FIELD
3" CLR, UNLESS OTHERWISE NOTED
2'-2" BAR LAP UNLESS OTHERWISE NOTED

~~DRILLED SHAFT
ELEVATION~~

SCALE 3/8" = 1'-0"
1 0 1 2 3 4

PROJECT NAME:	RANDOLPH
PROJECT NUMBER:	BRF 0241 (29)
FILE NAME:	/str5/88j096/s88j096sub.dgn
PLOT DATE:	29-AUG-2006
PROJECT LEADER:	W. SYMONDS
DRAWN BY:	C. SHANGRAW
DESIGNED BY:	T. SUMNER
CHECKED BY:	T. FILLBACH
6j096shafts.i	SHEET 75 OF 135