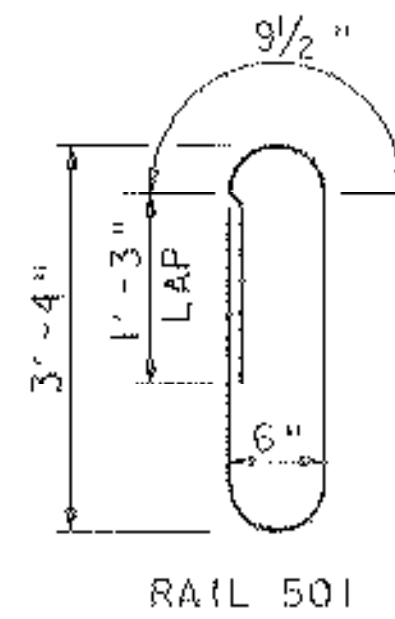


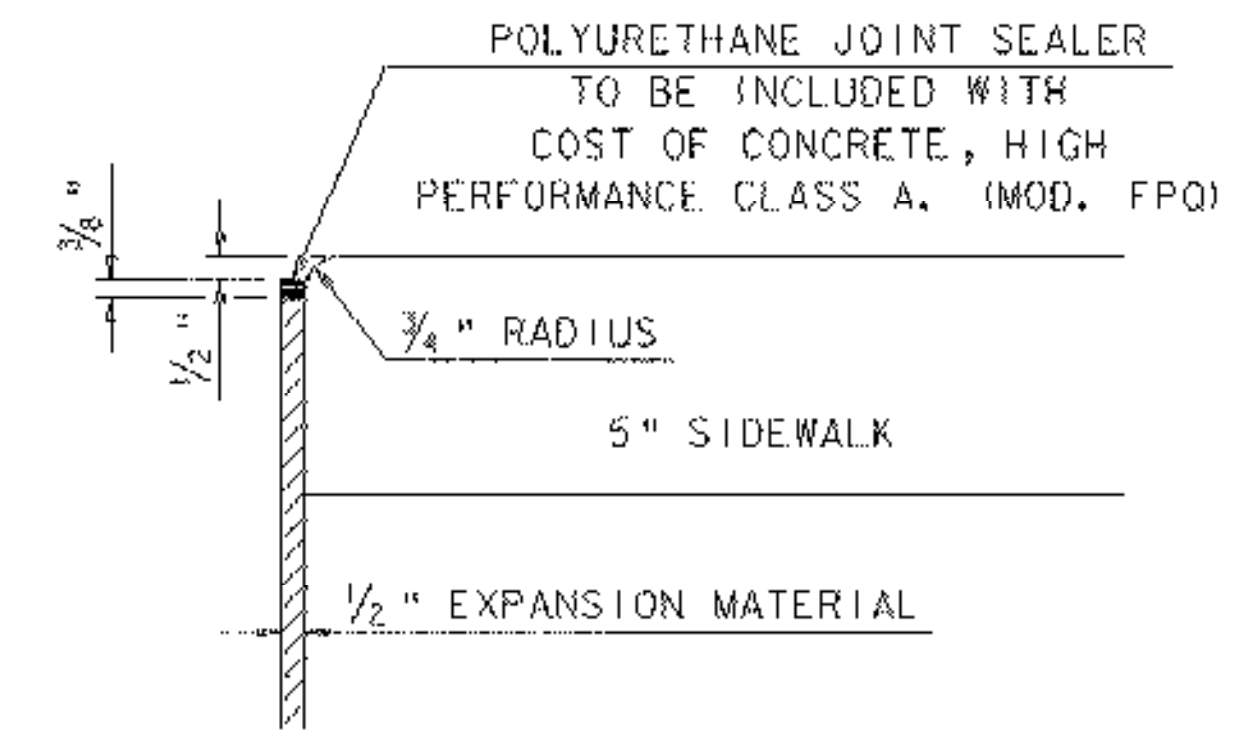
EXTERIOR PILASTER ELEVATIONS



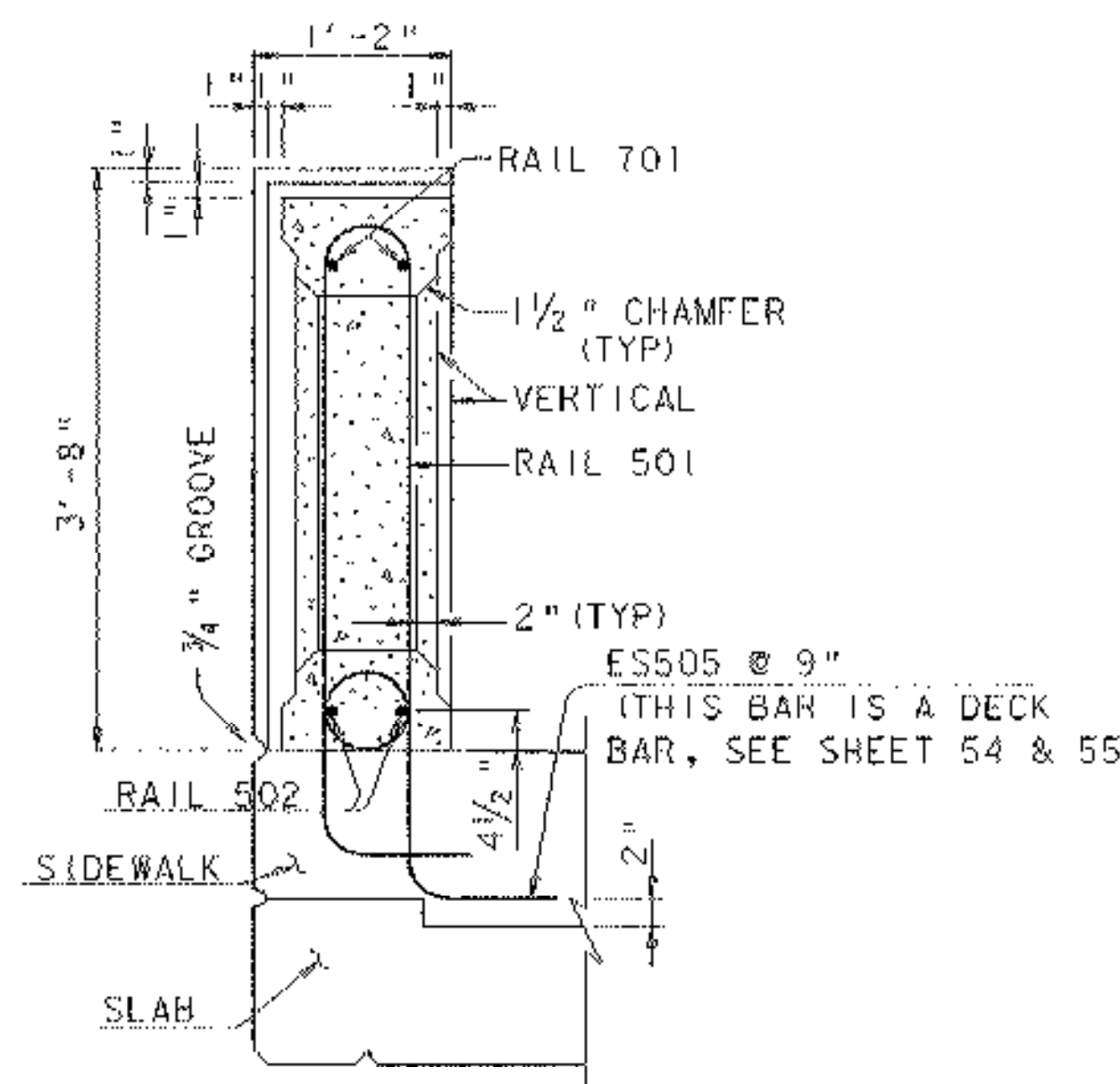
RAIL 501

BAR TYPES

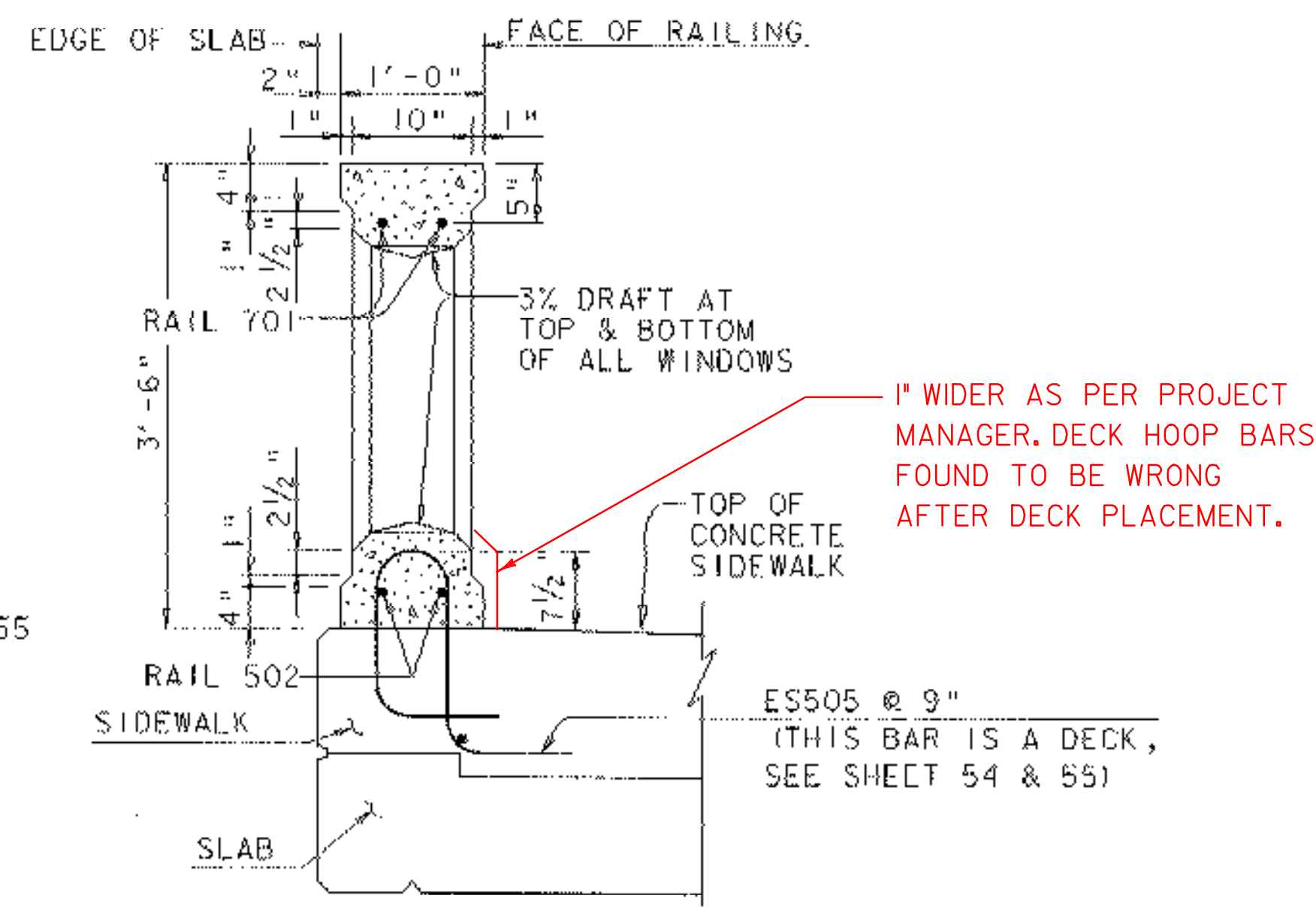
NOTE: "RAIL BARS" ARE IN ADDITION TO THOSE FOUND ON THE REINFORCING STEEL SCHEDULE SHEET 84. PAYMENT FOR THESE BARS ARE INCIDENTAL TO ITEM 525.50 CAST-IN-PLACE BRIDGE RAIL (TEXAS)



JOINT BETWEEN SIDEWALK AND WINGWALL



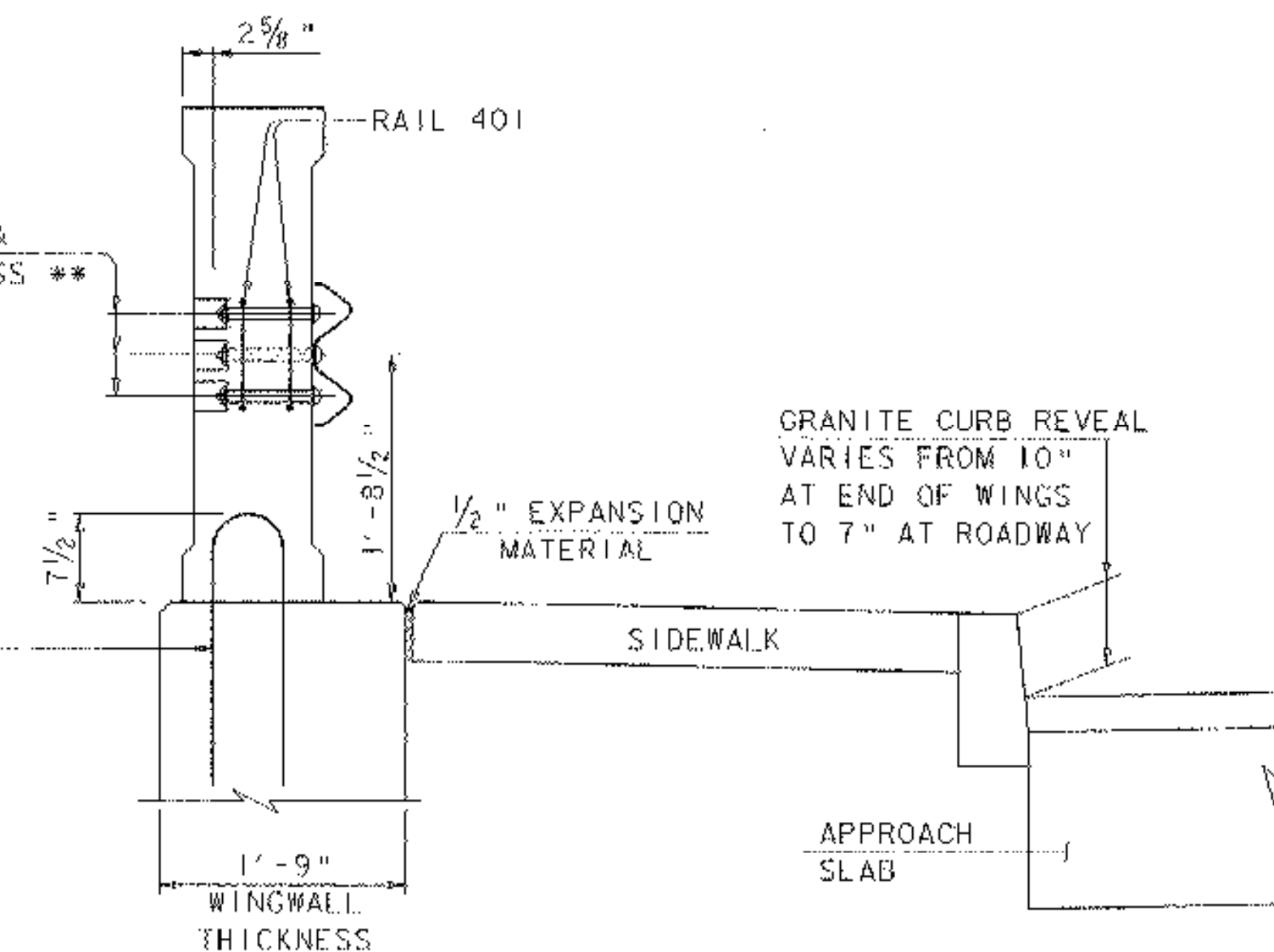
SECTION THRU POST ON BRIDGE SLAB (SHOWING PILASTER)



SECTION THRU WINDOW ON BRIDGE SLAB

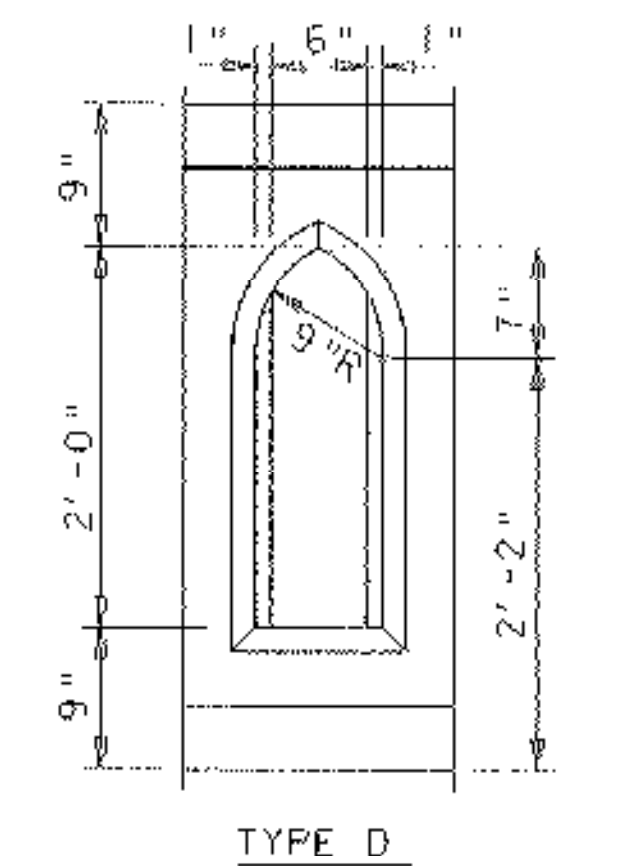
CL 1" DIA. HOLES & CL 2 1/2" DIA. RECESS ** FOR FOUR (4) 7/8" DIAMETER BOLTS FOR TERMINAL CONNECTORS

WW1/2 W508 (SEE SHEET 76)
WW3/4 W509 (SEE SHEET 77)
SEE SHEET 84 FOR STEEL SCHEDULE



SECTION THRU PARALLEL WINGWALL (SHOWING MBGF CONNECTION)

** NOTE: THE HOLES AND RECESSES MUST BE FORMED OR CORED. NO PERCUSSION DRILLING WILL BE ALLOWED.



WINDOW DETAIL

CAST-IN-PLACE BRIDGE CONCRETE RAIL (TEXAS)

PROJECT NAME:	RANDOLPH
PROJECT NUMBER:	BRF 0241 (29)
FILE NAME: /s/fr-5/88/096/s/096tex.dgn	PLOT DATE: 29-AUG-2006
PROJECT LEADER: W. SYMONDS	DRAWN BY: STRS
DESIGNED BY: W. B. SYMONDS	CHECKED BY: T. SUMNER
s/096tr2.1	SHEET 68 OF 135