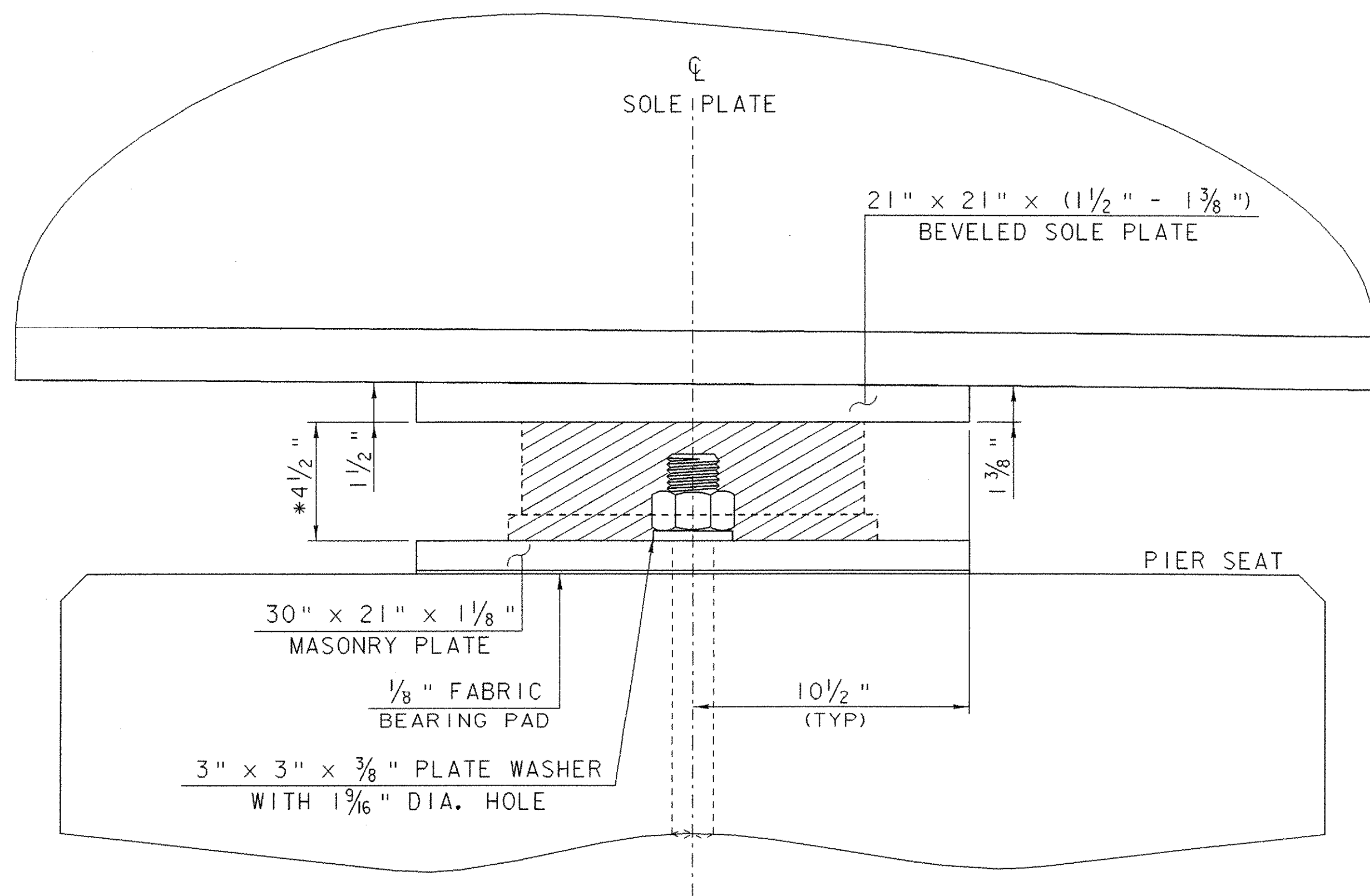
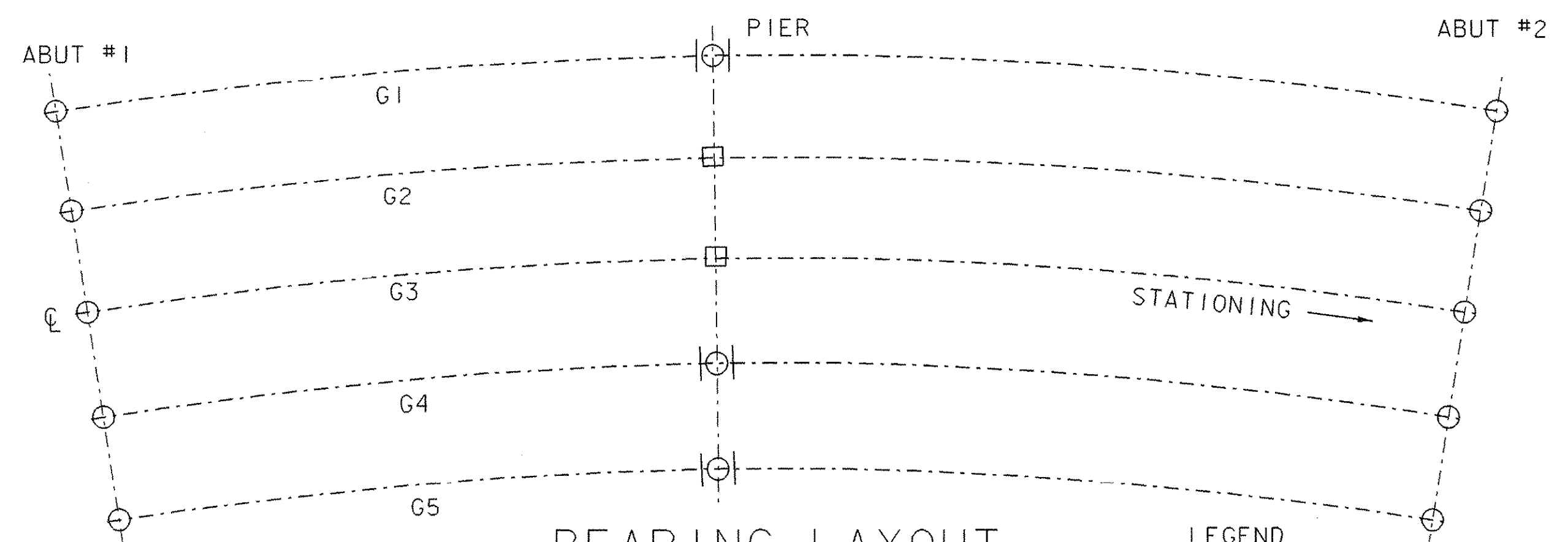


**PLAN**



**ELEVATION**

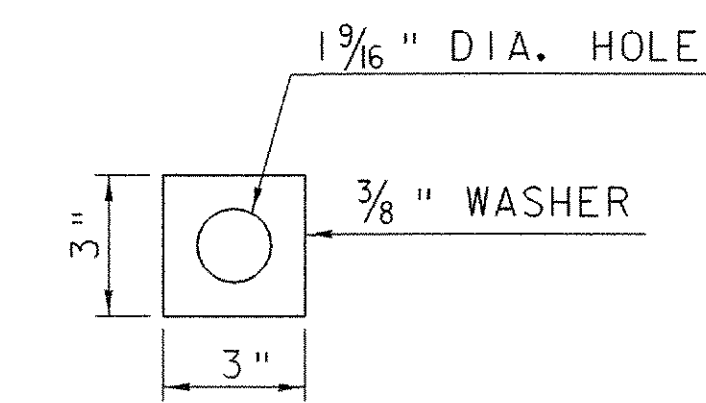
\* SEE FINAL SHOP DRAWINGS FOR EXACT DIMENSIONS. BRIDGE SEATS MAY NEED ADJUSTMENT. THE CROSS HATCHED COMPONENTS OF THE BEARING ARE SHOWN FOR REPRESENTATIVE PURPOSES ONLY. THE ACTUAL CONFIGURATION OF THE COMPONENTS WILL BE DEPENDENT UPON THE BEARING FABRICATOR.



**BEARING LAYOUT**

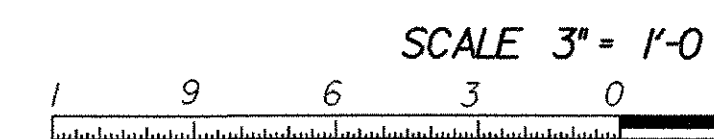
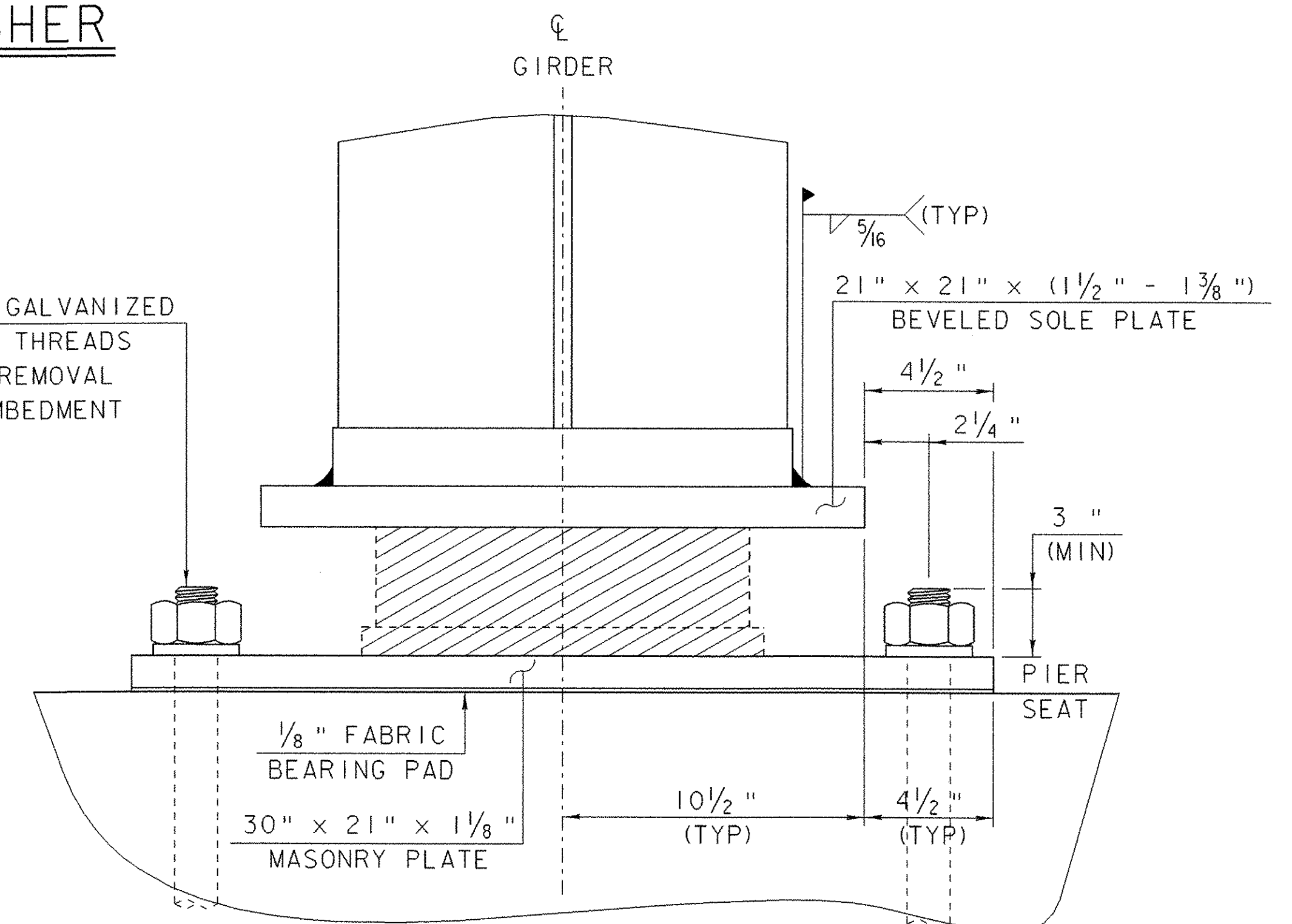
**LEGEND**

- FIXED POT BEARING
- GUIDED POT BEARING
- ELASTOMERIC BEARING



**WASHER**

1 1/2 " x 18 " SWAGED GALVANIZED ANCHOR BOLT BURR THREADS TO PREVENT NUT REMOVAL 1'-3" MINIMUM EMBEDMENT (TYP)



**SECTION**

**FIXED POT BEARINGS AT PIER - GIRDERS 2 & 3**

PROJECT NAME:	RANDOLPH
PROJECT NUMBER:	BRF 0241 (29)
FILE NAME: /str5/88j096/s88j096brg.dgn	PLOT DATE: 29-AUG-2006
PROJECT LEADER: W. SYMONDS	DRAWN BY: G. SHANGRAW
DESIGNED BY: T. SUMNER	CHECKED BY: T. FILLBACH
sj096br4.i	SHEET 65 OF 135