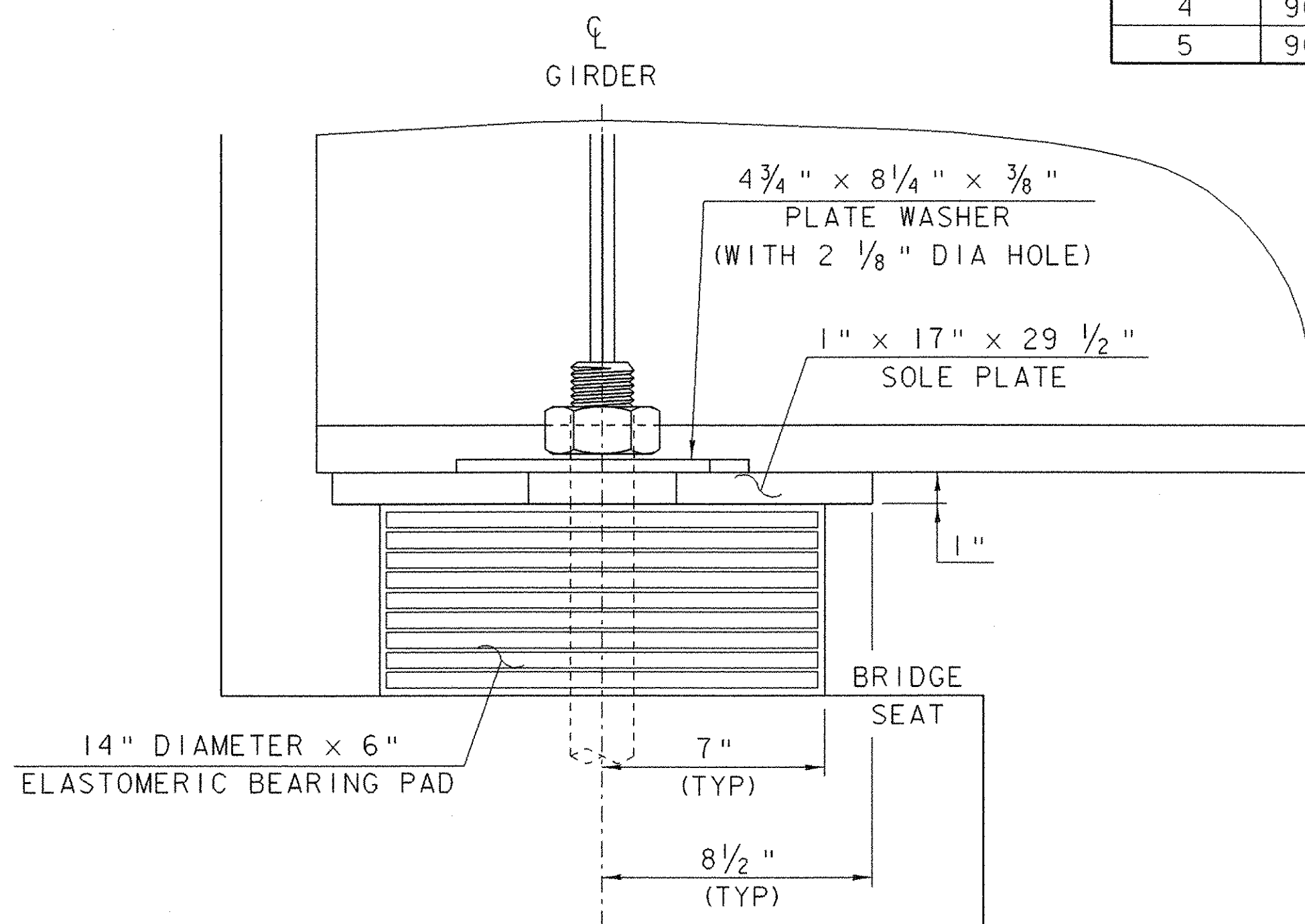
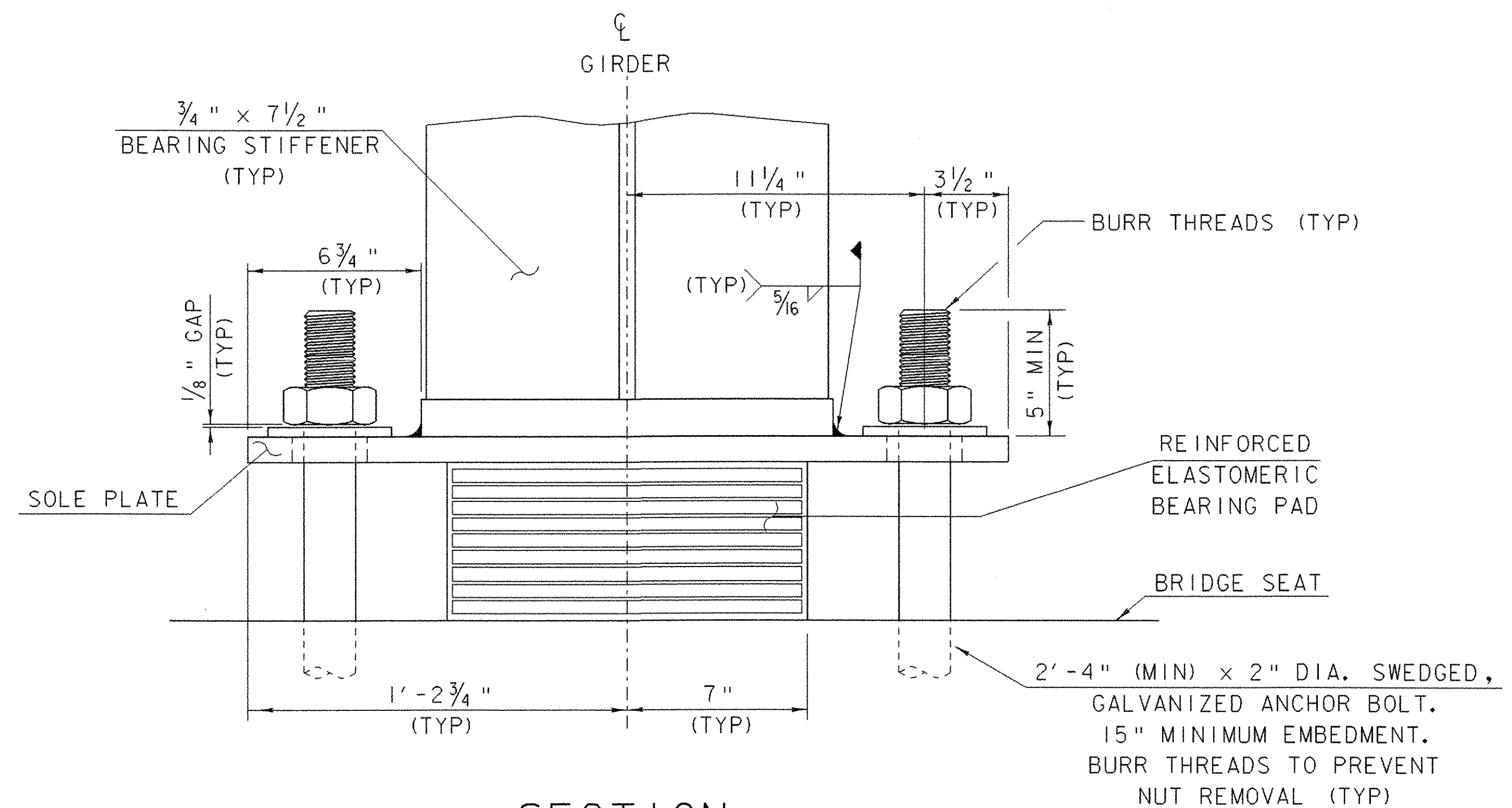


PLAN

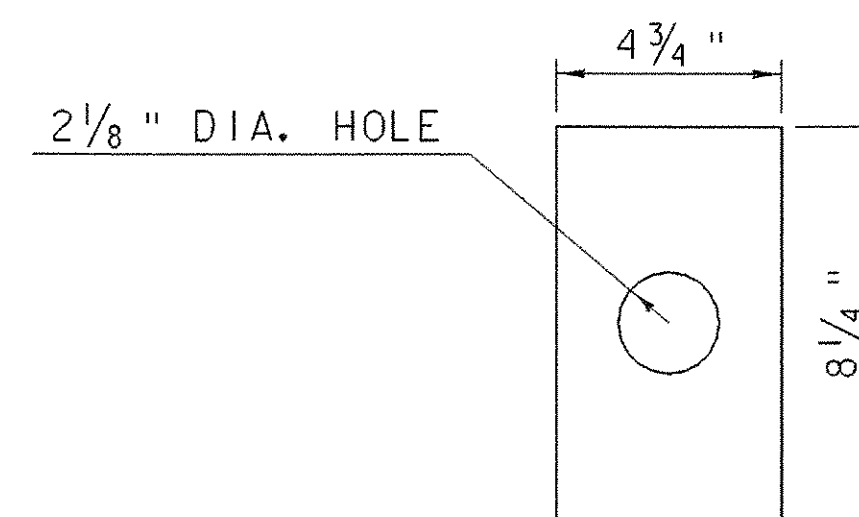
GIRDER	'Y' ANGLE
1	75°-11'-11"
2	80°-15'-49"
3	85°-30'-00"
4	90°-48'-45"
5	96°-06'-36"



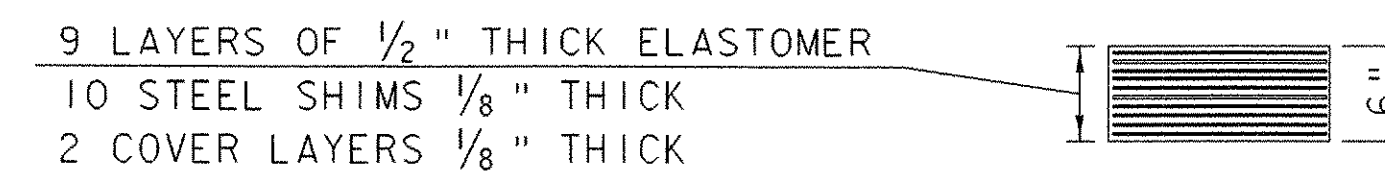
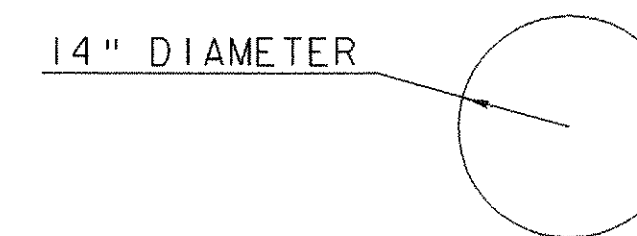
ELEVATION



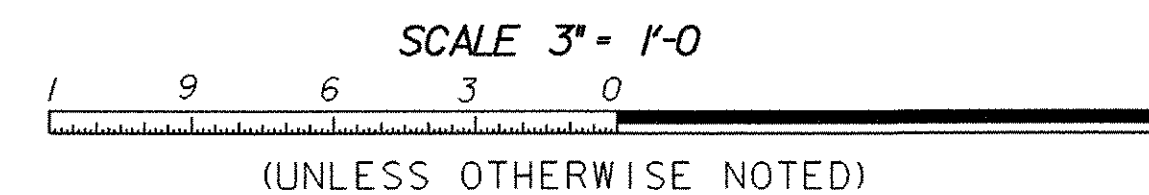
SECTION



WASHER



REINFORCED ELASTOMERIC PAD
SCALE: 1" = 1'-0"



SEE SHEET 66 OF 135 FOR NOTES.

ABUTMENT #1 BEARINGS

PROJECT NAME:	RANDOLPH
PROJECT NUMBER:	BRF 0241 (29)
FILE NAME:	/str5/88j096/s88j096brg.dgn
PROJECT LEADER:	W. SYMONDS
DESIGNED BY:	T. SUMNER
DRAWN BY:	G. SHANGRAW
CHECKED BY:	T. FILLBACH
SHEET	63 OF 135