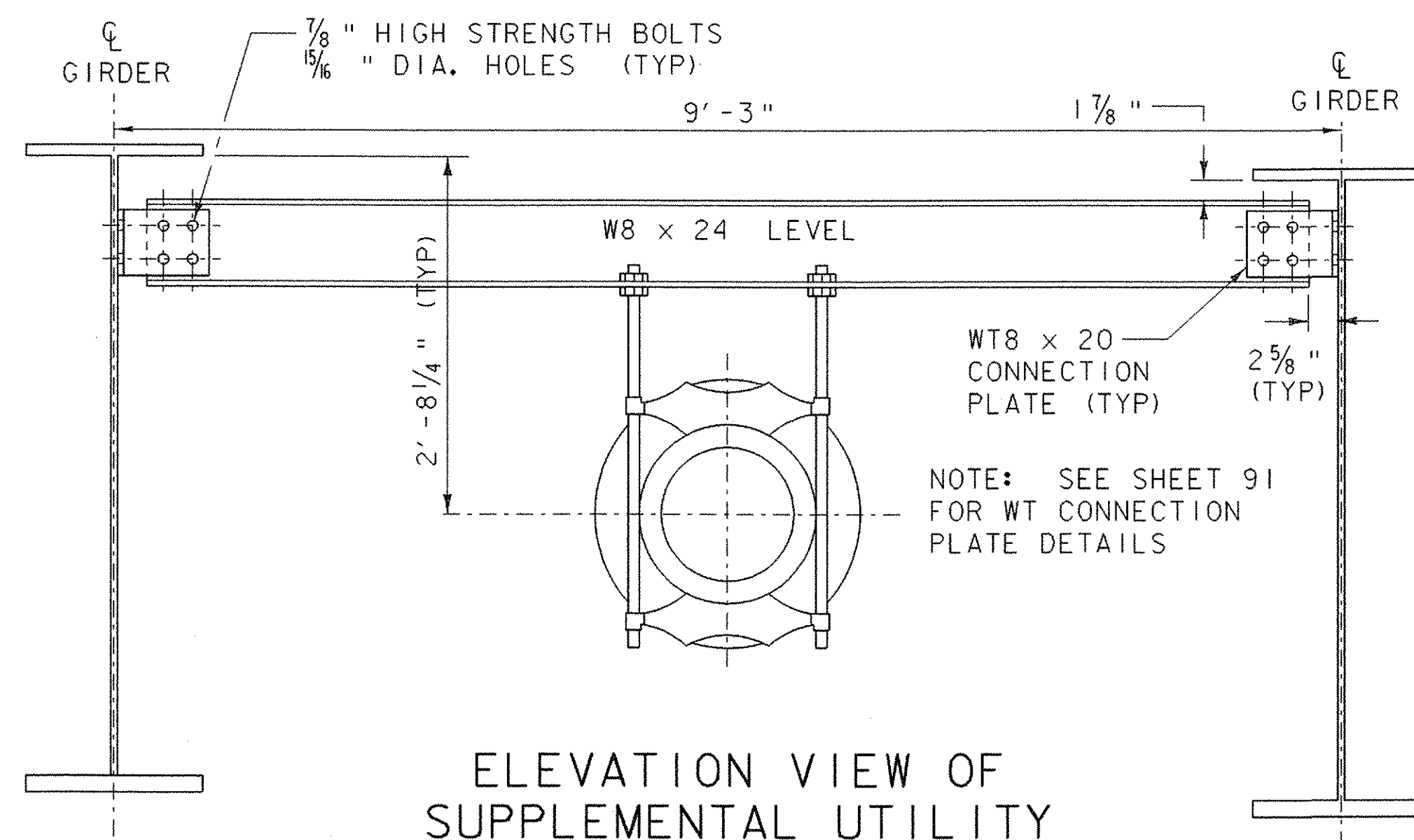


ELEVATION VIEW OF INTERMEDIATE CROSSFRAME

SCALE 1" = 1'-0"
1 9 6 3 0

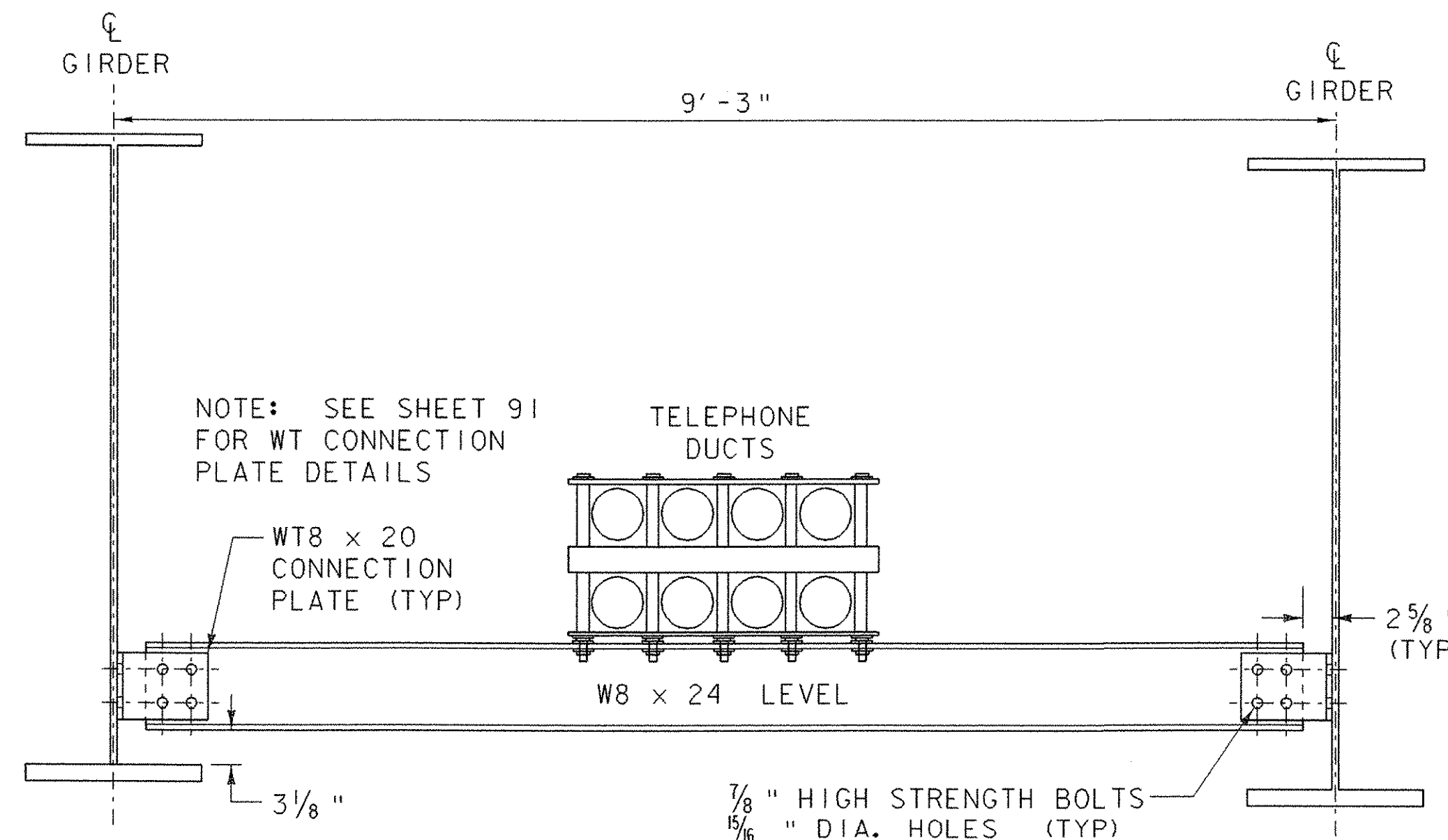
NOTES:

1. ALL CROSSFRAMES, CONNECTION PLATES AND SUPPLEMENTAL UTILITY DIAPHRAGM SHALL BE M270 GR 50W.
2. PAYMENT FOR ALL CROSSFRAMES, CONNECTION PLATES AND SUPPLEMENTAL UTILITY DIAPHRAGM SHALL BE PAID UNDER ITEM 506.55, "STRUCTURAL STEEL (PLATE GIRDER) (CURVED)".



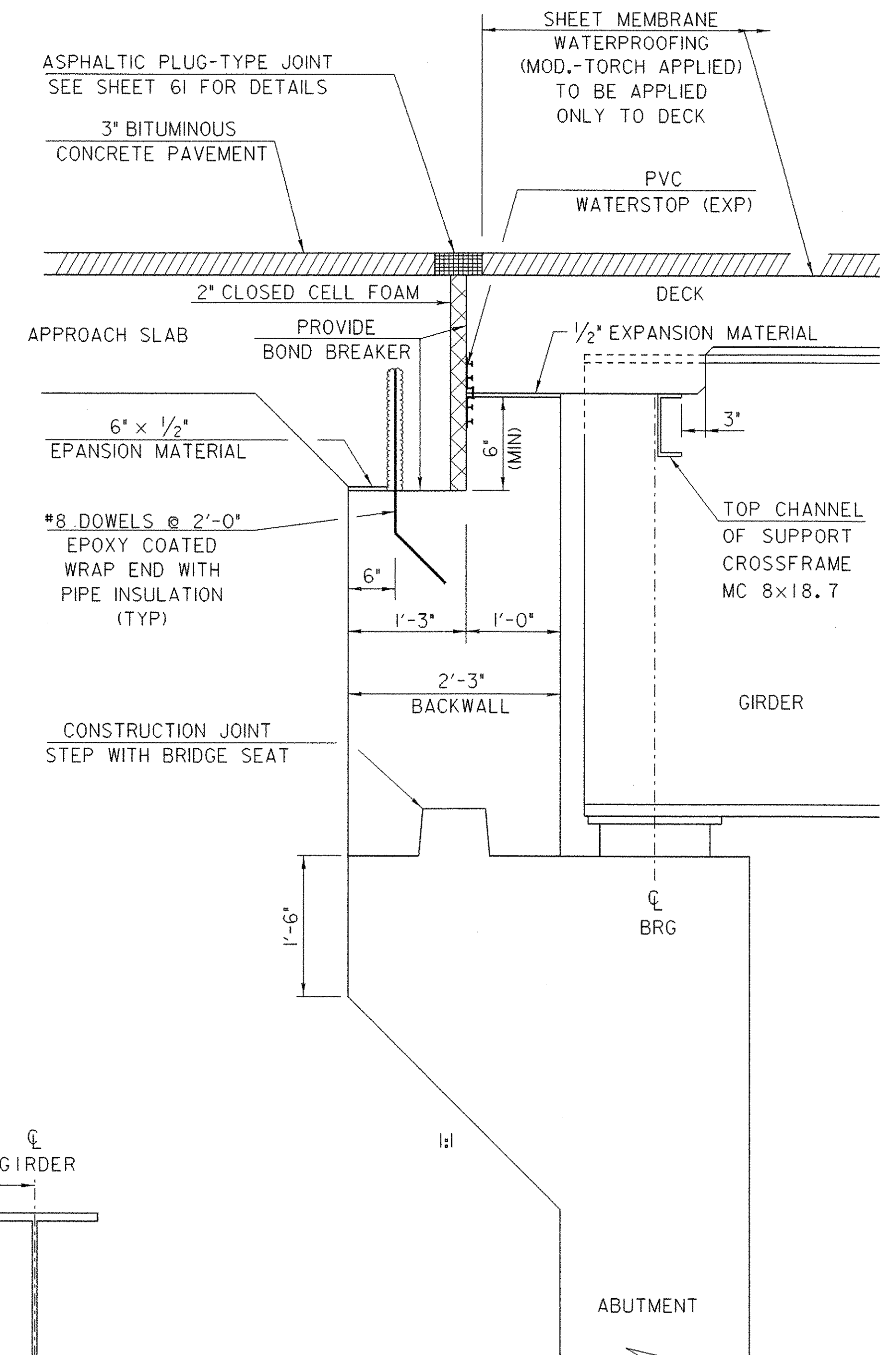
ELEVATION VIEW OF SUPPLEMENTAL UTILITY DIAPHRAGM (WATERLINE)

SCALE 1" = 1'-0"
1 9 6 3 0



ELEVATION VIEW OF SUPPLEMENTAL UTILITY DIAPHRAGM (TELEPHONE)

SCALE 1" = 1'-0"
1 9 6 3 0



END BRIDGE DETAIL

SCALE 1" = 1'-0"
1 9 6 3 0

*CVN - DENOTES THAT CHARPY V-NOTCH TEST IS REQUIRED

ELEVATION VIEW OF ABUTMENT/PIER CROSSFRAME

SCALE 1" = 1'-0"
1 9 6 3 0

CROSSFRAMES & END BRIDGE DETAIL

PROJECT NAME:	RANDOLPH	PLOT DATE:	29-AUG-2006
PROJECT NUMBER:	BRF 0241 (29)	DRAWN BY:	G. SHANGRAW
FILE NAME:	/str5/88j096/sj096sup.dgn	DESIGNED BY:	T. SUMNER
PROJECT LEADER:	W. SYMONDS	CHECKED BY:	T. FILLBACH
DESIGNED BY:	T. SUMNER	SHEET	59 OF 135