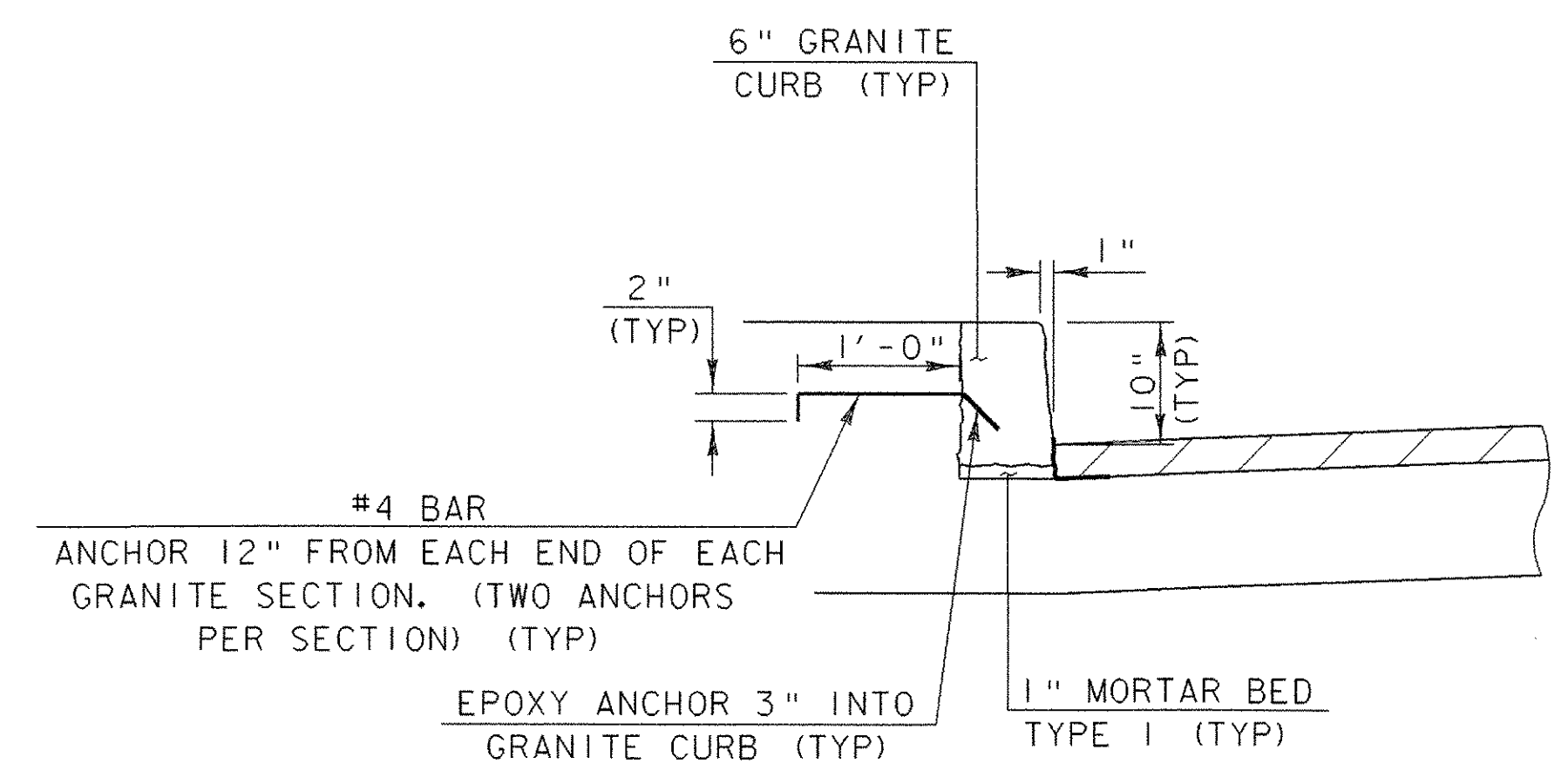


**DECK SECTION**

SCALE 1/2" = 1'-0"

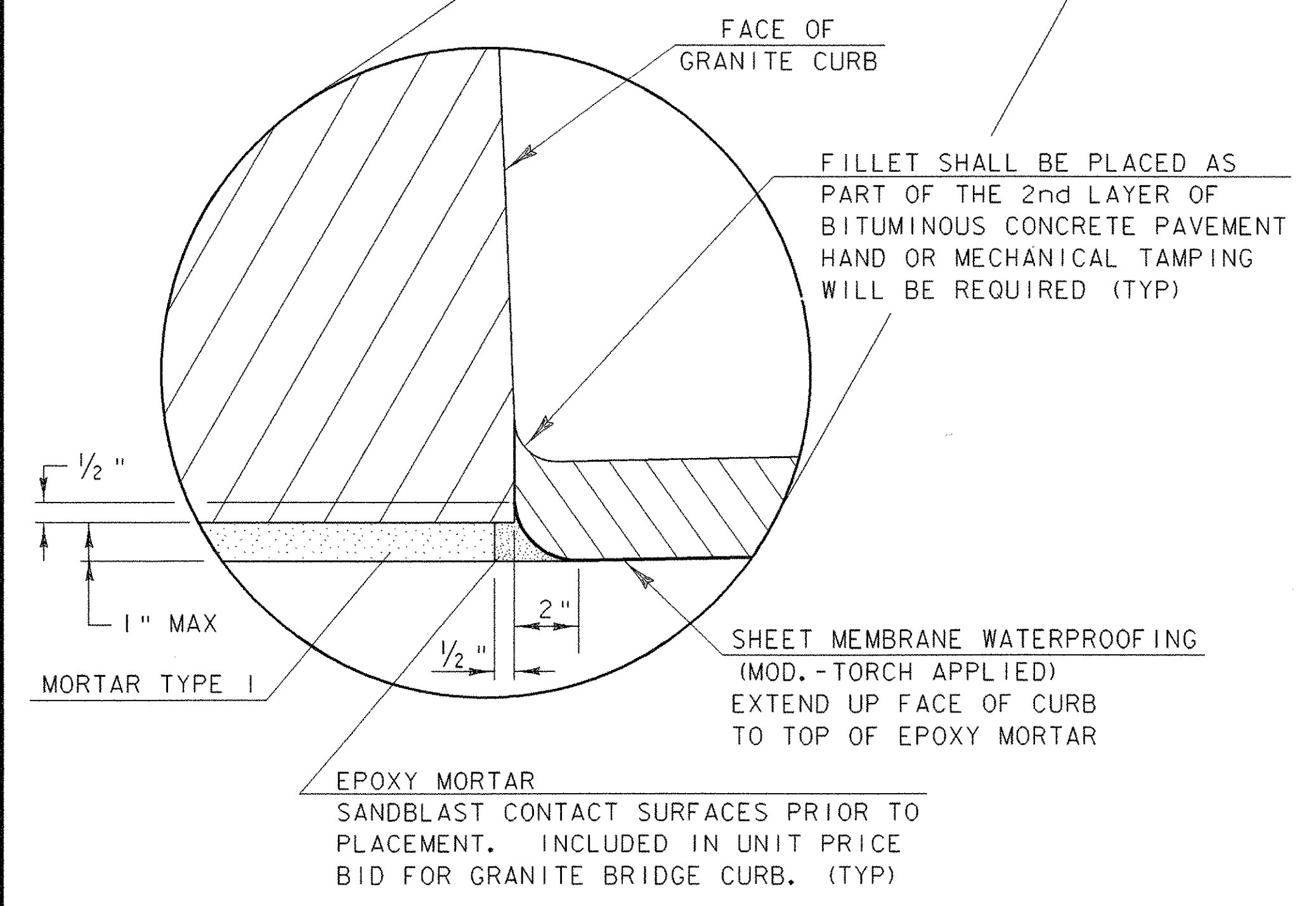
**GRANITE CURBING ON BRIDGE**

1. THE ITEM 616.22 "GRANITE BRIDGE CURB" SHALL INCLUDE THE COSTS OF MORTAR, TYPE I, EPOXY MORTAR, #4 EPOXY COATED ANCHORS, AND EPOXY USED TO SECURE THE ANCHORS TO THE GRANITE BRIDGE CURB.
2. BEFORE INSTALLATION OF THE GRANITE BRIDGE CURB THE CONTRACTOR SHALL PROVIDE THE RESIDENT ENGINEER WITH A TECHNICAL DATA SHEET FOR THE PROPOSED EPOXY FOR SECURING ANCHORS TO THE GRANITE CURBING. THE TECHNICAL DATA SHEET SHALL INCLUDE SPECIFICATIONS, AND MANUFACTURERS APPLICATION INSTRUCTIONS. THE RESIDENT ENGINEER SHALL APPROVE THE PRODUCT PRIOR TO ANY INSTALLATION.
3. THE EPOXY COATED ANCHORS SHALL BE SHIPPED FROM THE SUPPLIER, AFTER CUTTING AND BENDING, WITH A TOTAL SHOP APPLIED EPOXY COATING MEETING THE REQUIREMENTS FOR EPOXY COATED REINFORCING STEEL.
4. THE BLOCKS FOR THE GRANITE BRIDGE CURB MAY BE SHOP ASSEMBLED WITH THE ANCHORS WITH PERMISSION FROM THE RESIDENT ENGINEER.



**GRANITE CURB ATTACHMENT DETAILS**

SCALE 1" = 1'-0"



NOTE:  
 THE BACK FACE OF THE GRANITE CURB SHALL BE SATURATED. SURFACE DRY IMMEDIATELY PRIOR TO PLACEMENT OF ADJACENT SIDEWALK OR CURB CONCRETE.

**DECK TYPICAL SECTION**

PROJECT NAME:	RANDOLPH
PROJECT NUMBER:	BRF 0241 (29)
FILE NAME: /s/tr5/88j096/sj096sup.dgn	PLOT DATE: 29-AUG-2006
PROJECT LEADER: W. SYMONDS	DRAWN BY: G. SHANGRAW
DESIGNED BY: T. SUMNER	CHECKED BY: T. FILLBACH
sj096dk2.i	SHEET 54 OF 135