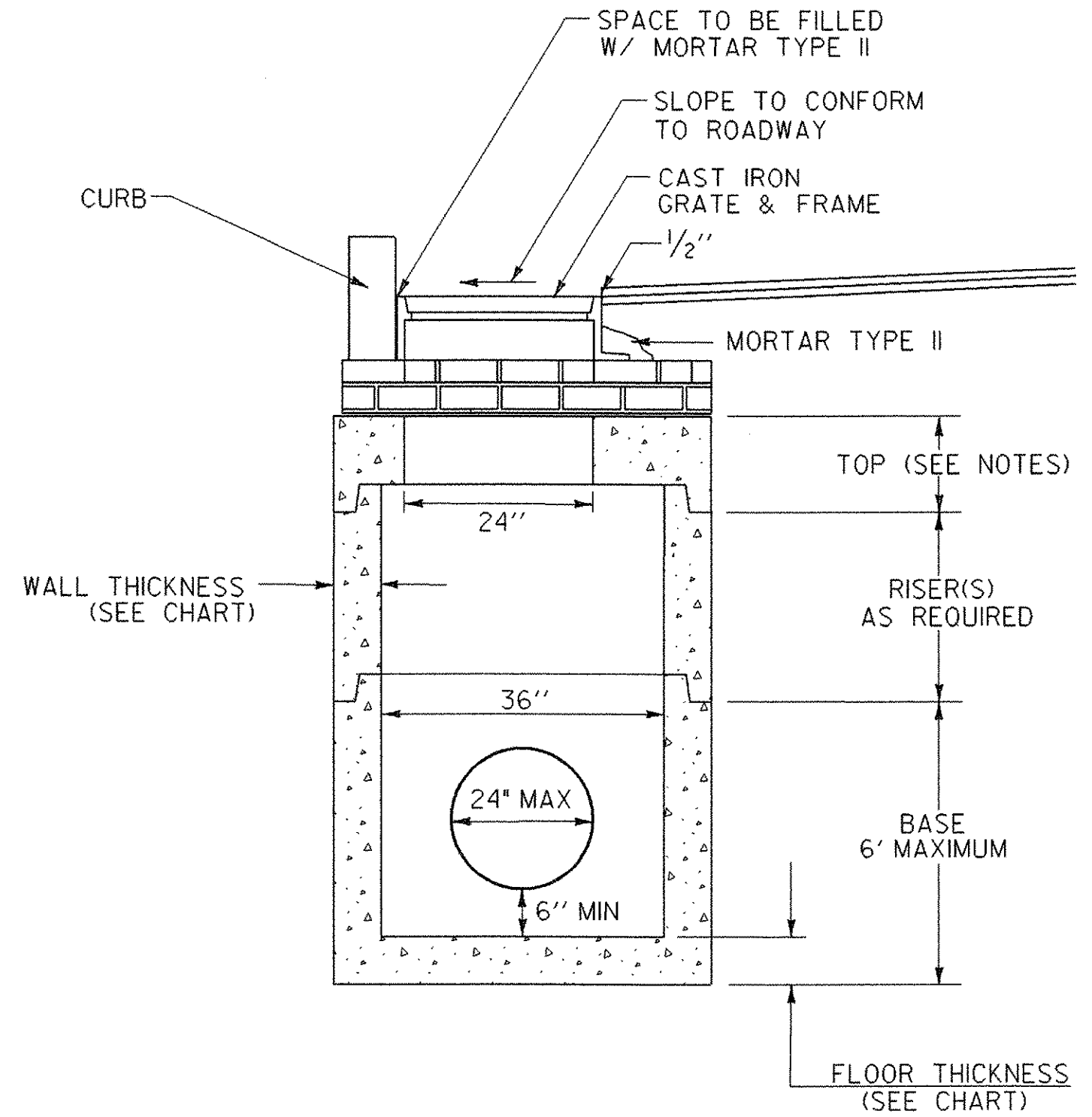


NOTE:
STEPS IN CATCH BASIN SHALL BE ORIENTATED UNDER THE DROP INLET GRATE TO PROVIDE ACCESS.

PRECAST CATCH BASIN
N. T. S.



PRECAST DROP INLET
N. T. S.

SIZING CHART

DIAMETER	WALL THICKNESS	FLOOR THICKNESS
48" OR SMALLER	5"	6"
60"	6"	8"
72"	7"	8"
84"	8"	10"
96"	9"	10"

NOTES:

1. ALL PRECAST CONCRETE DROP INLETS SHALL BE DESIGNED AND MANUFACTURED IN ACCORDANCE WITH AASHTO M199M / AASHTO M199
2. THE CONTRACTOR IS RESPONSIBLE FOR VERIFYING ALL INVERT ELEVATIONS, PIPE SIZES AND LOCATIONS SHOWN PRIOR TO ORDERING THE PRECAST COMPONENTS.
3. SEE STANDARDS D-II, D-15, AND D-16 FOR CAST IRON FRAME AND GRATE DETAILS.
4. THE TOP SECTIONS MAY BE EITHER THE FLAT TOPS AS SHOWN OR CONE SECTIONS. IF CONE SECTIONS ARE USED THEY MAY EITHER BE CONCENTRIC OR ECCENTRIC. PIPES ARE NOT PERMITTED TO ENTER CONE SECTIONS.
5. PRECAST SECTIONS SHALL HAVE A TONGUE AND GROVE JOINT 4" HIGH AT AN ANGLE OF 11 DEGREES CENTERED IN THE WIDTH OF THE JOINT. ALL SECTIONS SHALL BE ASSEMBLED USING AN APPROVED FLEXIBLE SEALANT.
6. ALL SECTIONS WITH MULTIPLE PIPES SHALL HAVE A MINIMUM OF 1'-0" OF OUTSIDE SURFACE BETWEEN HOLES. NO MORE THAN 75% OF A HORIZONTAL CROSS SECTION SHALL BE HOLES. HOLES SHALL BE NO CLOSER THAN 3" TO A JOINT.
7. SEE STANDARD D-15 FOR SIZING AND SPACING OF STEPS.

PRECAST DROP INLET & PRECAST CATCH BASIN

PROJECT NAME:	RANDOLPH		
PROJECT NUMBER:	BRF 0241(29)		
FILE NAME:	str5/88j096/precastDI.dgn	PLOT DATE:	29-AUG-2006
PROJECT LEADER:	W. Symonds	DRAWN BY:	G. Shangraw
DESIGNED BY:	W. Symonds	CHECKED BY:	T. Sumner
	sj096precast.i		SHEET 44 OF 135

Not To Scale