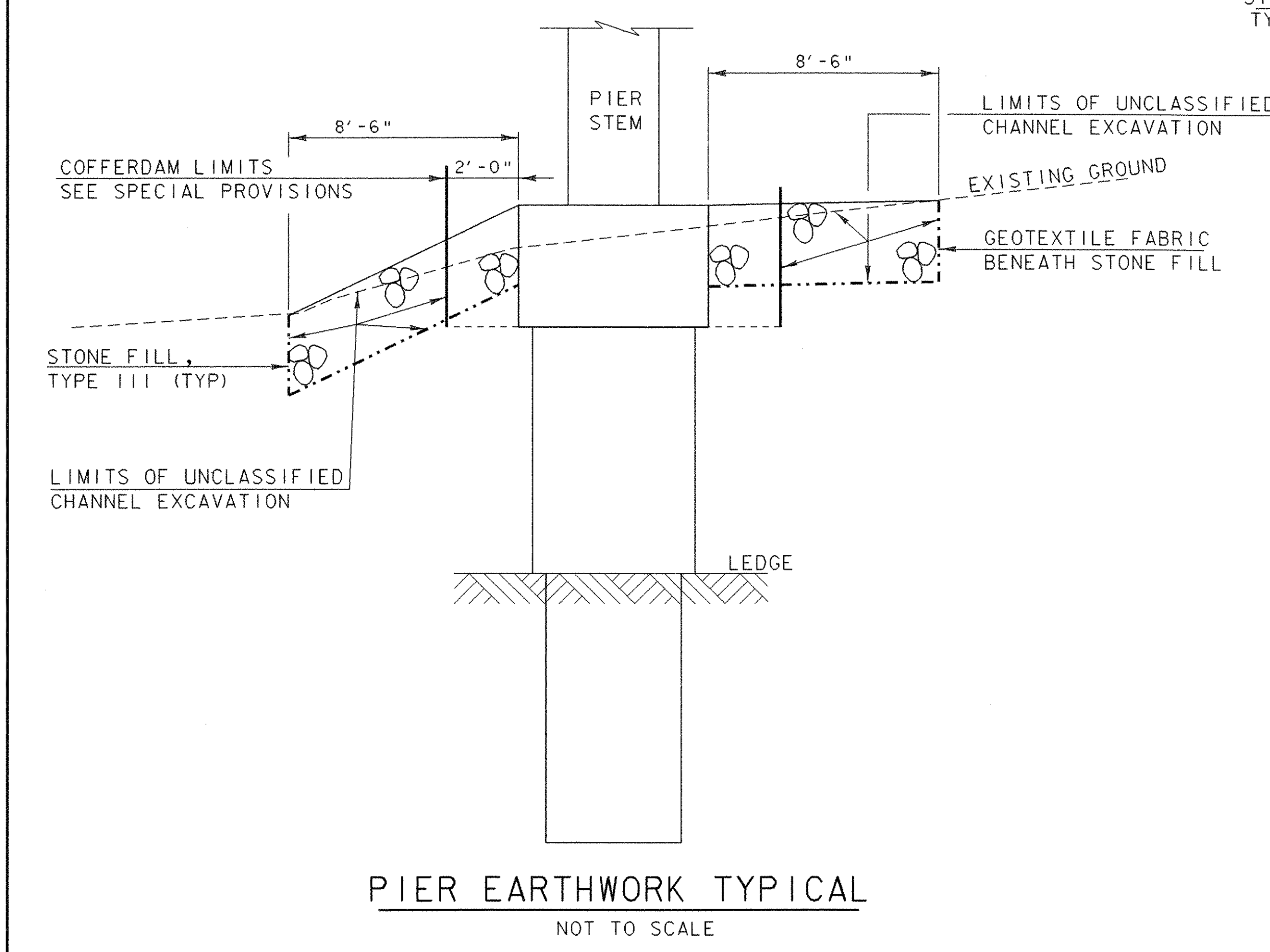
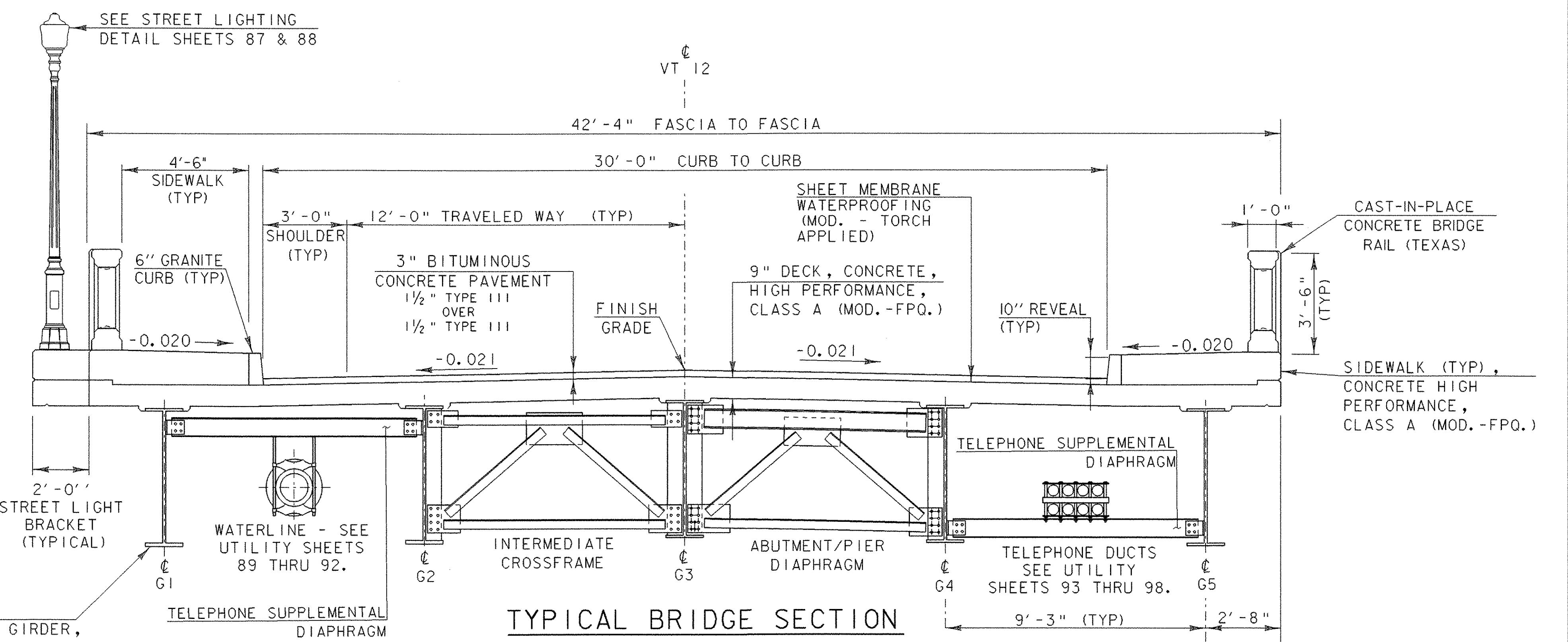


NOTE: REFER TO SHEET #45, NOTE #7.

ABUTMENT EARTHWORK TYPICAL FOR ABUTMENT 2
NOT TO SCALE

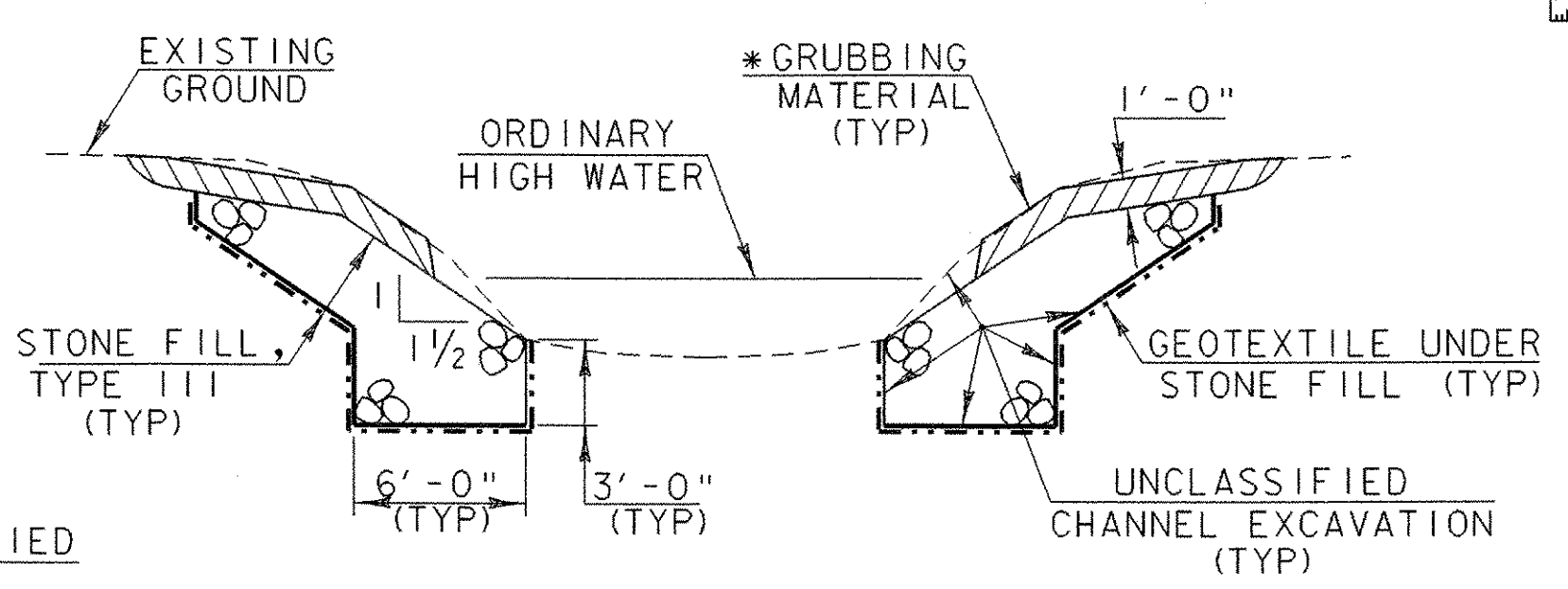


PIER EARTHWORK TYPICAL
NOT TO SCALE



TYPICAL BRIDGE SECTION

SCALE 3/8" = 1'-0"
0 1 2 3 4

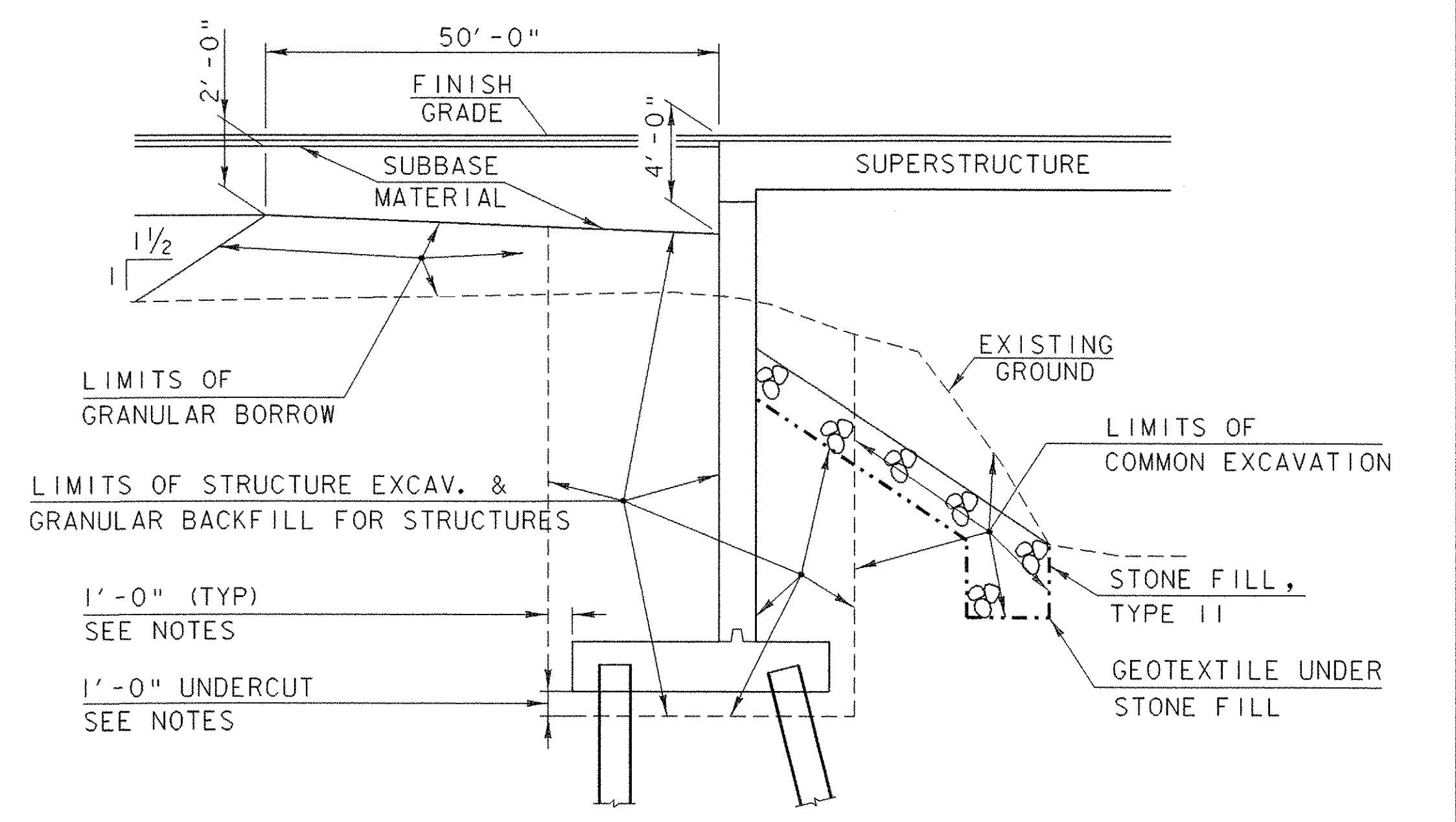


TYPICAL CHANNEL SECTION

*GRUBBING MATERIAL SHALL NOT BE PLACED ON THE STONE FILL IN THE AREA UNDER THE BRIDGE.

NOTES

1. COFFERDAM LIMITS TO BE DETERMINED BY THE CONTRACTOR.
2. THE PAY LIMITS OF "COFFERDAM EXCAVATION, EARTH" AND "COFFERDAM EXCAVATION, ROCK" SHALL BE 2'-0" OUTSIDE THE PERIMETER OF THE FOOTING FOR THE PIER, AND AS SHOWN IN "COFFERDAM LIMITS FOR ABUTMENT 2 PLAN VIEW", UP TO EXISTING GROUND OR BOTTOM OF SUBBASE, WHICHEVER IS LOWER.
3. IF A COFFERDAM IS CONSTRUCTED WHICH IS LARGER THAN THE INDICATED COFFERDAM EXCAVATION PAY LIMITS, PAYMENT FOR ALL UNCLASSIFIED CHANNEL EXCAVATION, INCLUDING THAT PORTION WHICH IS INSIDE THE COFFERDAM BUT OUTSIDE THE COFFERDAM EXCAVATION PAY LIMITS, WILL BE MADE AT THE CONTRACT UNIT PRICE FOR UNCLASSIFIED CHANNEL EXCAVATION.
4. THE PAY LIMITS OF "STRUCTURE EXCAVATION, SHALL BE 1'-0" OUTSIDE THE PERIMETER OF THE FOOTING, UP TO EXISTING GROUND OR BOTTOM OF SUBBASE, WHICHEVER IS LOWER.
5. ONE FOOT (1'-0") UNDERCUT AS DETERMINED NECESSARY BY THE RESIDENT ENGINEER.



ABUTMENT EARTHWORK TYPICAL FOR ABUTMENT 1
NOT TO SCALE

TYPICAL BRIDGE SECTION

PROJECT NAME:	RANDOLPH
PROJECT NUMBER:	BRF 0241 (29)
FILE NAME: /str5/88j096/sj096typ.dgn	PLOT DATE: 29-AUG-2006
PROJECT LEADER: W. SYMONDS	DRAWN BY: G. SHANGRAW
DESIGNED BY: W.B. SYMONDS	CHECKED BY: T. SUMNER
sj096typ.i	SHEET 4 OF 135