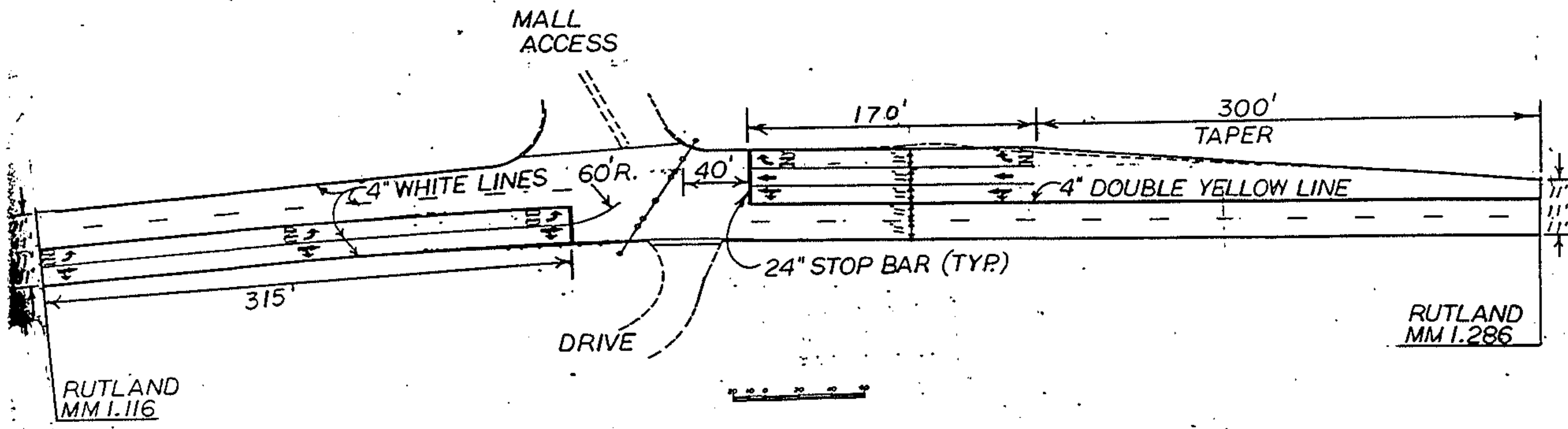
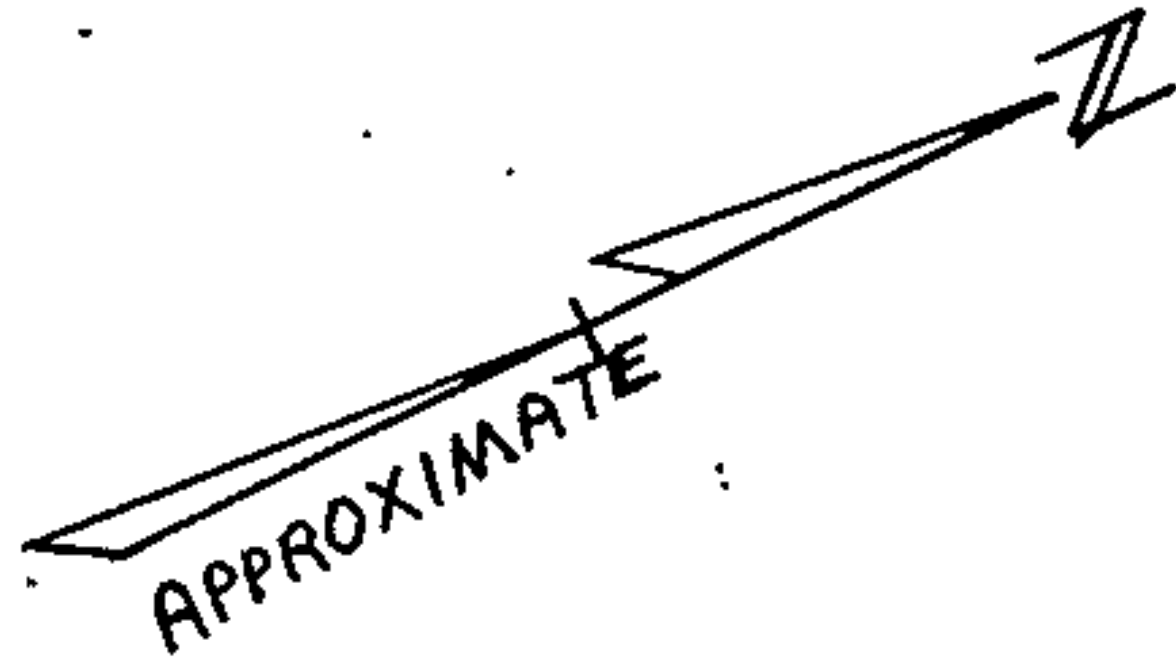


NOTE: ALL MARKINGS DETAILED ON THIS SHEET  
ARE DURABLE EXCEPT EDGE LINES  
FOR MORE DETAILS SEE SHEET 11 OF 12  
AND STANDARD E-50



RUTLAND-MENDON  
U.S. RTE. 4  
HMA 2847

SHT 12 OF 12  
SHT 65 OF 75