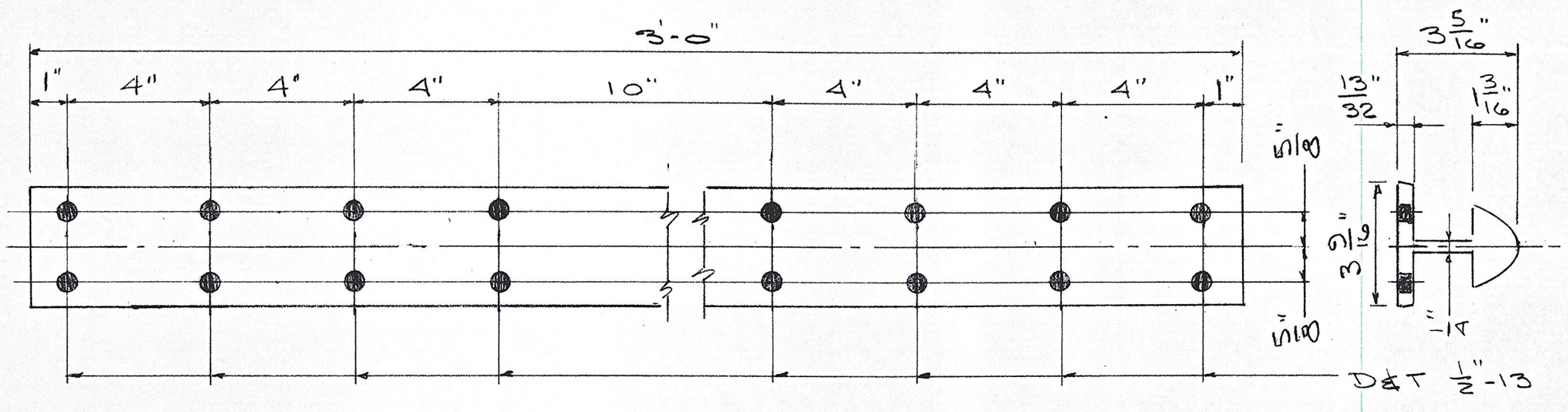
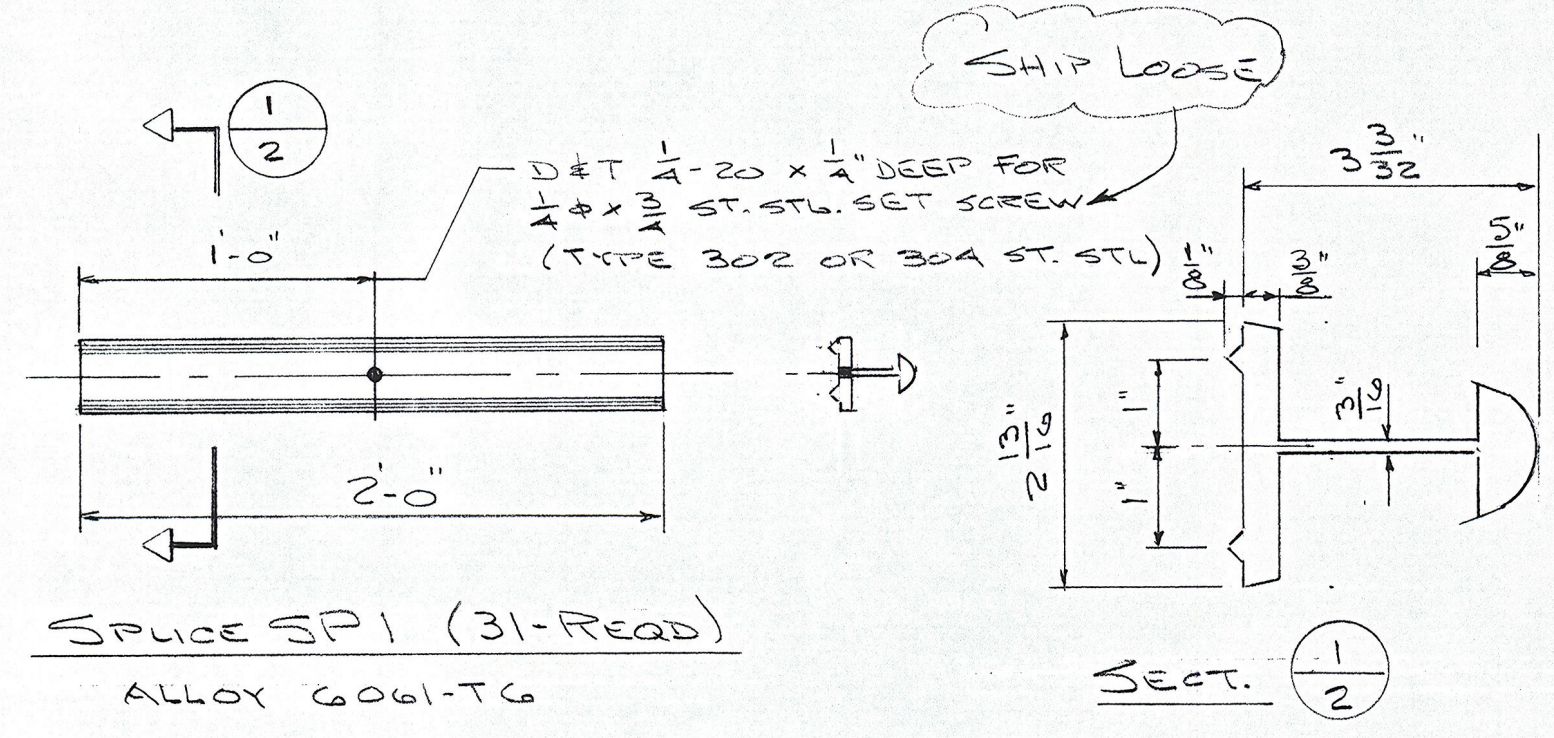


STANDOFF ST1 (133-Reqd)
ALLOY 6061-T6

POST P1 (133-Reqd)
ALLOY 6061-T6



SPLICE SP2 (62-Reqd)
ALLOY 6061-T6

SHOP DRAWING REVIEW
REVIEW IS ONLY FOR GENERAL CONFORMANCE WITH DESIGN CONCEPT

PROVIDE AS SUBMITTED
 PROVIDE AS CORRECTED
 REVISE AND RESUBMIT
 REJECTED - SEE REMARKS
 SUBMITTAL NOT REQUIRED - RETURNED WITHOUT REVIEW

THIS REVIEW IS ONLY FOR GENERAL CONFORMANCE WITH THE DESIGN CONCEPT OF THE PROJECT AND GENERAL COMPLIANCE WITH THE INFORMATION GIVEN IN THE CONTRACT DOCUMENTS. ANY ACTION, CORRECTIONS OR COMMENTS SHOWN AND/OR NOTED ARE SUBJECT TO THE REQUIREMENTS OF THE CONTRACT DOCUMENTS. CONTRACTOR IS RESPONSIBLE FOR DETERMINING THE ACCURACY AND COMPLETENESS OF DETAILS, SUCH AS DIMENSIONS AND QUANTITIES; SUBSTITUTING INSTRUCTIONS FOR INSTALLATION OR PERFORMANCE OF EQUIPMENT OR SYSTEMS; THE MEANS, METHODS, TECHNIQUES, SEQUENCES AND PROCEDURES OF CONSTRUCTION; INCLUDING SAFETY PRECAUTIONS AND PROCEDURES; AND THE SELECTION OF FABRICATION PROCESSES. ENGINEER'S APPROVAL OF A SPECIFIC ITEM SHALL NOT INDICATE APPROVAL OF AN ASSEMBLY OF WHICH THE ITEM IS A COMPONENT. FURTHER, ENGINEER'S REVIEW OF CONTRACTOR'S SUBMITTALS SHALL NOT RELIEVE THE CONTRACTOR OF ITS OBLIGATIONS UNDER THE CONTRACT DOCUMENTS WITH RESPECT TO THE PREPARATION AND/OR APPROVAL OF SUCH SUBMITTALS.

CLD CONSULTING ENGINEERS, INC.
540 COMMERCIAL STREET
MANCHESTER, NEW HAMPSHIRE

BY: JH DATE: 8-14-05

2		6-15-05	REV. PER ENGINEER	AUCIELLO IRON WORKS INC 560 MAIN ST. HUDSON, MA (978) 568-8382	
1		5-23-05	FOR APPROVAL	VT. AGENCY OF TRANSPORTATION BURLINGTON PROJ #MEG05000 (15)	
ISSUE		DATE	DESCRIPTION	U.S. ROUTE 7 (RIVERSIDE AVE)	
				ALUM. APPROACH RAILING	
				SURFACE PREP: NONE FINISH: BLACK ANODIZE	
				FOR: F.R. LAFAYETTE, INC.	
				DR: WM 5-17-05 DWG. NO.	
				CHK: 5-20-05 BR-2862	
				JOB NO. ABS0020-1001 SHEET 2 OF 2	