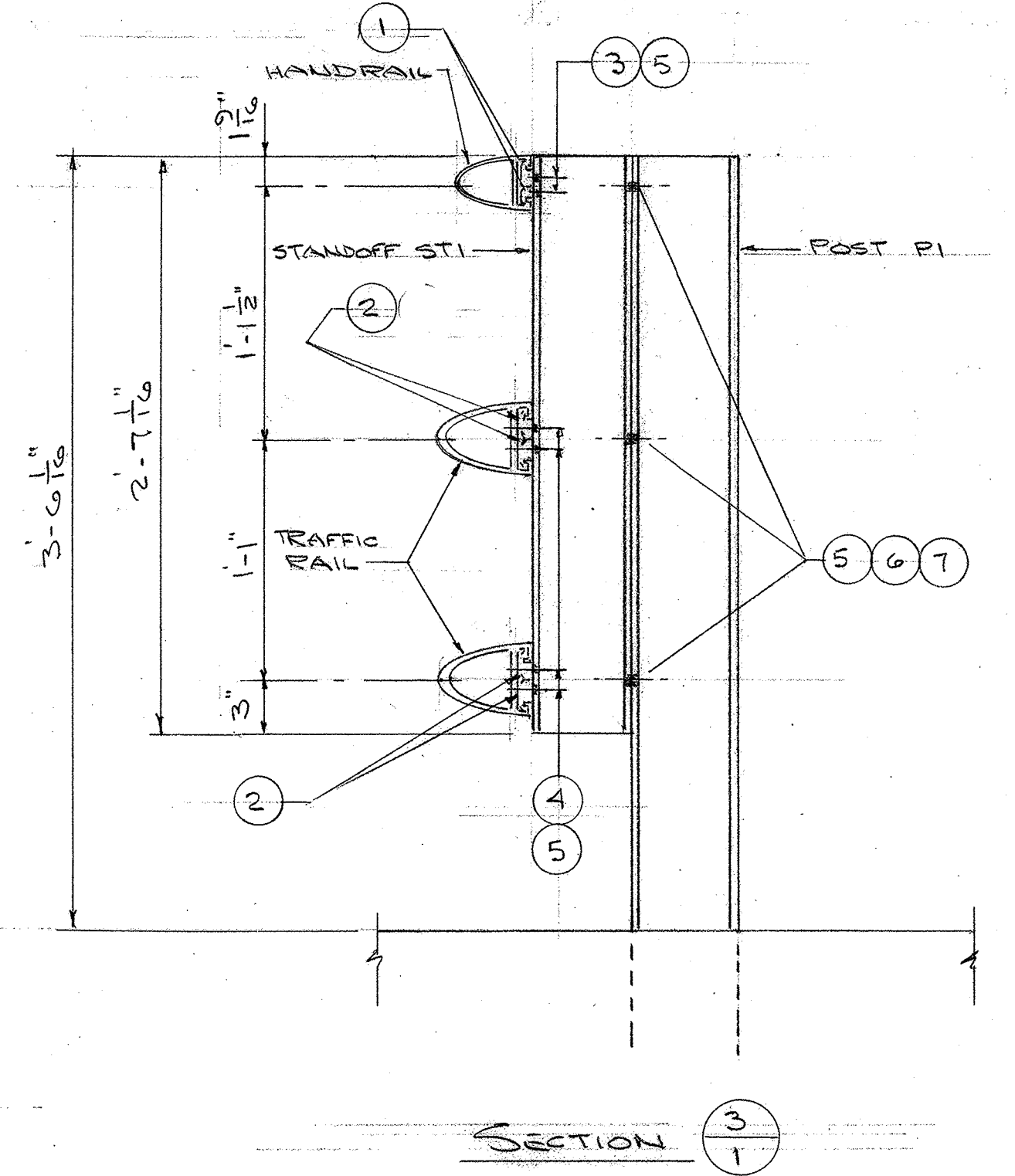
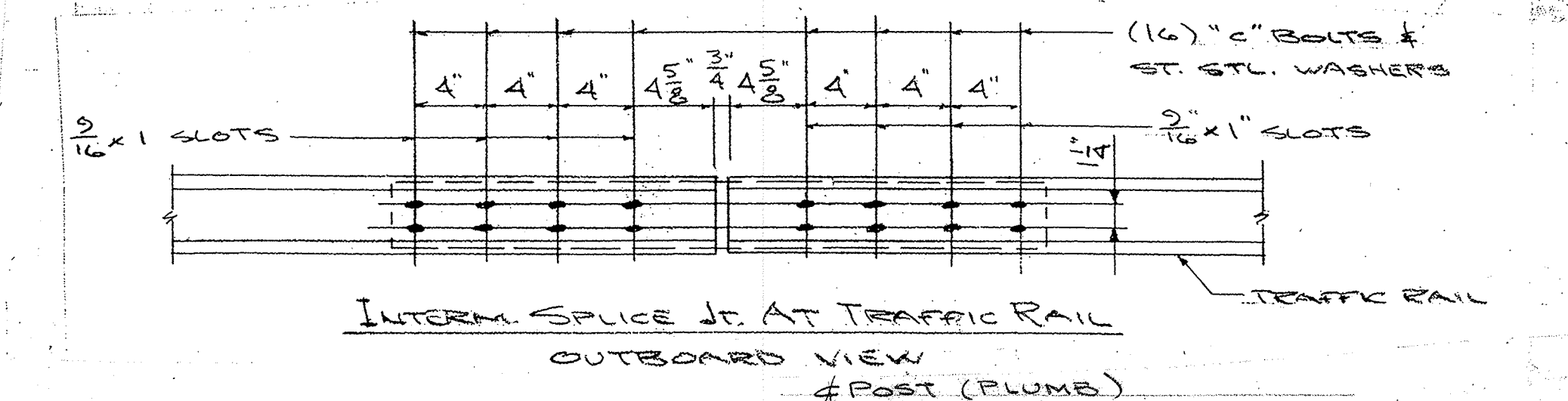
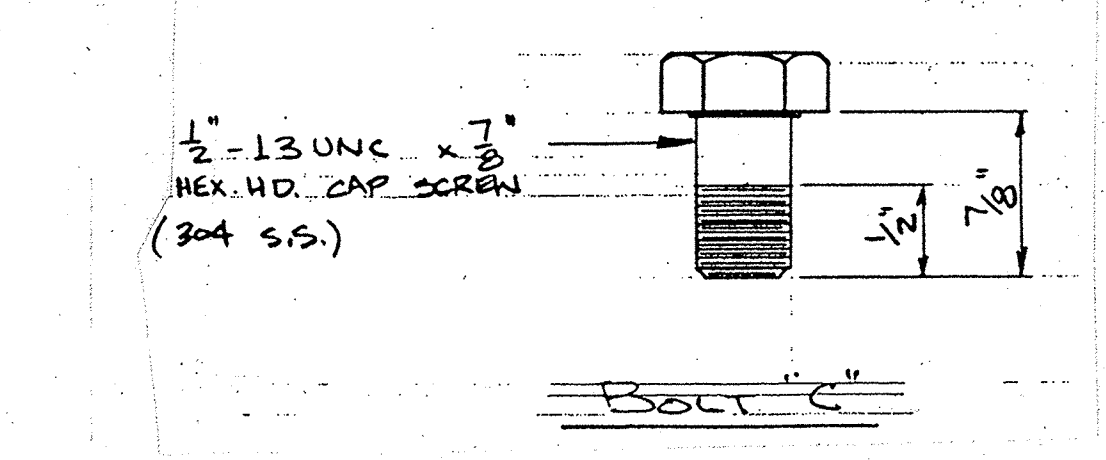
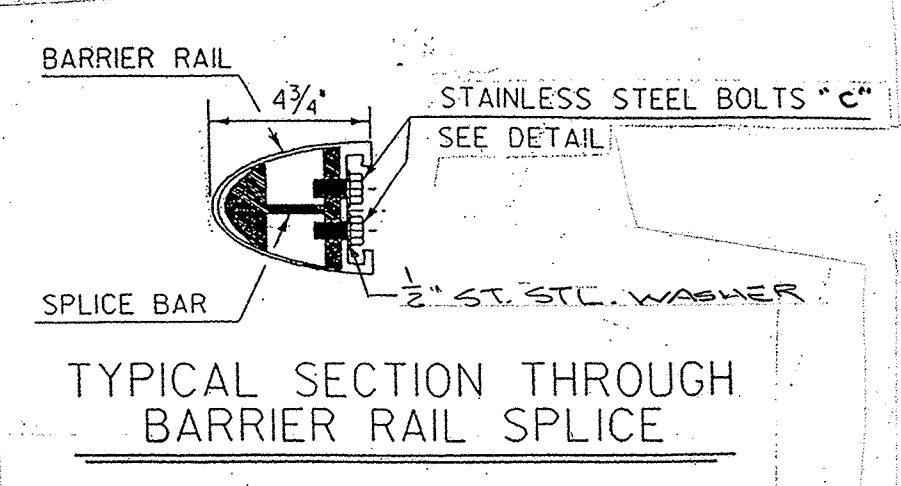
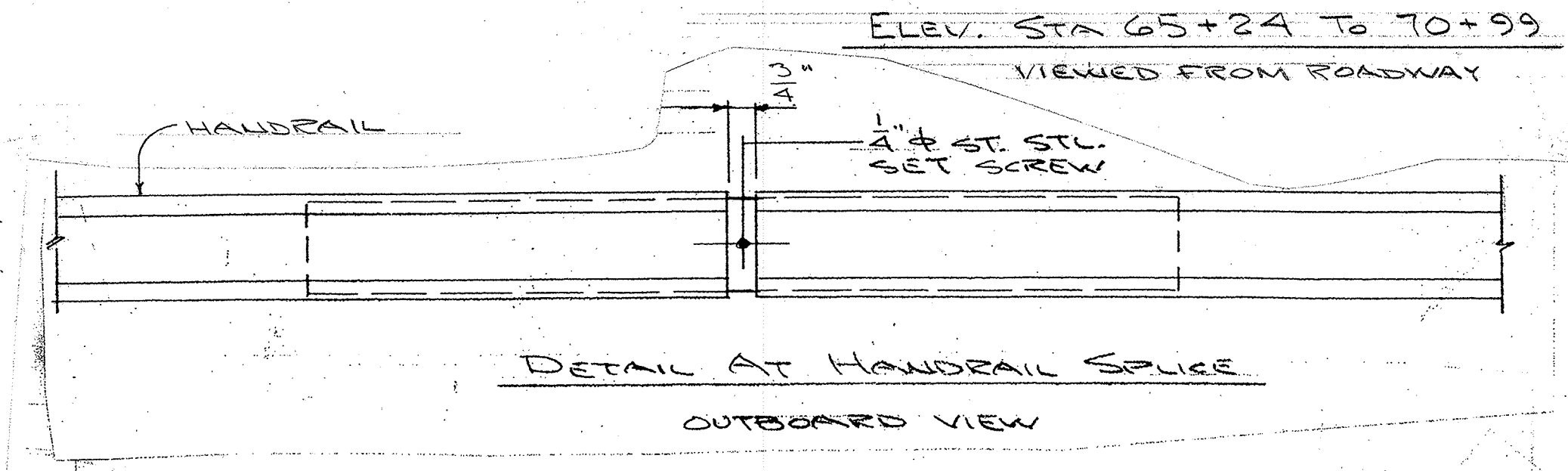
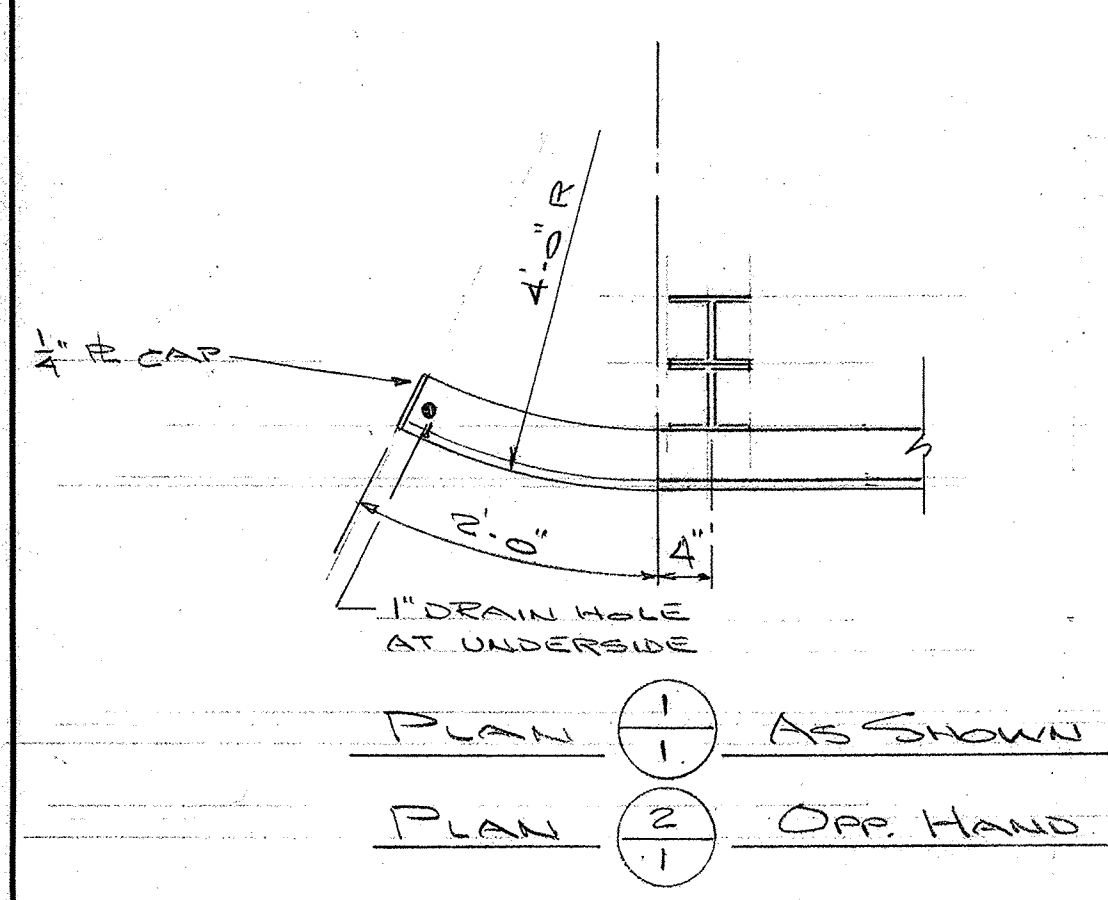


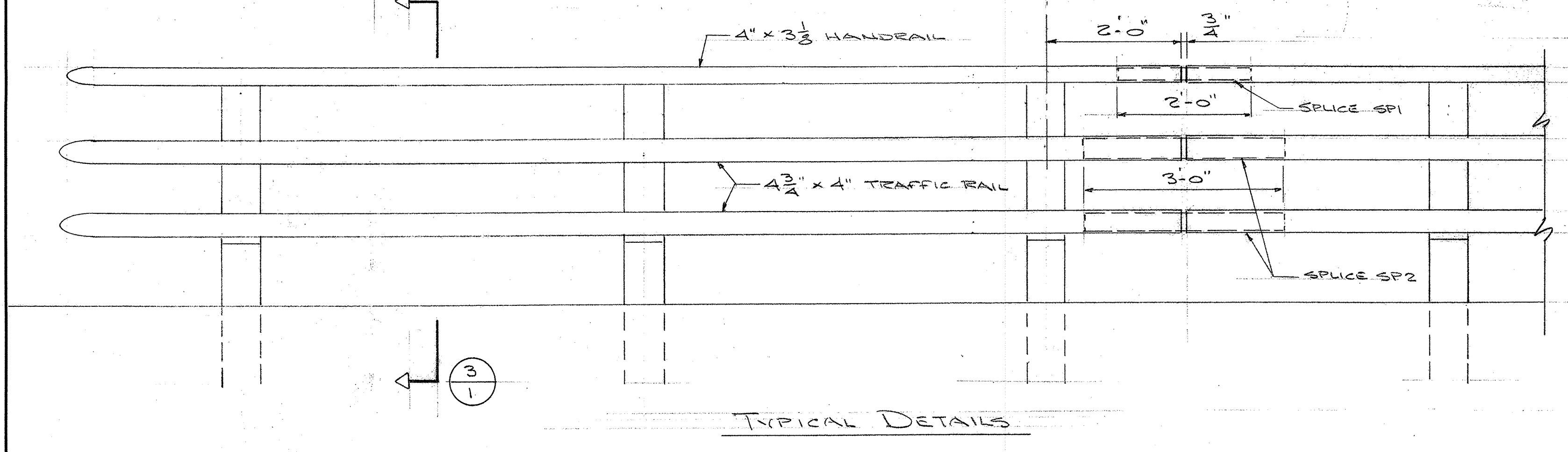
HANDRAIL		
MK	QTY	LENGTH
HR1	2	32-0
HR2	29	24-11 1/2
HR3	1	28-0
HR4	1	27-10

TRAFFIC RAIL		
MK	QTY	LENGTH
TR1	4	32-0
TR2	58	24-11 1/2
TR3	2	28-0
TR4	2	27-10

136	POST PI	
136	STANDOFF STI	
272	#4 CLAMP BAR	
544	#1 CLAMP BAR	
31	SPLICE SP1	
62	SPLICE SP2	
992	"C" BOLT	
992	1/2" ST. STL. WASHER	
544	1/2" x 3/4" HEX HD CAP SCREW	
1088	3/4" x 1 1/2" HEX HD CAP SCREW	
816	1/2" x 1 1/2" S/S CAP SCREW	
2448	1/2" AL-FLAT WASHER	
31	1/4" x 3/4" S/S SET SCREW	



- ① #4 CLAMP BAR
- ② #1 CLAMP BAR
- ③ 1/2"-13 x 3/4" HEX HD CAP SCREW (A193, GR. B8)
- ④ 1/2"-13 x 1" HEX HD CAP SCREW (A193, GR. B8)
- ⑤ AL. WASHER 1 1/2" OD x 1 1/2" ID x 3/32" THK.
- ⑥ 1/2"-13 x 1 1/2" HEX HD CAP SCREW (304 ST. STL) 15,000 TENSILE
- ⑦ 1/2"-13 HEX NUT (304 ST. STL) 15,000 TENSILE



AUCIELLO IRON WORKS INC
 560 MAIN ST. HUDSON, MA (978) 568-8382

VT. AGENCY OF TRANSPORTATION
 BURLINGTON PROJ. #MEG05000(15)

U.S. ROUTE 7 (RIVERSIDE AVE.)

ALUM. APPROACH RAILING

SURFACE PREP: NONE FINISH: BLACK ANODIZE

FOR: F.R. LAFAYETTE, INC.

DR. WM 5-16-05 DWG. NO. BR-2862
 CHK. S 5-20-05

ISSUE	DATE	DESCRIPTION	BY
2	6-15-05	REV. PER ENGINEER	
1	5-23-05	FOR APPROVAL	

JOB NO. ABS0020-1001 SHEET 1 OF 2

DEL. WAREHOUSE INC. 00618