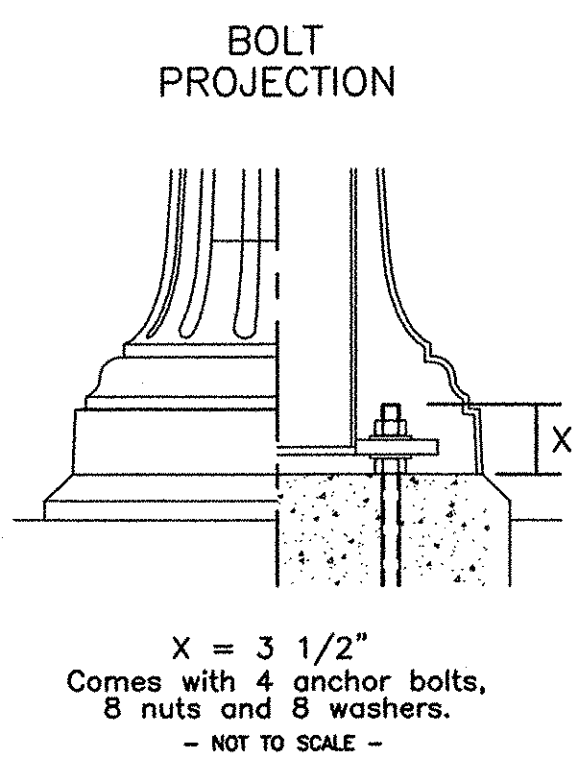


**TYPE 'A' STREET LIGHT DETAIL**  
NOT TO SCALE



**ANCHOR PLATE**  
• B.C.: 12 1/2"  
• THICKNESS: 3/4"  
  
• NOTE:  
THIS ANCHOR PLATE  
ACCEPTS A BOLT  
CIRCLE FROM 11"  
Ø 13"  
  
• ANCHORING BOLTS  
STAINLESS STEEL, 1" x 36"  
(supplied by LUMEC).

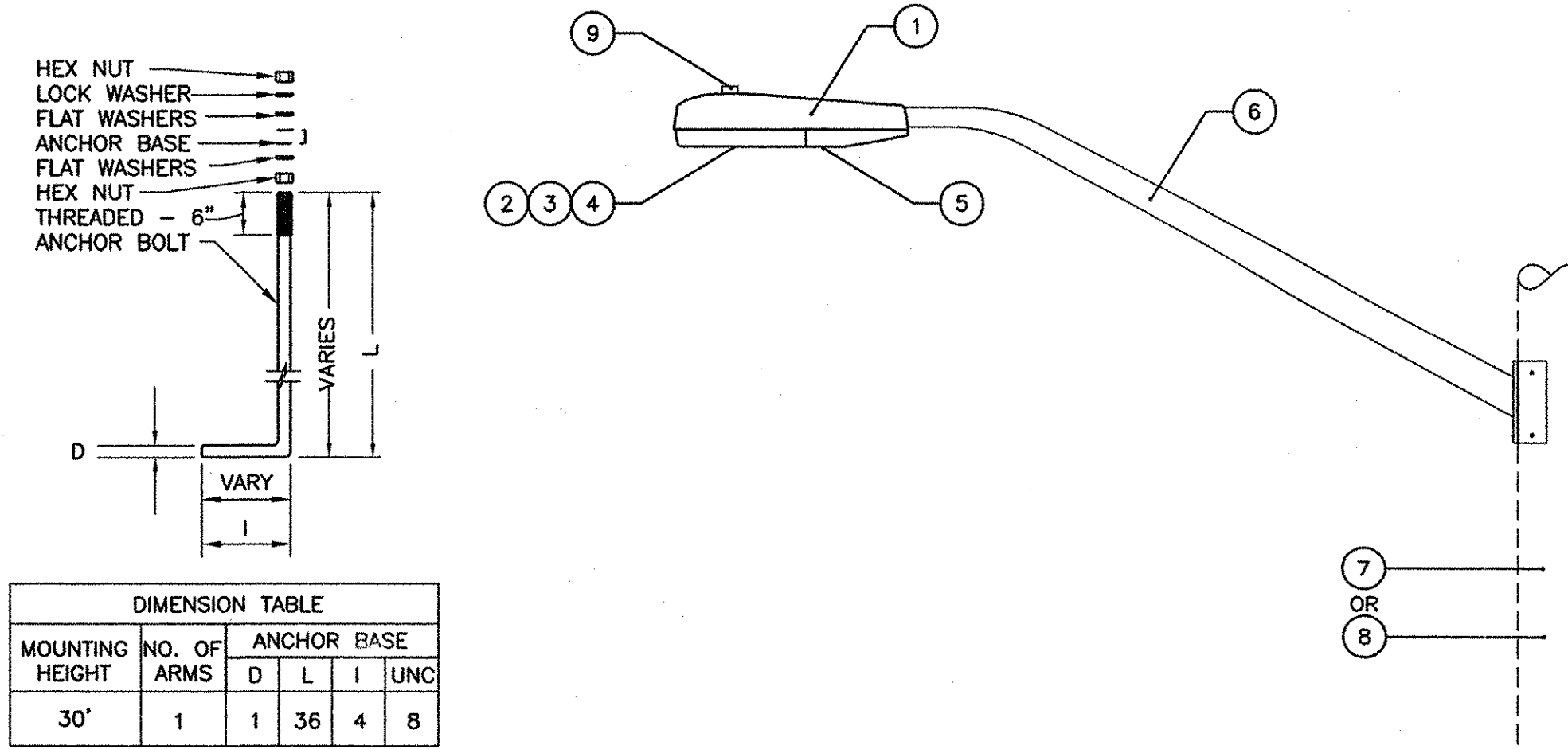
**TYPE 'A' BASE DETAILS**  
NOT TO SCALE

DATUM	NATIONAL GEODETIC
VERTICAL	VERTICAL DATUM 1929
HORIZONTAL	N/A

**TYPE 'A' STREET LIGHT**

**DESCRIPTION OF COMPONENTS:**

- MANUFACTURER: LUMEC  
LUMINAIRE: 250MH-L70-PC-FC-SE3-HS-QTA/120-BKTX-LMS12027A.  
BRACKET: LMS12027A-1A-BKTX.  
POLE: LMS12027A-23'9"-PH7/120-BKTX.
1. FINIAL: Made of cast aluminum.
  2. CAGE: Made of cast aluminum, octagonal shape.
  3. LENS: Made of frosted clear glass.
  4. LAMP: 250 watt, metal halide, ED 28 bulb, mogul base.
  5. OPTICS: SE3 system made of a chemically brightened, multi faceted, anodized aluminum hydroformed reflector, giving a type 3 (asymmetrical) distribution with house shield.
  6. HOOD: Made of cast aluminum, pivoting on a pivot joint.
  7. ARM: Made of cast aluminum, mechanically secured to the retaining adapter.
  8. RETAINING ADAPTER: Made of two-piece cast aluminum components, mechanically secured to the pole.
  9. DECORATIVE RING: Made of two-piece cast aluminum components, mechanically secured to the pole.
  10. POLE: Made of aluminum tapered, 5" (127mm) O.D. @ 7" (178mm) O.D., .156" (4mm) wall thickness, welded to the base.
  11. BASE: Made of aluminum, 6 5/8" (168mm) O.D., 0.157" (4mm) wall thickness, welded to the anchor plate.
  12. BALLAST: 250 watt, MH, high power factor of 90% or better, quadruple tap, 120, 208, 240, 277 volt, wired at 120 volt, -30°F (-34°C) lamp starting capacity, c/w quick disconnect plug.
  13. ACCESS DOOR: Made of aluminum, covering an opening of 4" x 9" (102mm x 229mm), giving access to a ground lug.
  14. BASE COVER: Made of a two-piece cast aluminum components, mechanically secured c/w four (4) decorative medallions.
  15. PHOTOCELL: Ph7 button type, 120 volt.
- WIRING: Included, from luminaire to the bracket, exceeding the latter by a minimum of 6".  
GASKETING: Neoprene and/or silicone gasketing is applied.  
HARDWARE: All exposed screws will be stainless steel.  
FINISH: An application of a thermosetting polyester powder coat paint, applied by means of an electrostatic process, color to be black BK textured.
16. WIRING: Included from bracket arm to pole base, 2#10, 1#10 G. cu. conductors to extend 24 inches beyond base access door.
  17. FUSING: Provide fuse at base. See conduit and conductor schedule notes.
  18. FLASHING LIGHT: where indicated on Street Lighting Locations Schedule: ("NO PARKING" signal by City of Burlington) Mounted at height determined by City of Burlington. Signal hardware to be H.D. galvanized clamshell type. NO banding shall be allowed. The light will be fed from the base of fixture with 2#10, 1#10G.



**NOTES:**

1. ALL ANCHOR BOLTS TO BE STAINLESS STEEL.

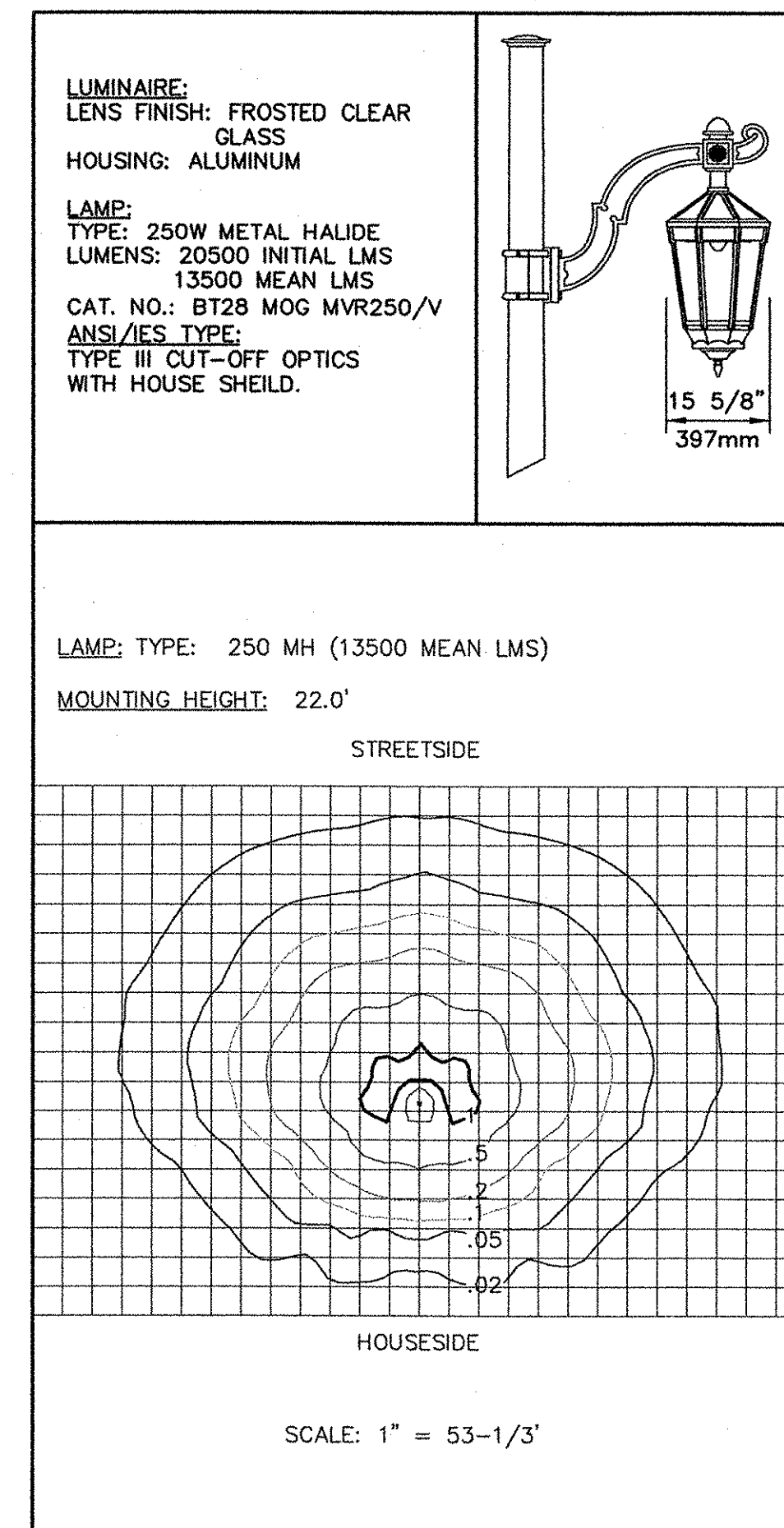
**TYPE 'B1' ANCHOR BOLT ASSEMBLY DETAIL**  
NOT TO SCALE

NOT TO SCALE

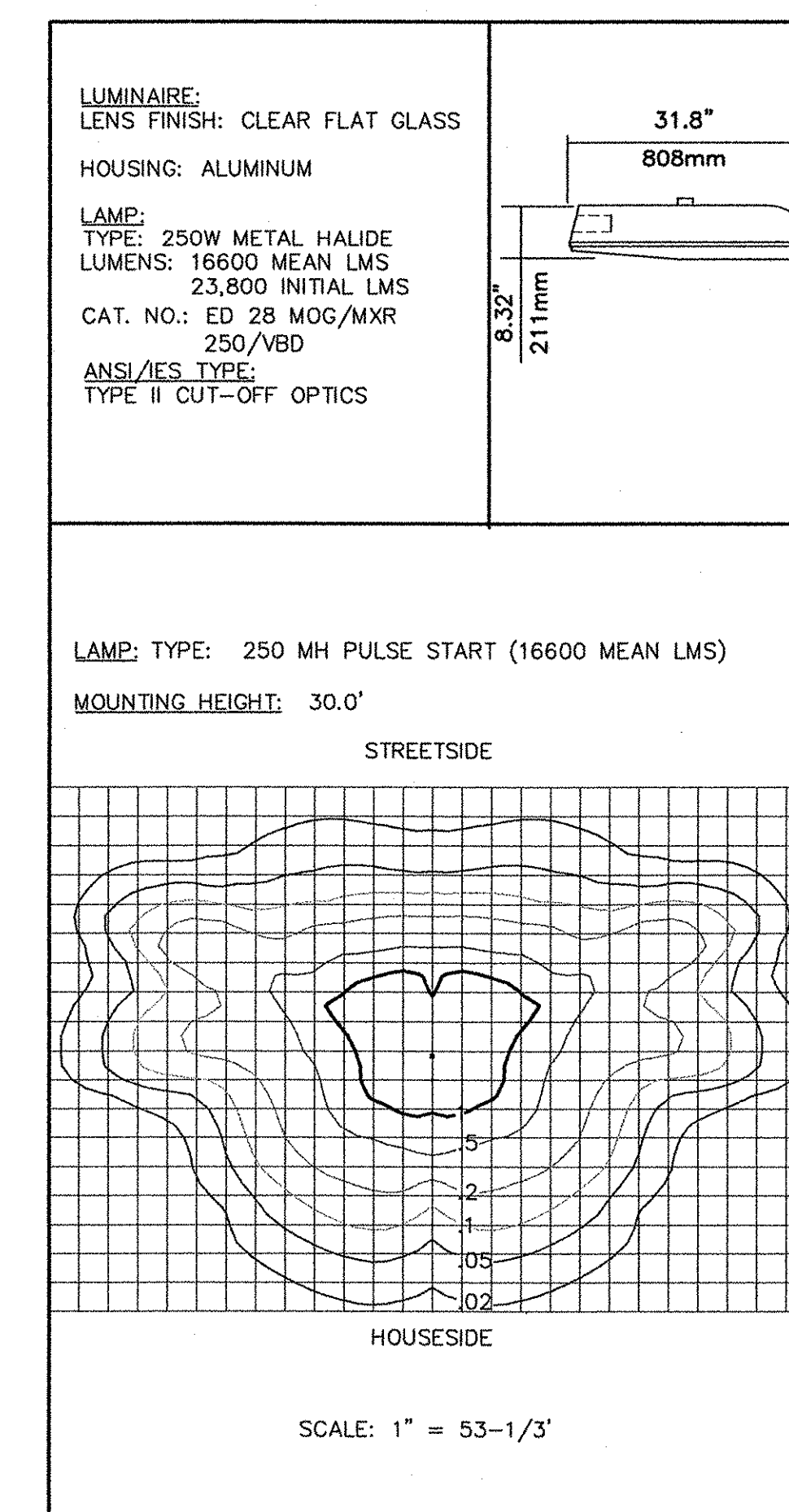
**TYPE 'B' STREET LIGHT DETAIL**  
NOT TO SCALE

**NOTE:**

SEE V.A.O.T. STANDARD DETAILS E-180A AND E-180B FOR THE INSTALLATION OF STREET LIGHTING W/ CONCRETE BASES.



**FIXTURE TYPE 'B' ISO-FOOTCANDLE DATA**  
NO SCALE



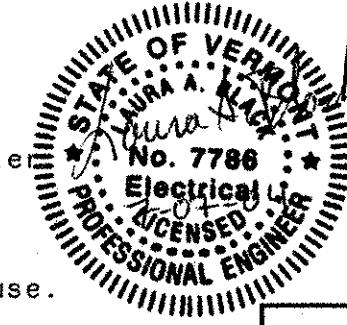
**FIXTURE TYPE 'B' ISO-FOOTCANDLE DATA**  
NO SCALE

**TYPE 'B' STREET LIGHT**

**DESCRIPTION OF COMPONENTS:**

MANUFACTURER: EQUIVALENT TO HUBBELL  
LUMINAIRE: EQUIVALENT TO RMC-3-X-RMD25P38-1-VAR-BLACK  
POLE AND ARM: EQUIVALENT TO RTA-08-BLACK

1. LUMINAIRE: Die-Cast aluminum with electrostatically applied point finish, color is black, texture is smooth. IP55 Construction. "Power Door" mounted ballast. UL listed. Mounting height shall be 30 ft. above roadway surface.
2. OPTICS: Type III, medium distribution, full cutoff.
3. LENS: Made of clear flat glass.
4. LAMP: 250 watt, metal halide, ED 28 bulb, mogul base, 23,800 initial lumens (min), 65 CRI, 4,000 K CCT.
5. BALLAST: 250 watt pulse start, MH, high power factor of 90% or better, multi-tap, 120, 208, 240, 277 volt, wired at 120 volt, -30°F min. lamp starting temperature, c/w quick disconnect plug.
6. ARM: Made of cast aluminum, mechanically secured to the retaining adapter. Upsweep style, 8 foot reach. Rated for EPA at 90 m.p.h. wind velocity per VAOT standard 753.01. Color - black.
7. POLE 'B1' TYPE: Made of aluminum, tapered, 30' length, welded to the base. Rated for EPA at 90 m.p.h. wind velocity. Color - black.
8. POLE 'B2' TYPE: Fixture, arm and arm plate shall be provided by traffic signal contractor and mounted to traffic signal pole, provide 2#10, 1#10G wiring in pole to base of pole, conductors to extend 24" beyond base access door.
9. PHOTOCELL: NEMA Photoelectric receptacle and 120V photoelectric control.
10. WIRING: Included from bracket arm to pole base, 2#10, 1#10 G. cu. conductors to extend 24 inches beyond base access door.
11. FUSING: Provide fuse at base. See conduit and conductor schedule notes.
12. BASE: Non-breakaway anchor base. No transformer base.



**STREET LIGHTING DETAILS**

**SHEET SL13**

SURVEYED BY	CLD	DATE	07/89
DRAWN BY	MLC/JTM/PBH	DATE	06/03
DESIGN BY	LAB/MLC		
DESIGN FILE NO.			
PRF FILE		DATE PLOTTED	
PROJ. NAME	BURLINGTON		
PROJ. NO.	MEGC 5000(15)		
SHEET	114 OF 252	SHEETS	