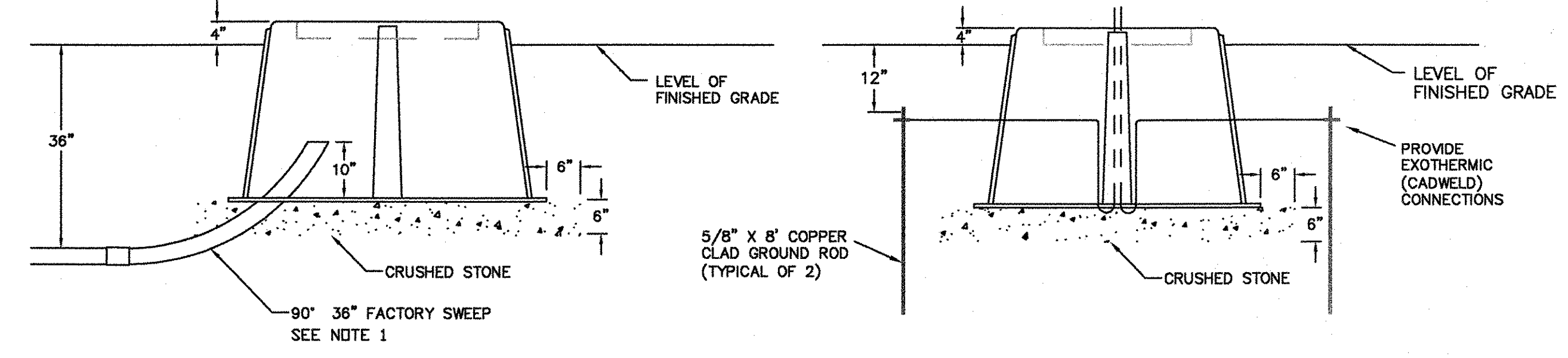
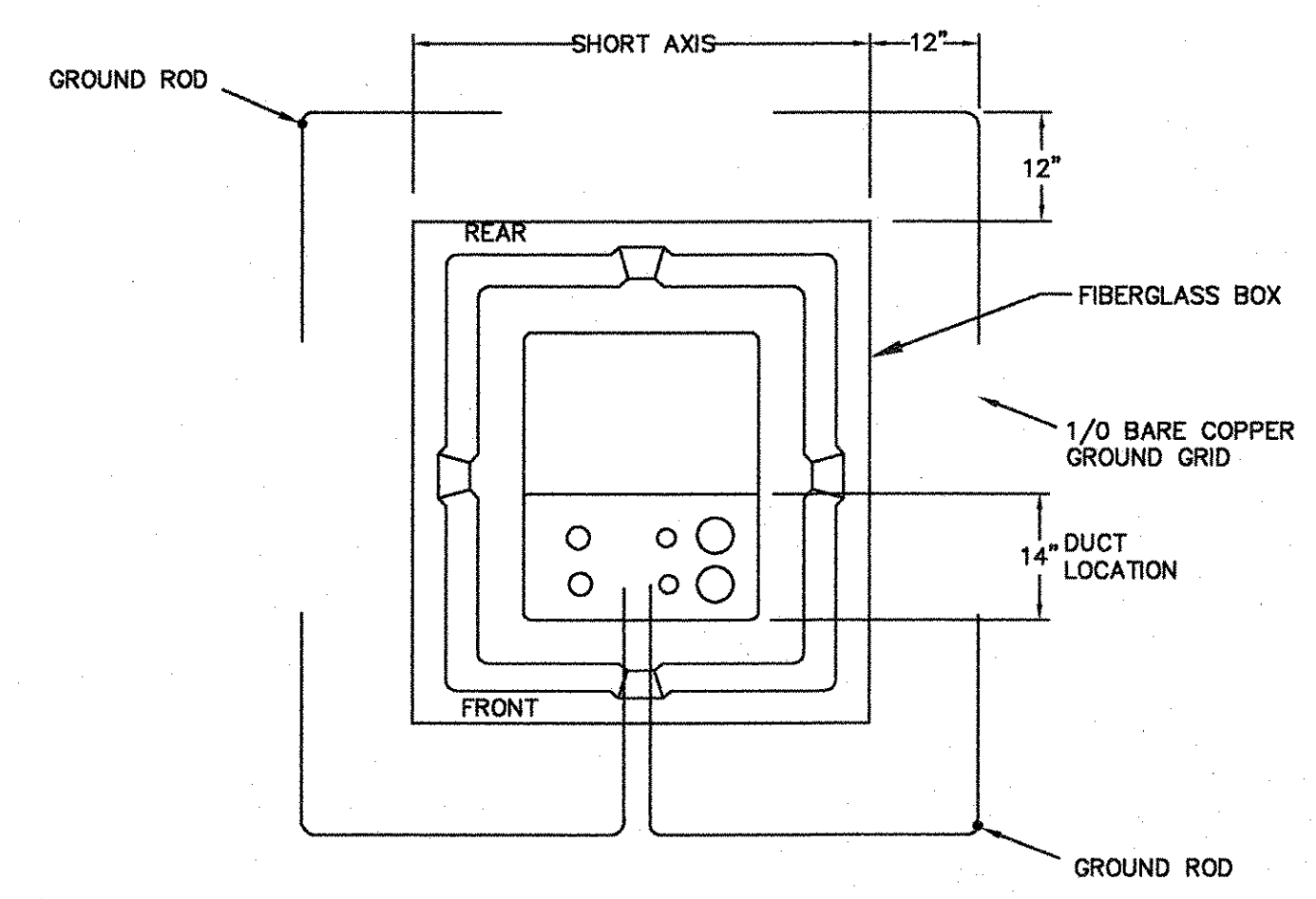


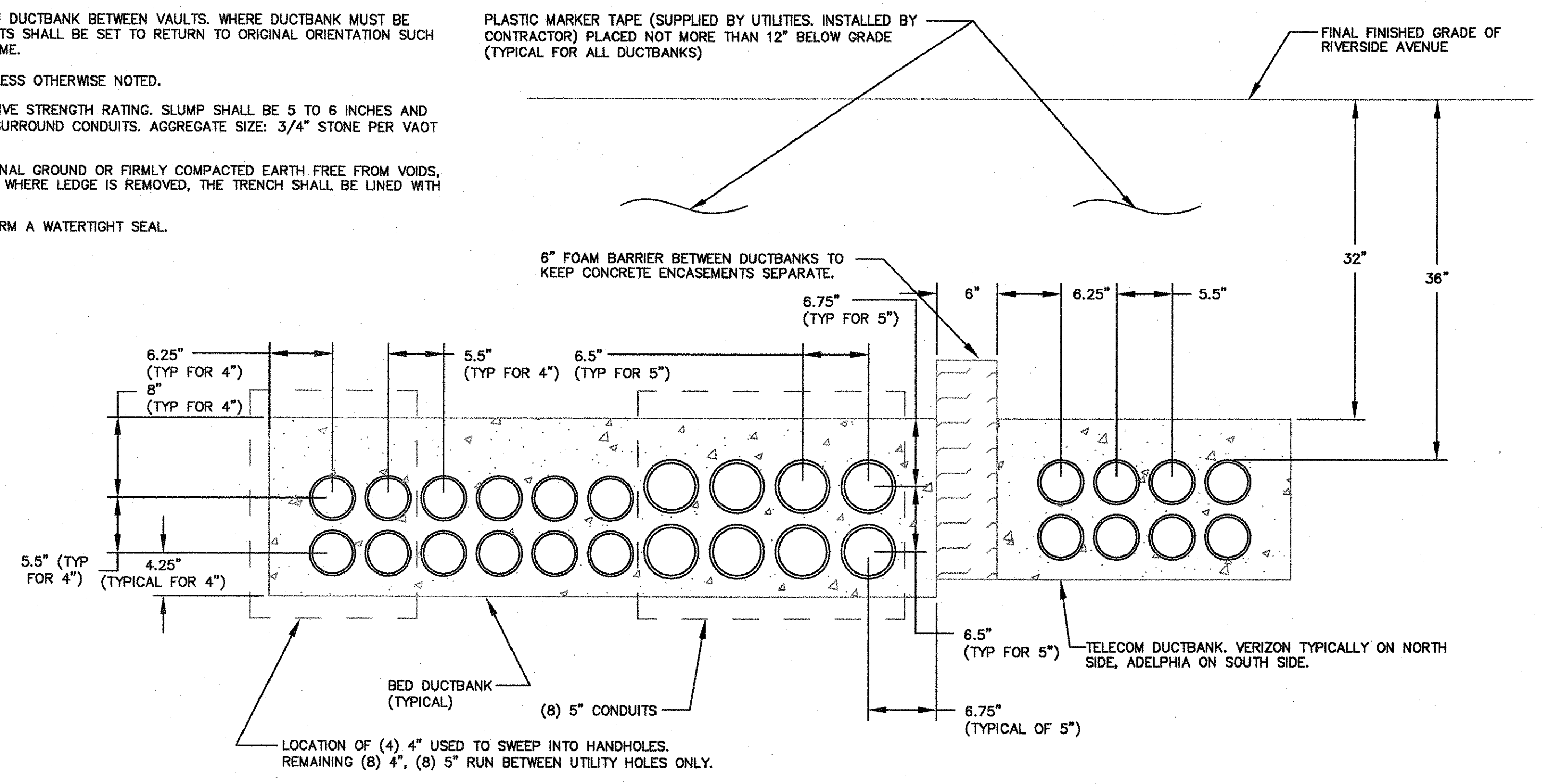
- NOTES:
1. 90° 36" RADIUS BEND MUST BE USED.
 2. A MINIMUM OF 6" CRUSHED STONE WILL BE PLACED UNDER BOX AND EXTEND 6" BEYOND THE PERIMETER OF BOX.
 3. FINISHED GRADE SHALL BE A MINIMUM OF 4" BELOW TOP OF BOX.
 4. BOXES USED FOR TRANSFORMERS OR TERMINATING POINTS SHALL HAVE A GROUND GRID INSTALLED.
 5. CONDUITS WILL ENTER BOX IN THE FRONT 14 INCHES OF CLEAR OPENING.
 6. CONDUITS ENTERING BOX WILL ENTER IN FRONT 14 INCHES OF CLEAR OPENING.

**SINGLE Ø TRANSFORMER
FIBERGLASS BOX
SPECIFICATIONS & INSTALLATION**



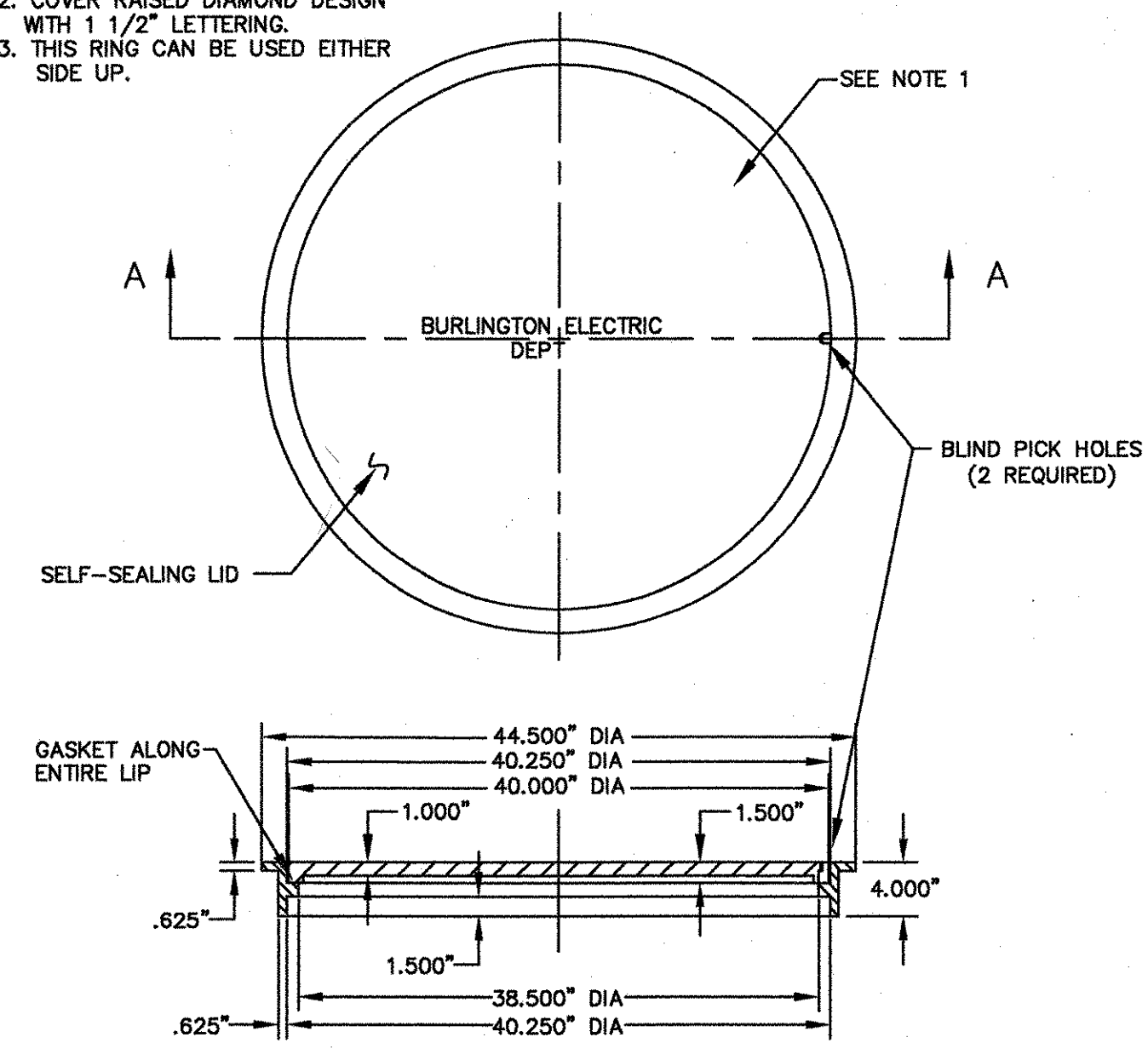
NOTES FOR CONCRETE ENCASED DUCTBANKS:

1. ALL DUCTBANKS SHALL HAVE ONE INCH (1") SPACING BETWEEN DUCTBANKS.
2. CONDUITS SHALL REMAIN IN SAME LOCATION WITHIN DUCTBANK BETWEEN VAULTS. WHERE DUCTBANK MUST BE RE-ORIENTED TO AVOID EXISTING UTILITIES, CONDUITS SHALL BE SET TO RETURN TO ORIGINAL ORIENTATION SUCH THAT LOCATION AT BOTH ENDS (VAULT) IS THE SAME.
3. ALL CONDUITS TO BE 4" Ø. SCHEDULE 40 PVC UNLESS OTHERWISE NOTED.
4. CONCRETE SHALL BE MINIMUM 3000 PSI COMPRESSIVE STRENGTH RATING. SLUMP SHALL BE 5 TO 6 INCHES AND CONCRETE SHALL BE WORKED IN TO COMPLETELY SURROUND CONDUITS. AGGREGATE SIZE: 3/4" STONE PER VAOT 70402B.
5. BOTTOM OF TRENCH SHALL BE UNDISTURBED ORIGINAL GROUND OR FIRMLY COMPACTED EARTH FREE FROM VOIDS, ROCK, RUBBLE AND OF RELATIVELY SMOOTH ARCH. WHERE LEDGE IS REMOVED, THE TRENCH SHALL BE LINED WITH A MINIMUM OF 2 INCHES OF CLEAN SAND.
6. PVC CONDUIT SHALL BE PRIMED AND GLUED TO FORM A WATERTIGHT SEAL.

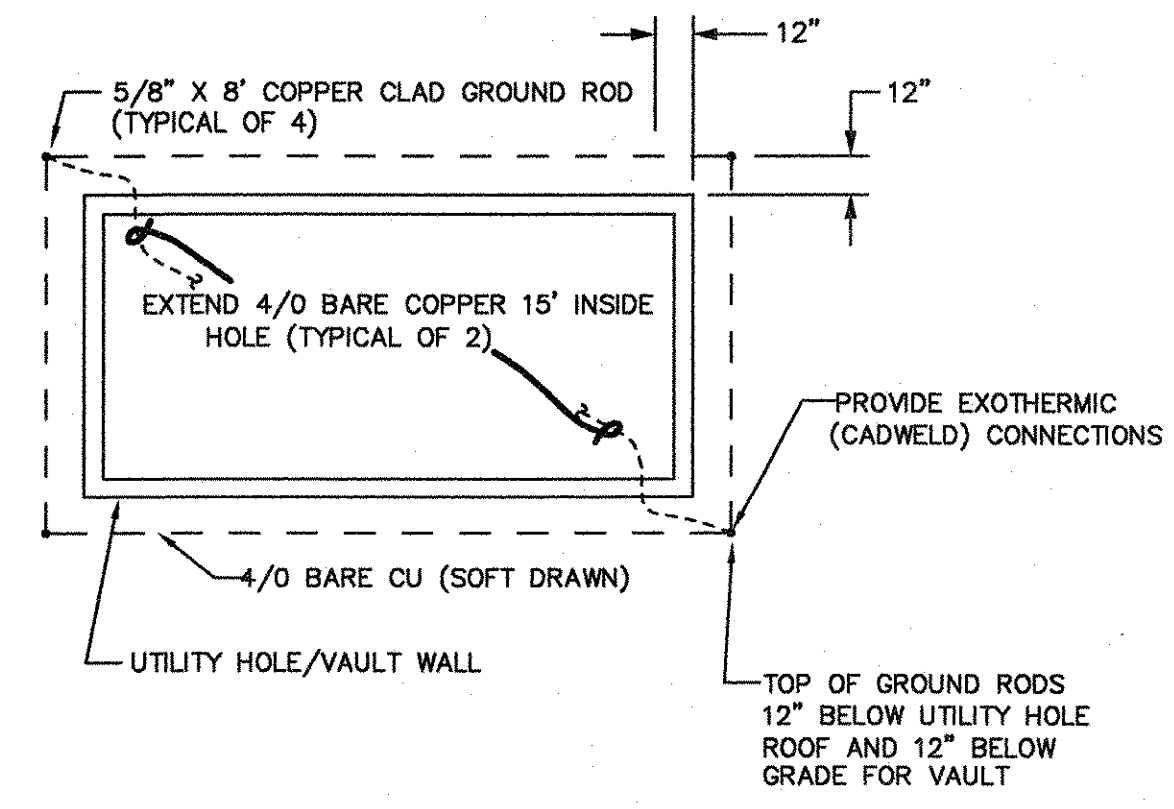


TYPICAL CONCRETE ENCASED DUCTBANK SECTION: WEST VIEW
SCALE: 1" = 10"

- NOTES:
1. LABEL "VERIZON" FOR VERIZON (VZUH) UTILITY HOLES. LABEL "ADELPHIA" FOR ADELPHIA (CUH) UTILITY HOLES.
 2. COVER RAISED DIAMOND DESIGN WITH 1 1/2" LETTERING.
 3. THIS RING CAN BE USED EITHER SIDE UP.



SECTION A-A
UTILITY HOLE CAST IRON RING AND COVER



UTILITY HOLE/VAULT GROUND GRID (BY CONTRACTOR)

BURLINGTON ELECTRIC DEPARTMENT		
BURLINGTON, VERMONT		
DETAILS		
DRAWN BY: JFT	SCALE: NONE	DWG. NO.: D8011800
ORIGINAL DATE: 06/02/04	CHECKED BY/DATE:	SHEET 100 OF 252