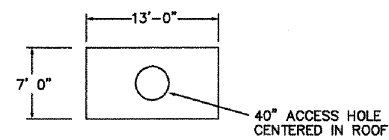
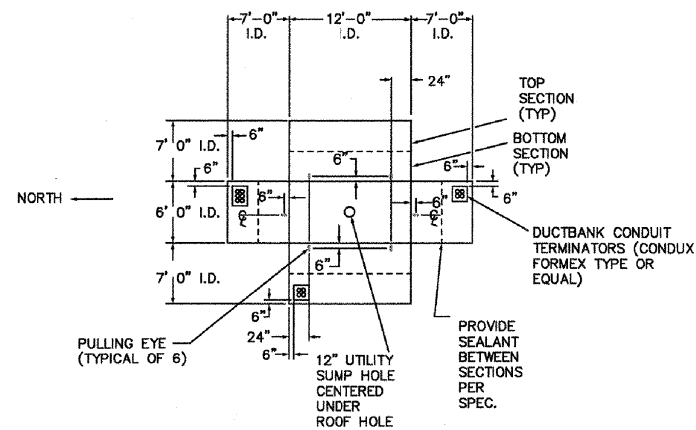


UTILITY HOLE CUH #1 TAKE-OFF DETAIL

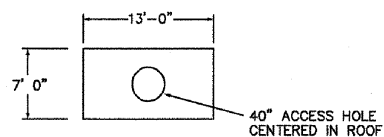


UTILITY HOLE CUH #1 TOP VIEW

CUH #2 USED AT CUH #1 LOCATION

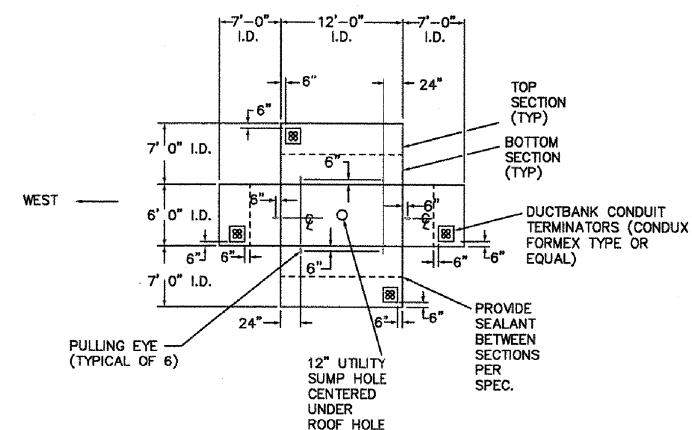


UTILITY HOLE CUH #2 TAKE-OFF DETAIL

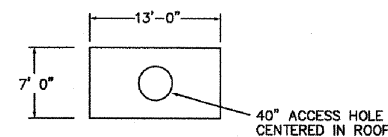


UTILITY HOLE CUH #2 TOP VIEW

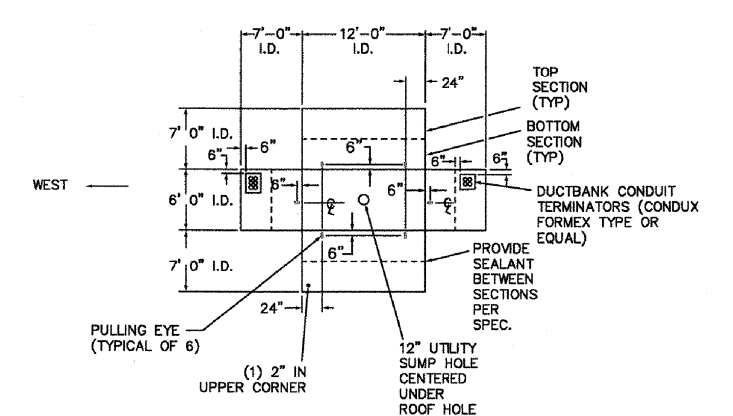
CUH #1 USED AT CUH #2 LOCATION 35+36 RT



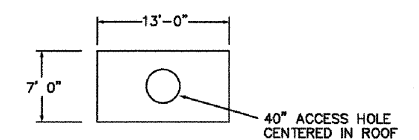
UTILITY HOLE CUH #3 TAKE-OFF DETAIL



UTILITY HOLE CUH #3 TOP VIEW



UTILITY HOLE CUH #4 TAKE-OFF DETAIL



UTILITY HOLE CUH #4 TOP VIEW

BURLINGTON ELECTRIC DEPARTMENT		
BURLINGTON, VERMONT		
ADELPHIA UTILITY HOLE DETAILS		
JUN. 30 2004		
DRAWN BY: JFT	SCALE: NONE	DWG. NO.: D8011600
ORIGINAL DATE: 03/23/04	CHECKED BY/DATE:	SHEET 98 OF 252