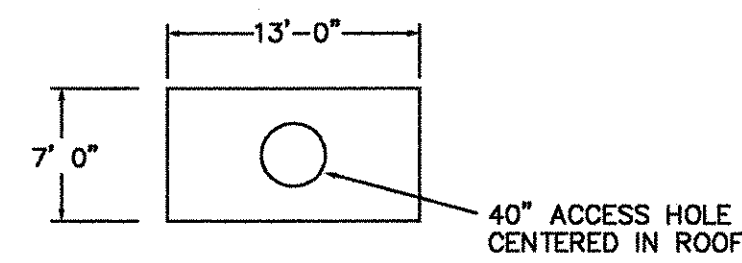
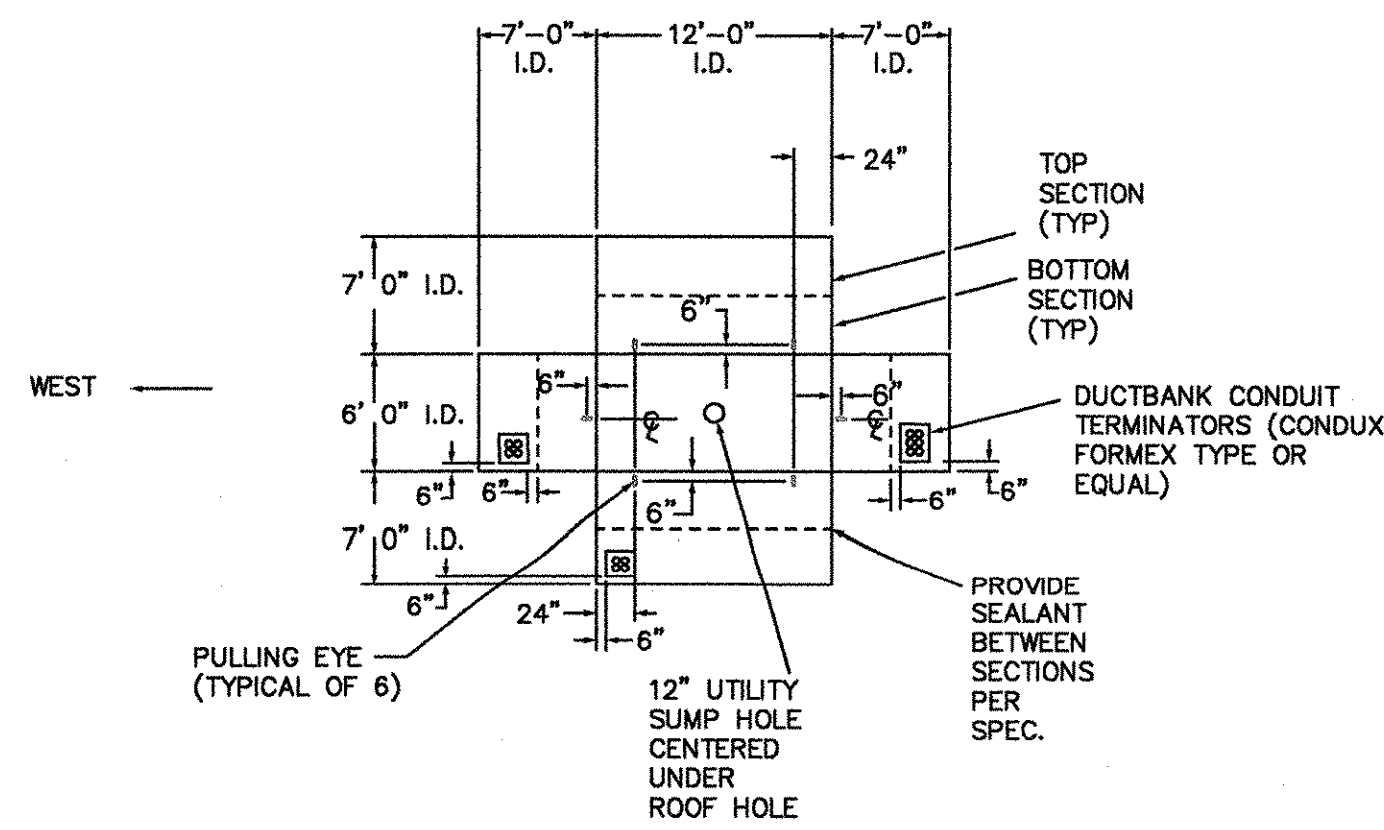


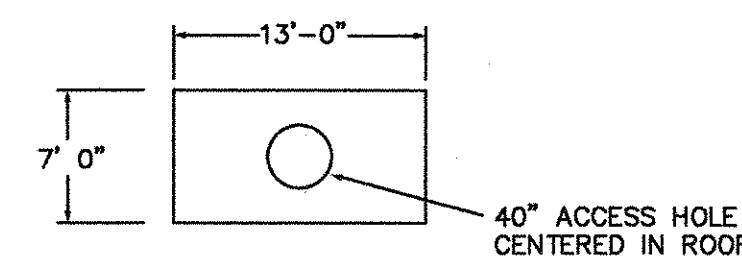
UTILITY HOLE VZUH #1 TAKE-OFF DETAIL



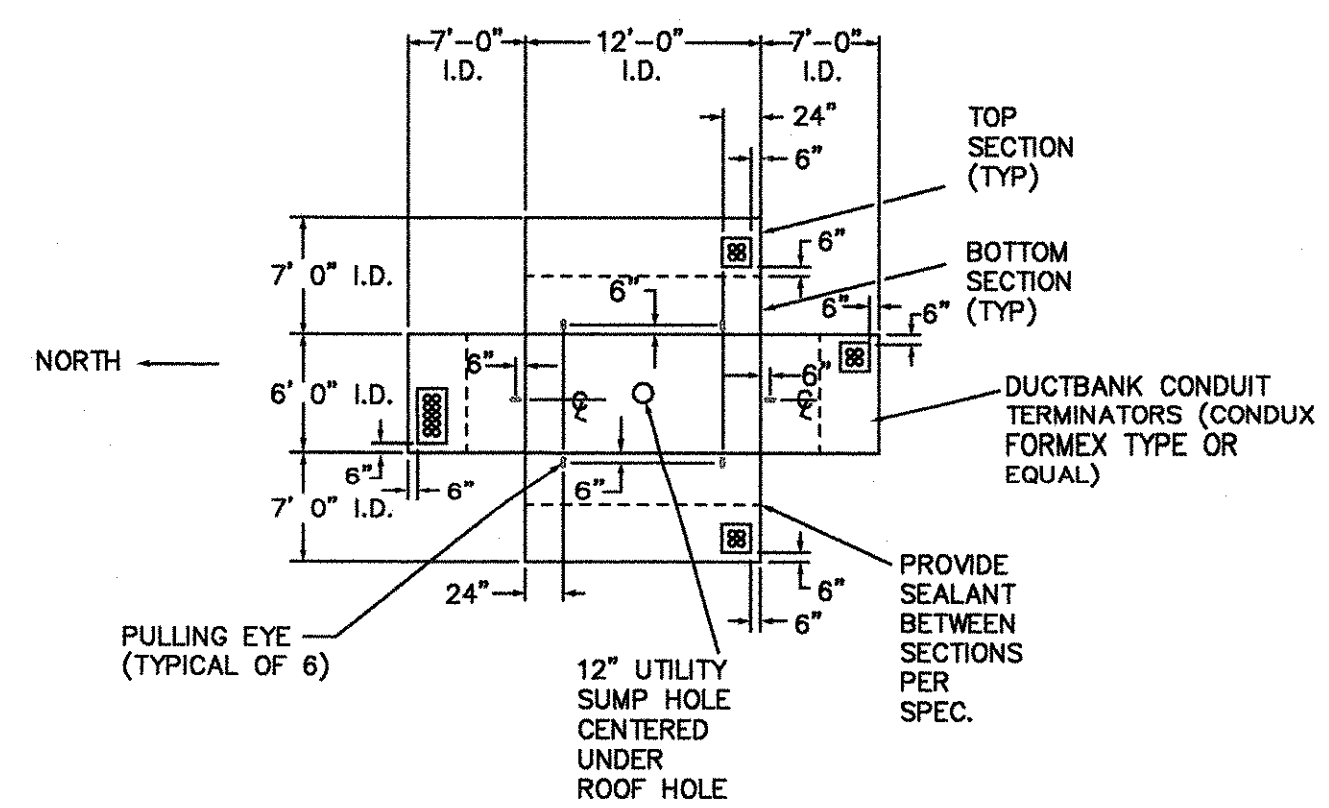
UTILITY HOLE VZUH #1 TOP VIEW



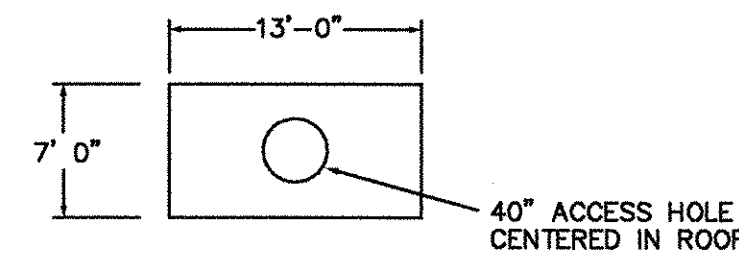
UTILITY HOLE VZUH #2 TAKE-OFF DETAIL



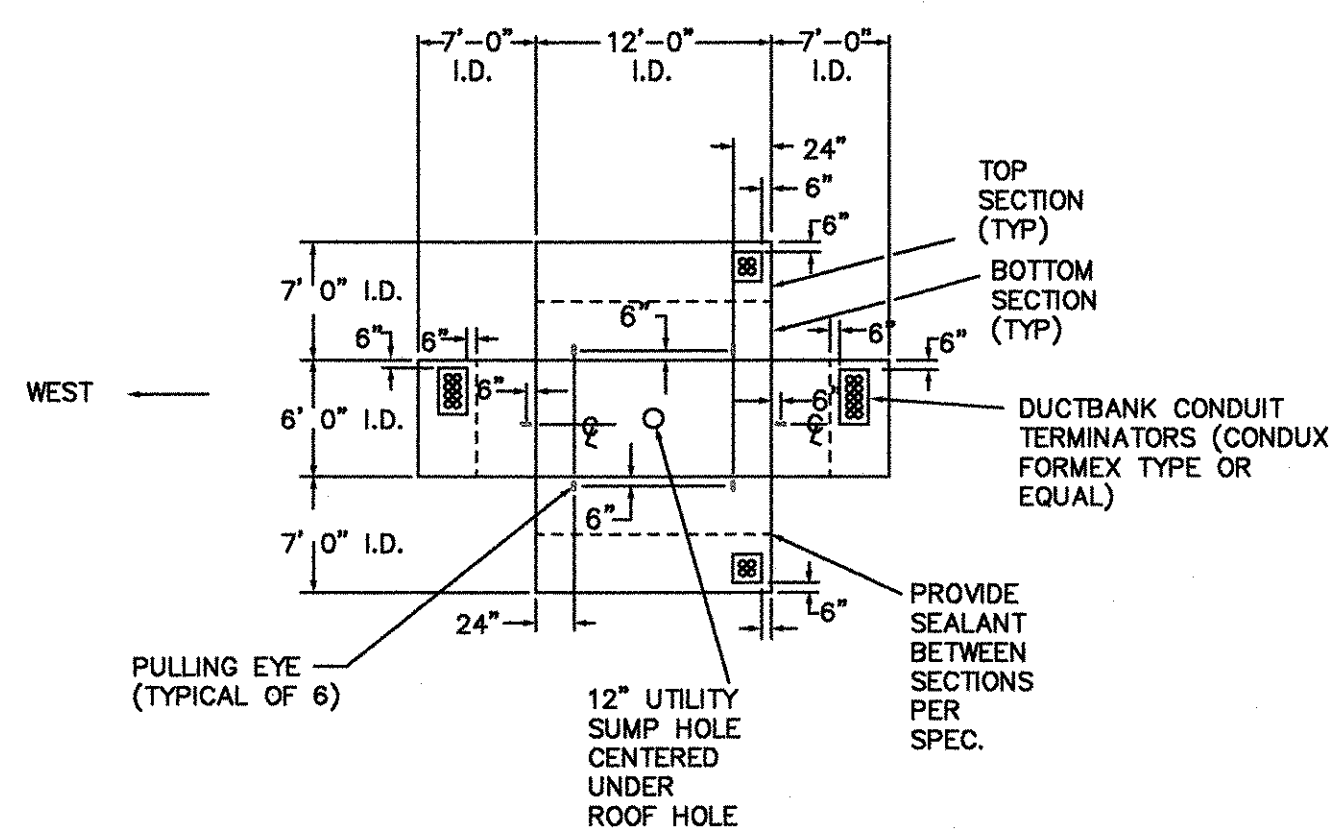
UTILITY HOLE VZUH #2 TOP VIEW



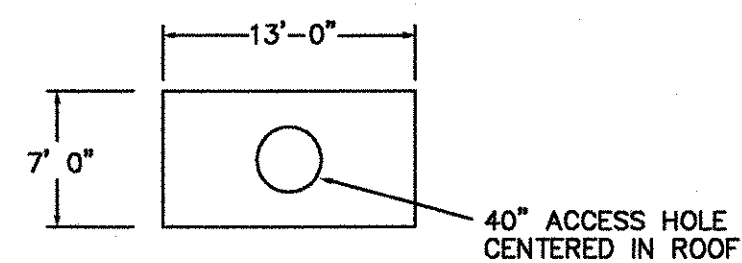
UTILITY HOLE VZUH #3 TAKE-OFF DETAIL



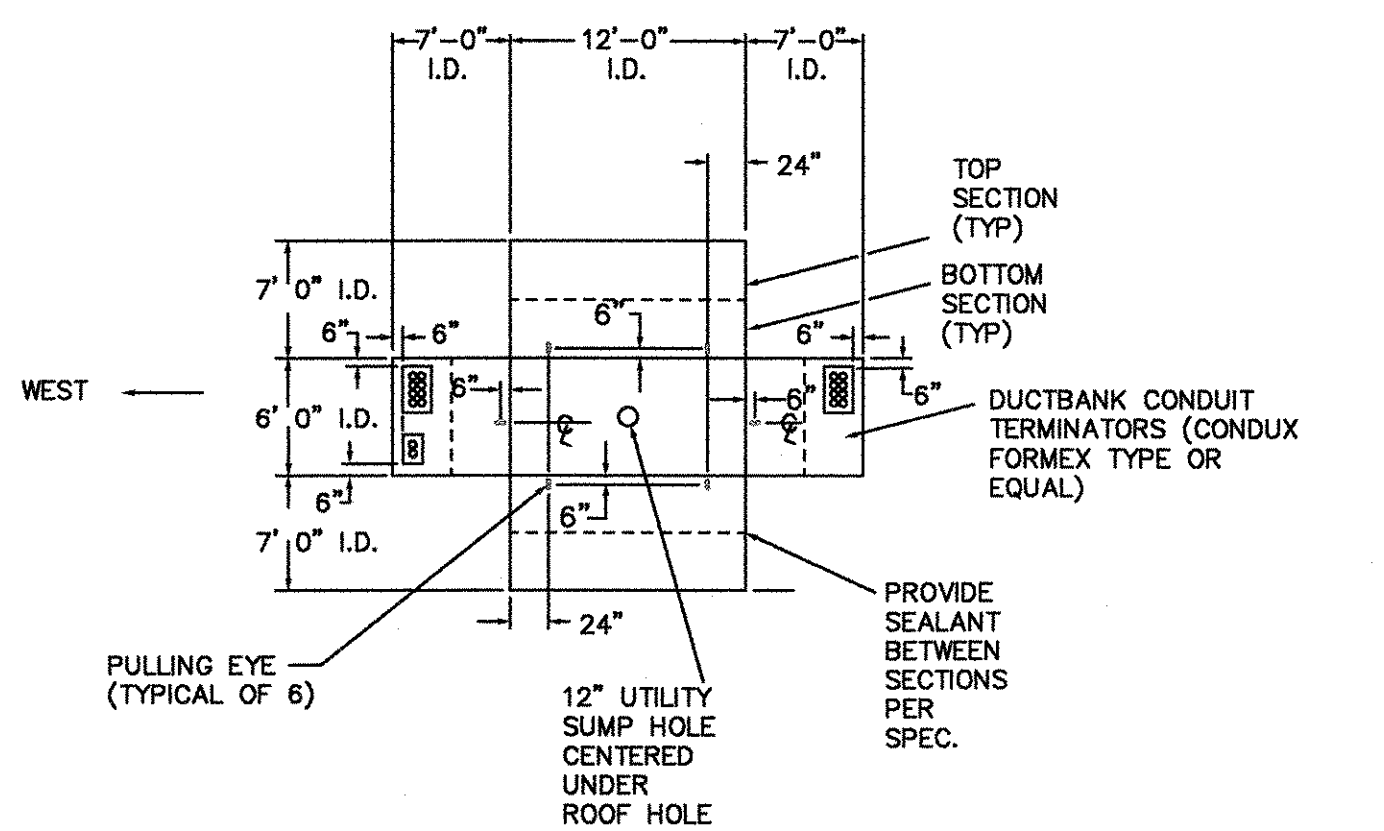
UTILITY HOLE VZUH #3 TOP VIEW



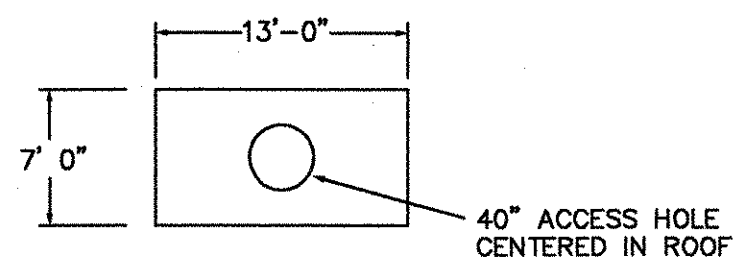
UTILITY HOLE VZUH #4 TAKE-OFF DETAIL



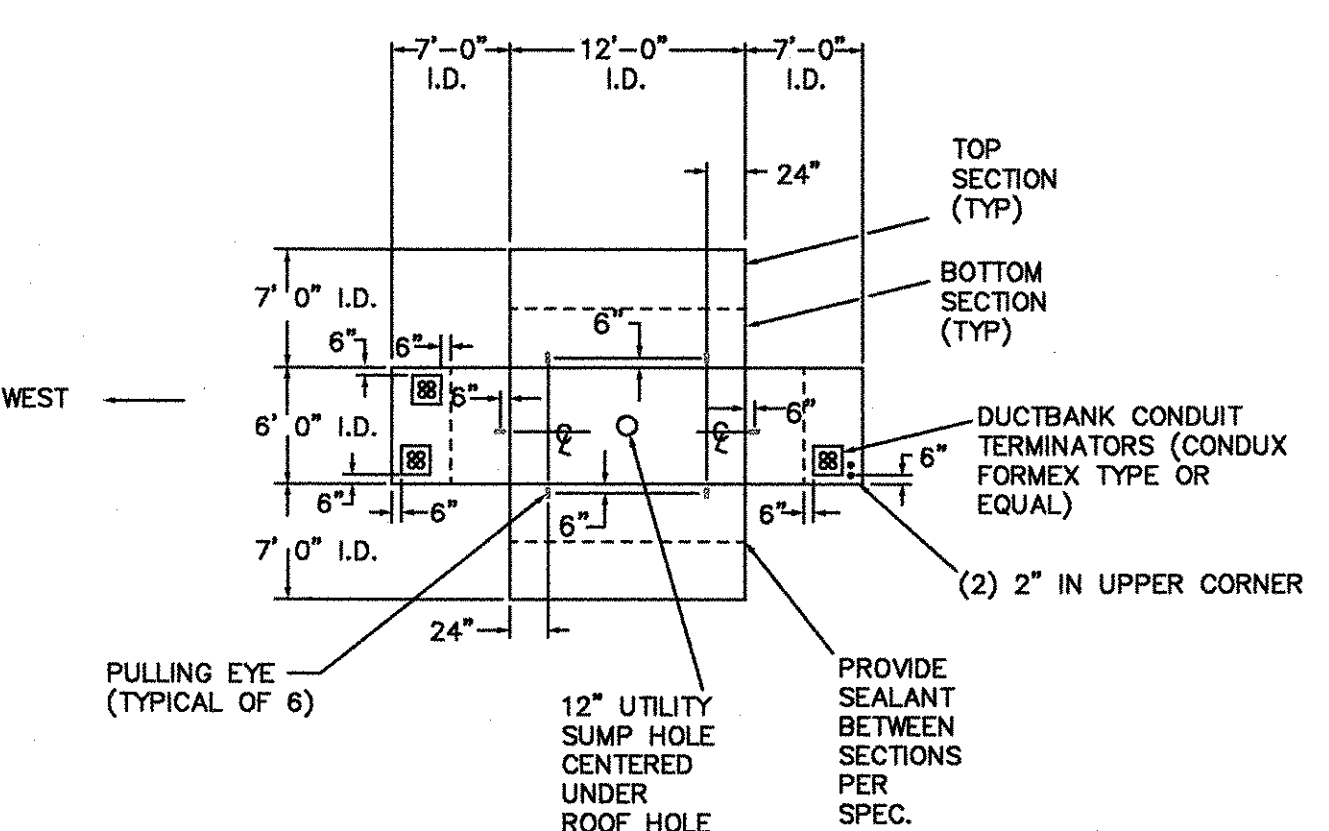
UTILITY HOLE VZUH #4 TOP VIEW



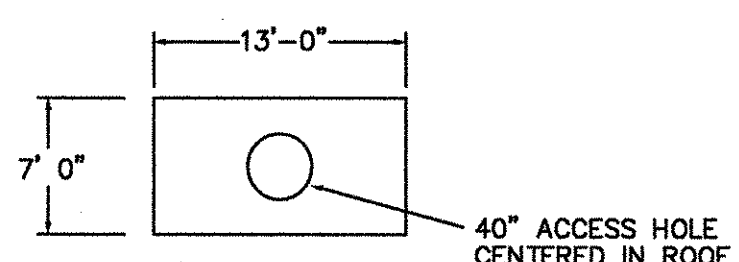
UTILITY HOLE VZUH #5 TAKE-OFF DETAIL



UTILITY HOLE VZUH #5 TOP VIEW



UTILITY HOLE VZUH #6 TAKE-OFF DETAIL



UTILITY HOLE VZUH #6 TOP VIEW

BURLINGTON ELECTRIC DEPARTMENT		
BURLINGTON, VERMONT		
VERIZON UTILITY HOLE DETAILS		
JUL 30 2004		
DRAWN BY: JFT	SCALE: NONE	DWG. NO.: D8011500
ORIGINAL DATE: 03/23/04	CHECKED BY/DATE:	SHEET 97 OF 252