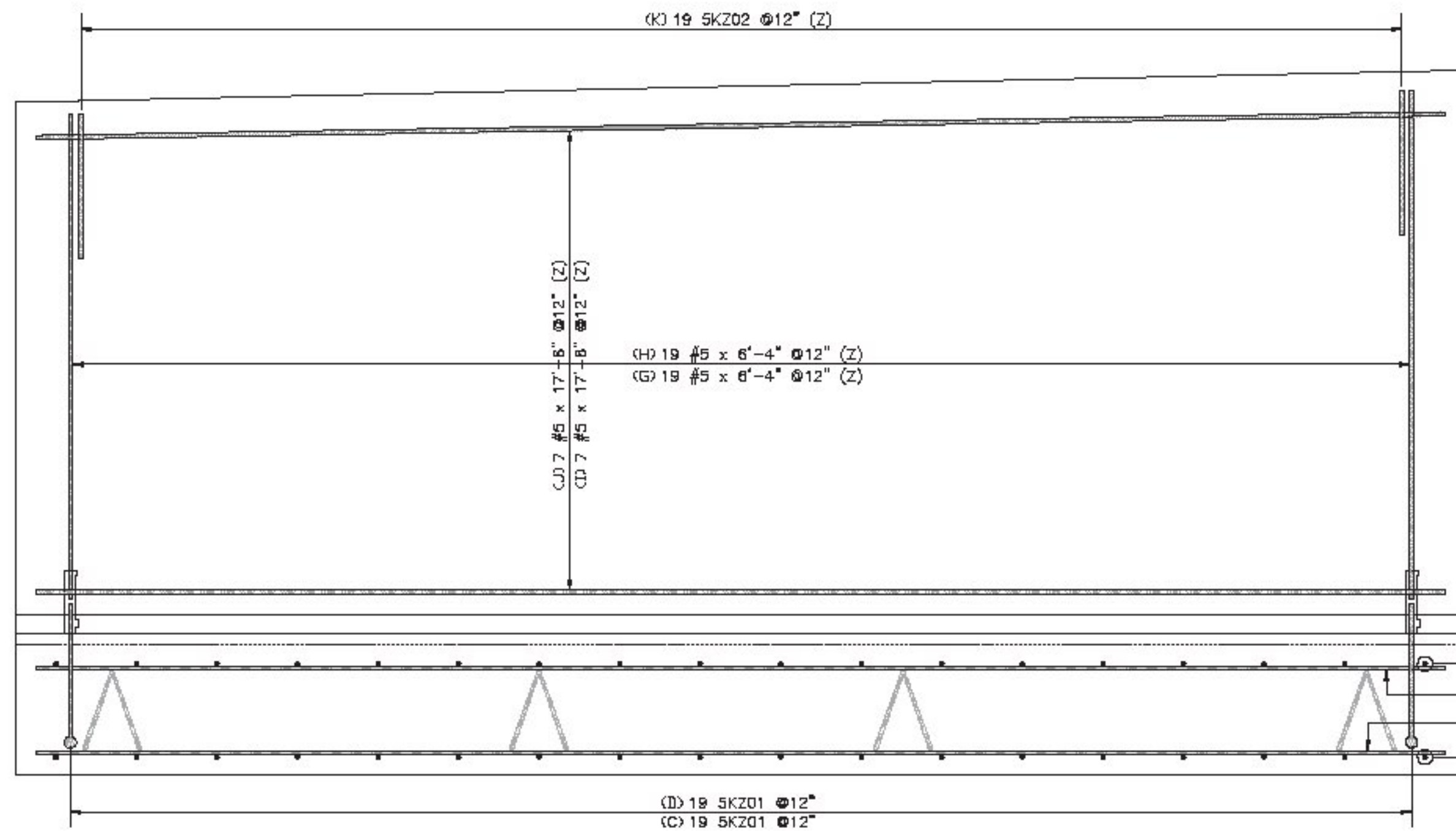
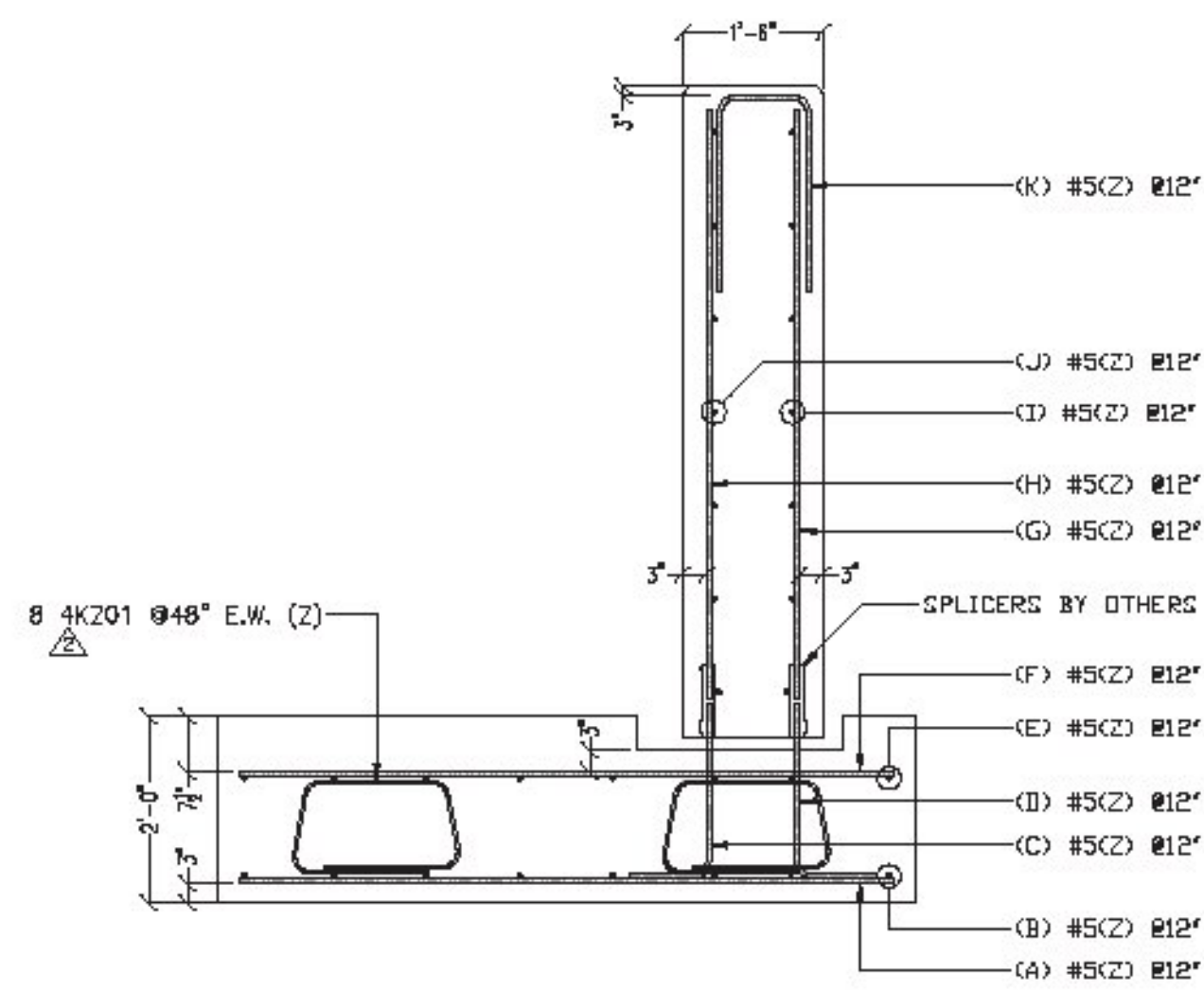


Drawing Sheet : K				BAR LIST												
Bar Mark	Qty	Size	Total Length	Type	'A'	'B'	'C'	'D'	'E'	'F'	'G'	'H'	'J'	'K'	'O'	'R'
4KZ01	8	#4	6'-6 3/4"	25		1'-6"	1'-0 1/4"	1'-6"	1'-0 1/4"	1'-6"		1'-0"			0'-6"	
	30	#5	17'-6"			17'-6"										
	38	#5	7'-0"			7'-0"										
	38	#5	6'-4"			6'-4"										
5KZ01	38	#5	2'-10"	17		0'-10"	2'-0"									
5KZ02	19	#5	5'-4"			2'-2"	1'-0"	2'-2"								

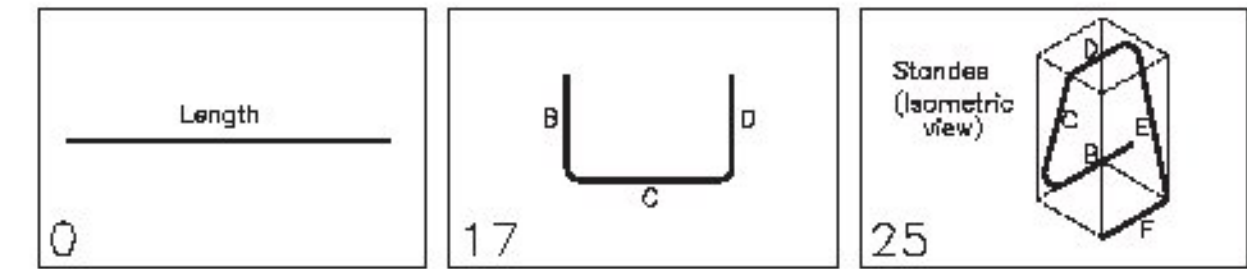


RETAINING WALL ELEVATION

(Z) 9'-0" LONG SAMPLE BARS WILL BE PROVIDED FOR EACH BAR SIZE



SECT. 1
REF. 0/3-0



ALL DUAL COATED REINF. DENOTED (Z)

ELEVATIONS & DIMENSIONS SHOWN ON THIS DWG. ARE FOR REINF. DETAILING PURPOSES ONLY AND ARE NOT INTENDED FOR CONSTRUCTION.

REINF. BARS ASTM A615 GRADE 60 DUAL COATED

VERIFICATION OF UNCLEAR INFORMATION MAY BE REQUESTED ON THIS DRAWING. SHOULD VERIFICATION BE LEFT UN-ADDRESSED IT WILL REMAIN AS SHOWN AND ASSUME TO BE CORRECT.

Vermont Agency of Transportation

RECEIVED

Revised/Submitted 201215_Mark.ppt

CK'D BY CLB

OK'D BY DRP

January 13, 2015

RESUBMIT NO
BY C. CARSLON

Approved
DATE 01/15/15

FOR FIELD USE

LEGEND:

CONT.-CONTINUOUS
TRANS.-TRANSVERSE
DWLS.-DOWELS
VERTS.-VERTICAL
HORIZ.-HORIZONTAL
T&B -TOP & BOTTOM
I.F.-INNER FACE
O.F.-OUTER FACE
E.E.-EACH END
E.F.-EACH FACE
F.F.-FRONT FACE
R.F.-REAR FACE
E.W.-EACH WAY
O.C.-ON CENTER
L.W.-LONG WAY
S.W.-SHORT WAY

NO.	DATE	REV.#	SENT FOR
5			
4	01-12-15	1	DRP REVIEWED FOR FIELD USE
3	12-30-14		APPROVED
2	12-8-14		REVISED/SDI COM/ FOR APPROVAL
1	12-8-14		FOR APPROVAL

DATE: 12/8/14 REV.#: 9117

STRUCTURE: VTAOT STOWE BRG 0235(11)

LOCATION: WILLISTON, VT

DESIGNED BY: SD IRELAND CONCRETE CONST. CORP.

DRAWN BY: ED

DATE: 12/8/14

PROJECT NO: 9117

REVISIONS: RETAINING WALL DUAL COATED REINFORCING

DRAWING # K