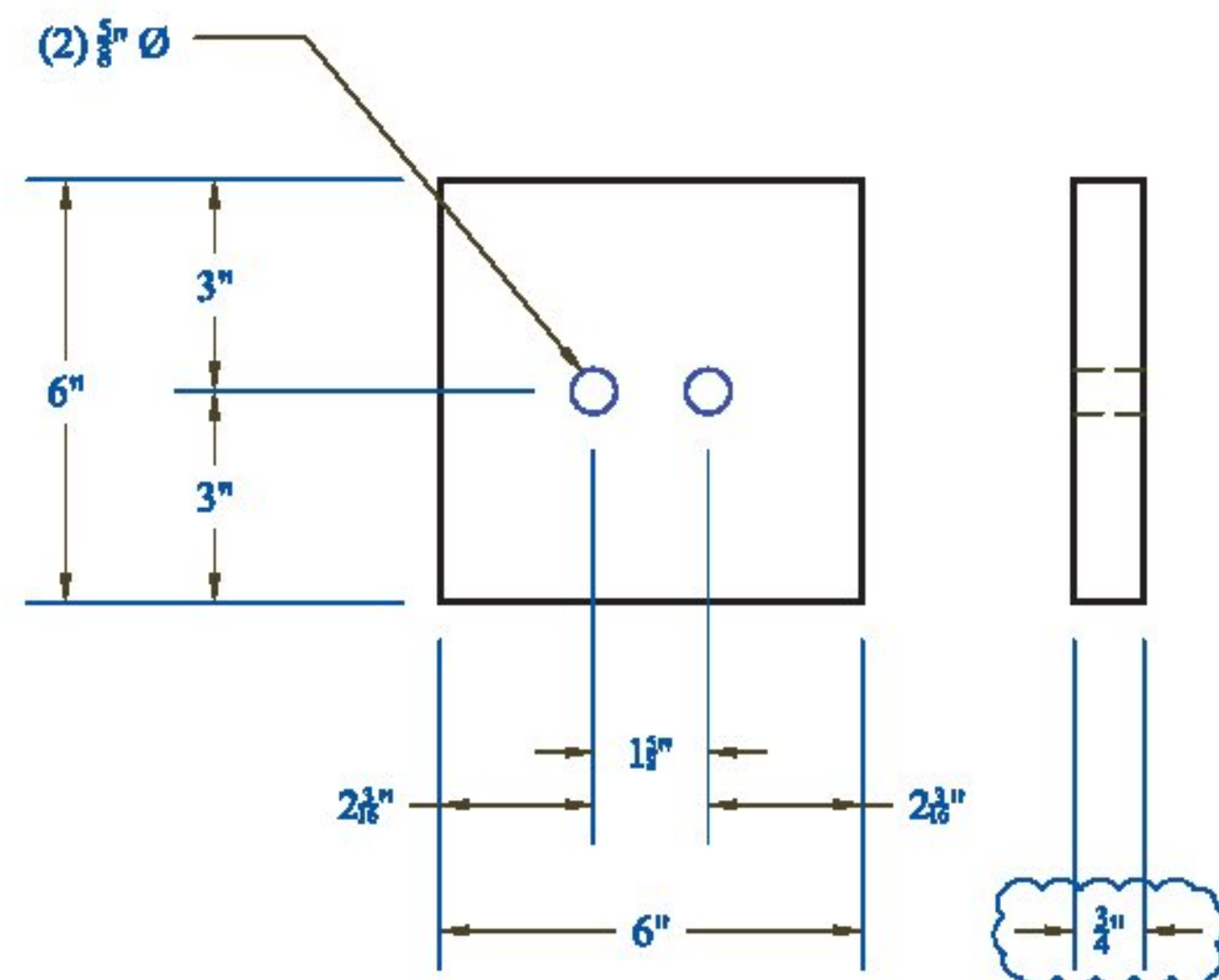
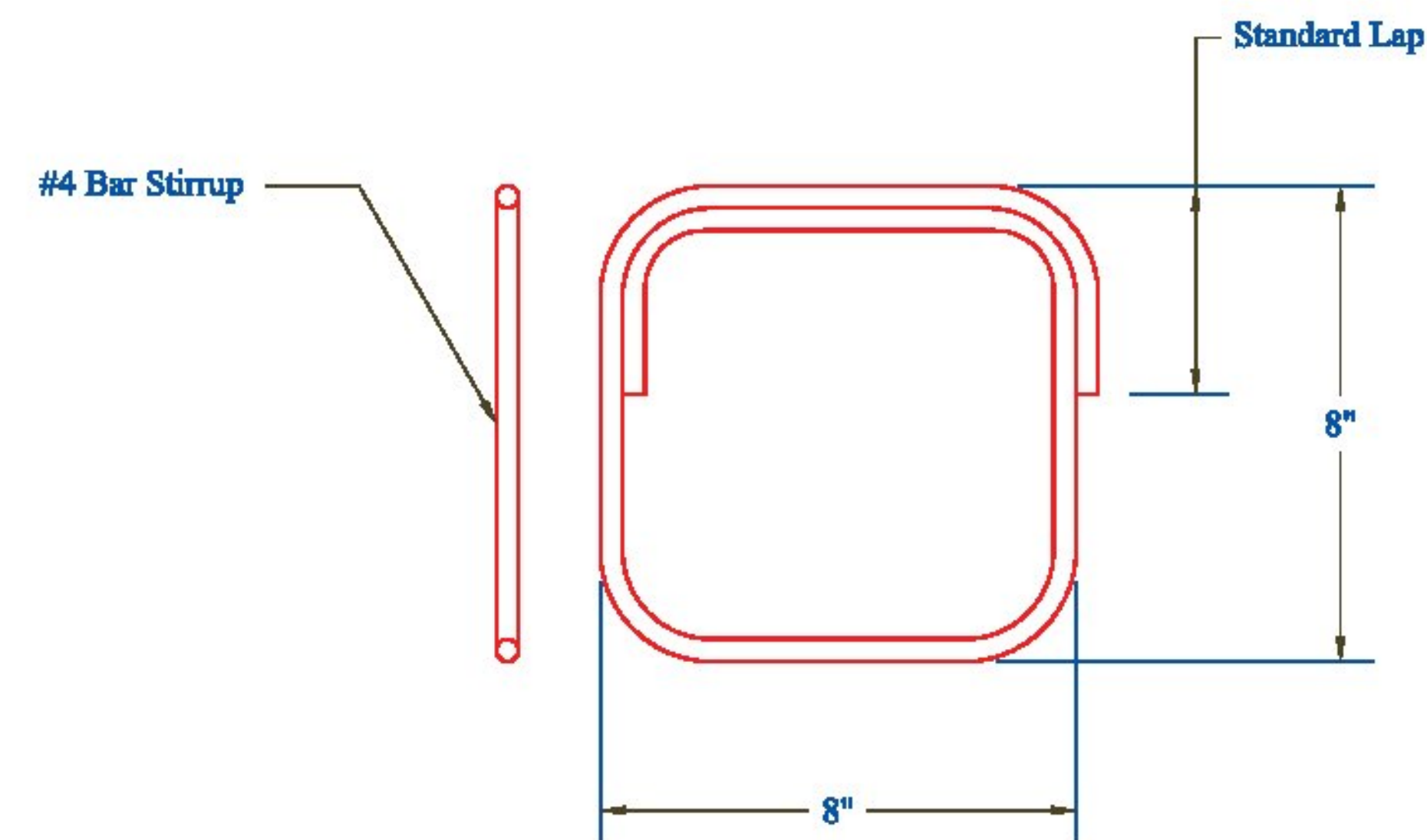


**Tension Duct Bearing Plate**

\* See post tensioning note 1 on pg 1

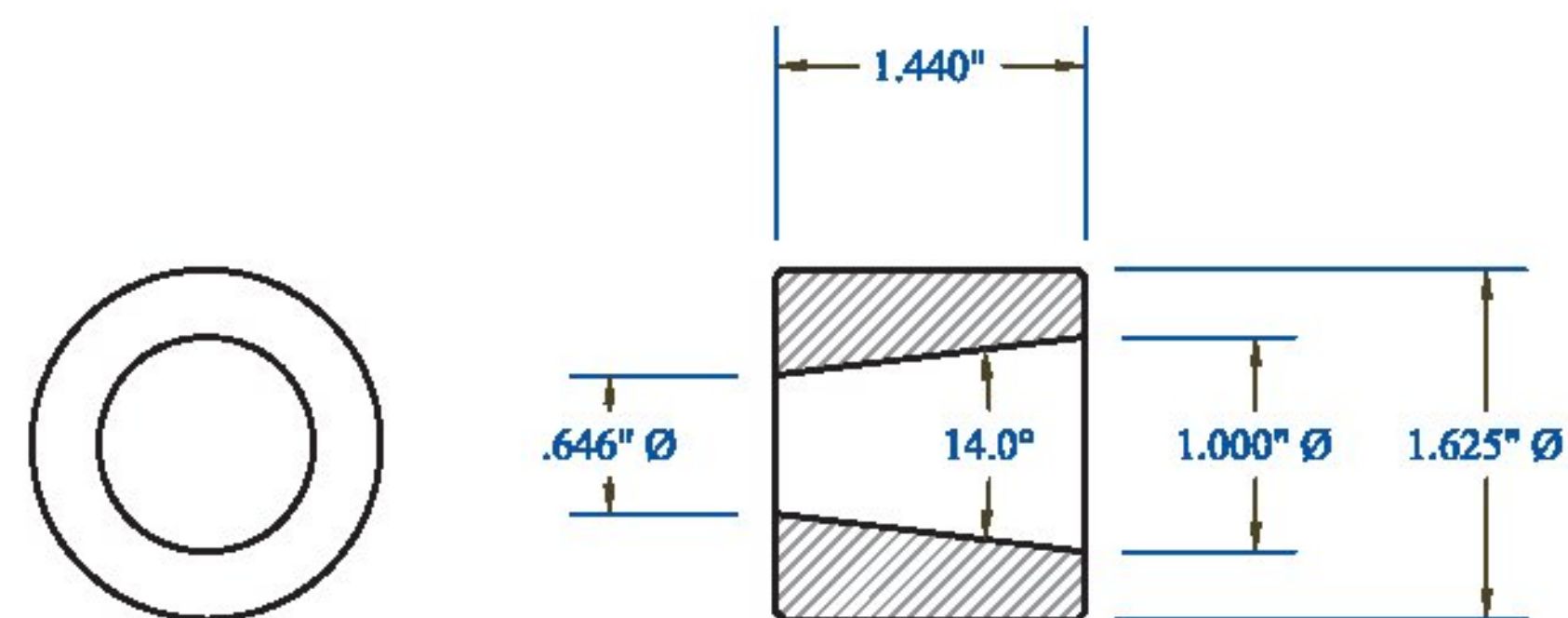


**Reinforcement Detail at Tensioning Blockouts**



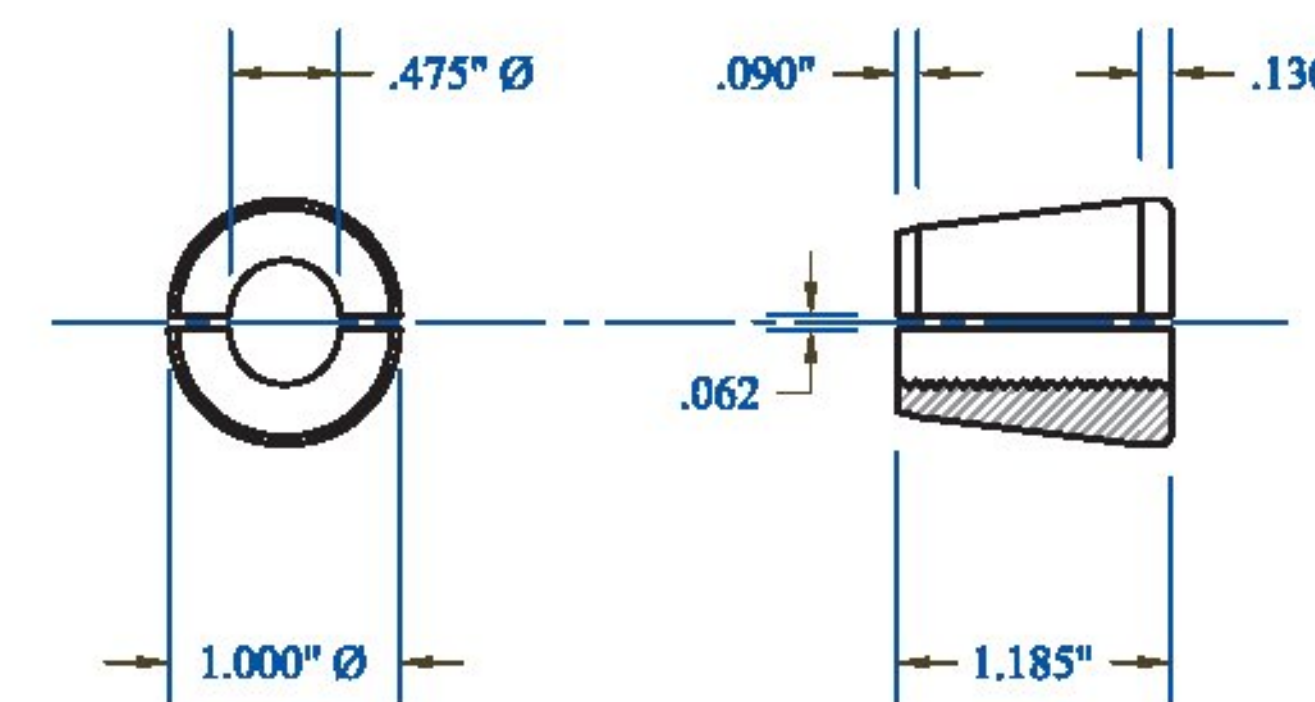
**0.5" Barrel Chuck**

\* See post tensioning note 1 on pg 1



**0.5" 2-Part Wedge**

\* See post tensioning note 1 on pg 1



Vermont Agency of Transportation

**RECEIVED**

Revised/Submitted 2/11/15\_Markup.dwg

CK'D BY CLB OK'D BY DRP

January 13, 2015

RESUBMIT NO Approved  
BY C. CARLSON DATE 01/15/15

W

PRECAST CONCRETE ABUTMENT SHOP DRAWINGS (SDI JOB #15163)

SUPERVISOR: M. WHEELER  
DETAILER: I. ADAMS  
CHECKER: E. Barendse  
ENGINEER:

PROJECT NAME:  
Stowe BR# 0235 (II)  
PROJECT # 0235 (II)  
LOCATION: Stowe, VT

INSTALLER:  
CCS Construction  
138 Munson Ave  
Morrisville, VT 05661  
PH: 802-888-7701

01/08/15

FABRICATOR:  
193 INDUSTRIAL AVE.  
WILLISTON, VT 05495  
PH: (802) 658-0201



Post Tensioning

8 of 11