

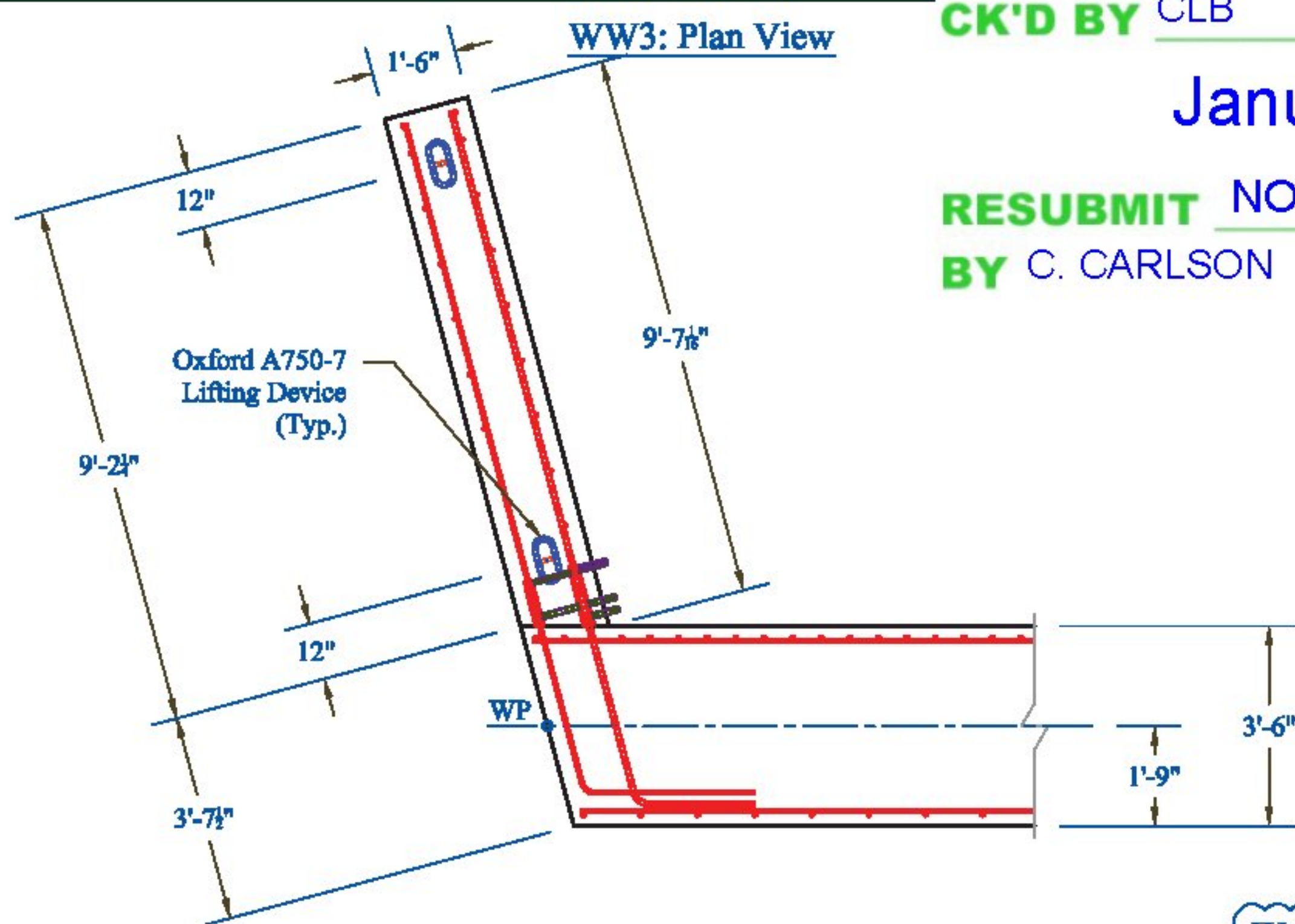
**RECEIVED**

CK'D BY CLB OK'D BY DRP

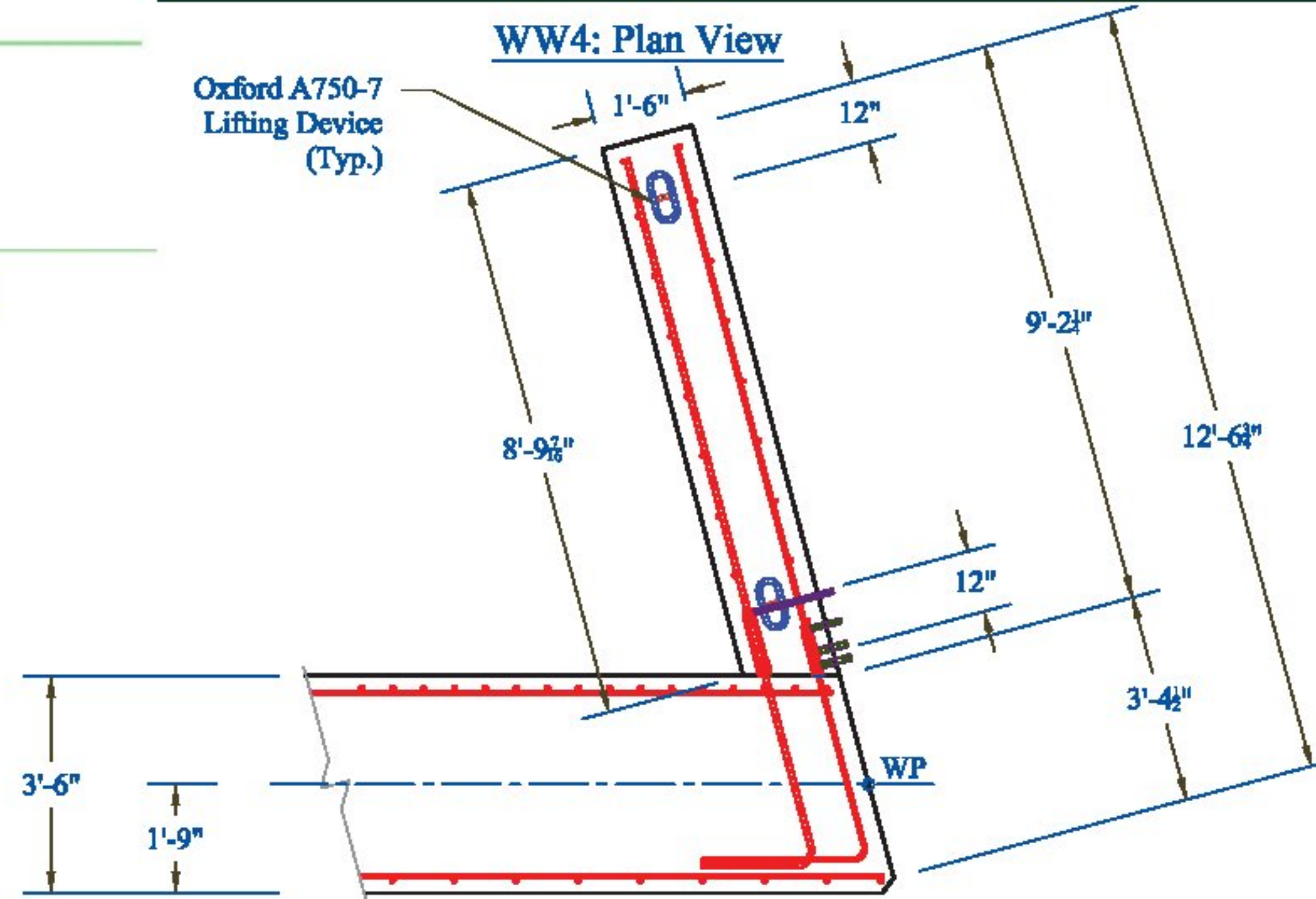
January 13, 2015

RESUBMIT NO Approved

BY C. CARLSON DATE 01/15/15

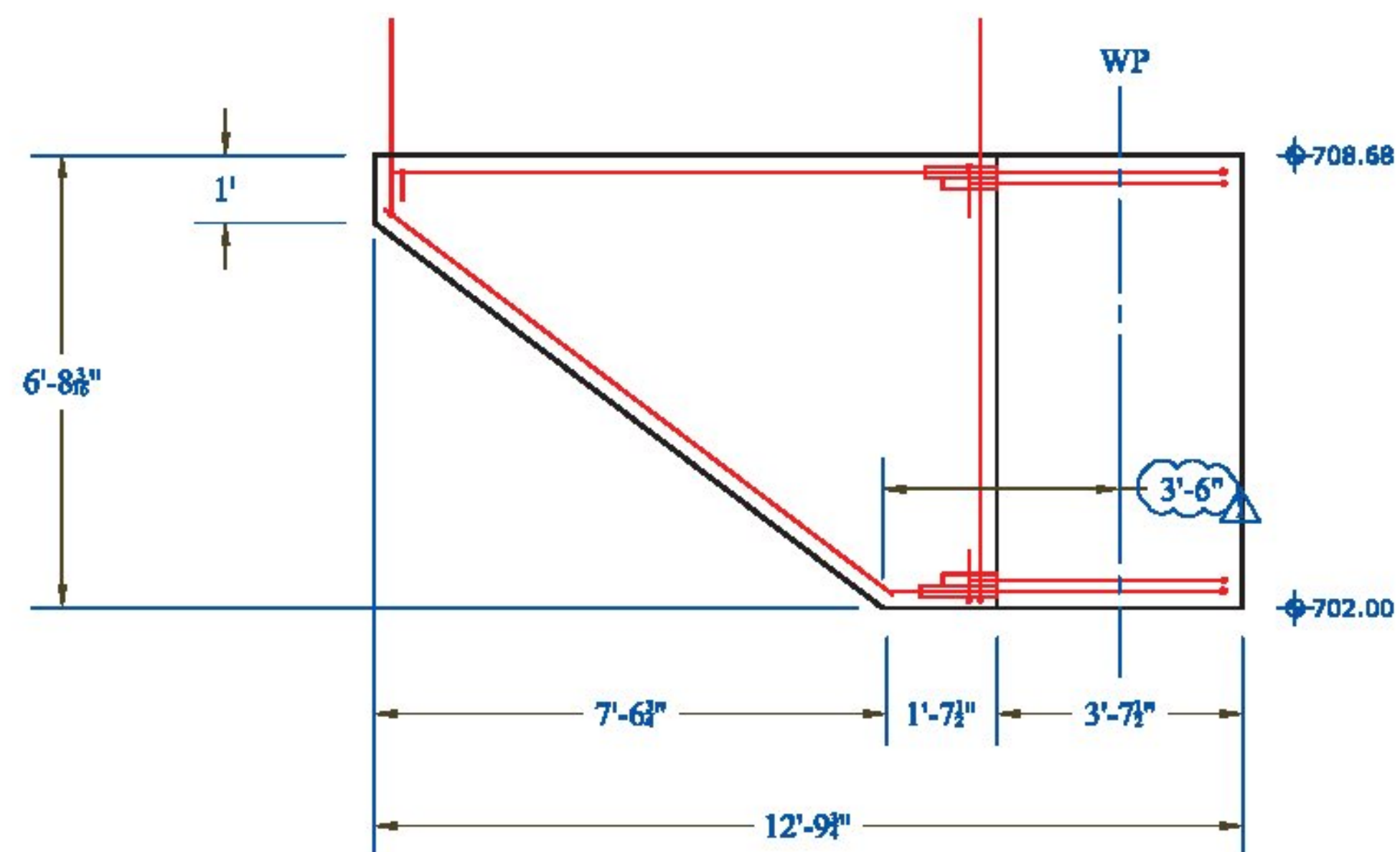


Weight: 9,160 lbs.

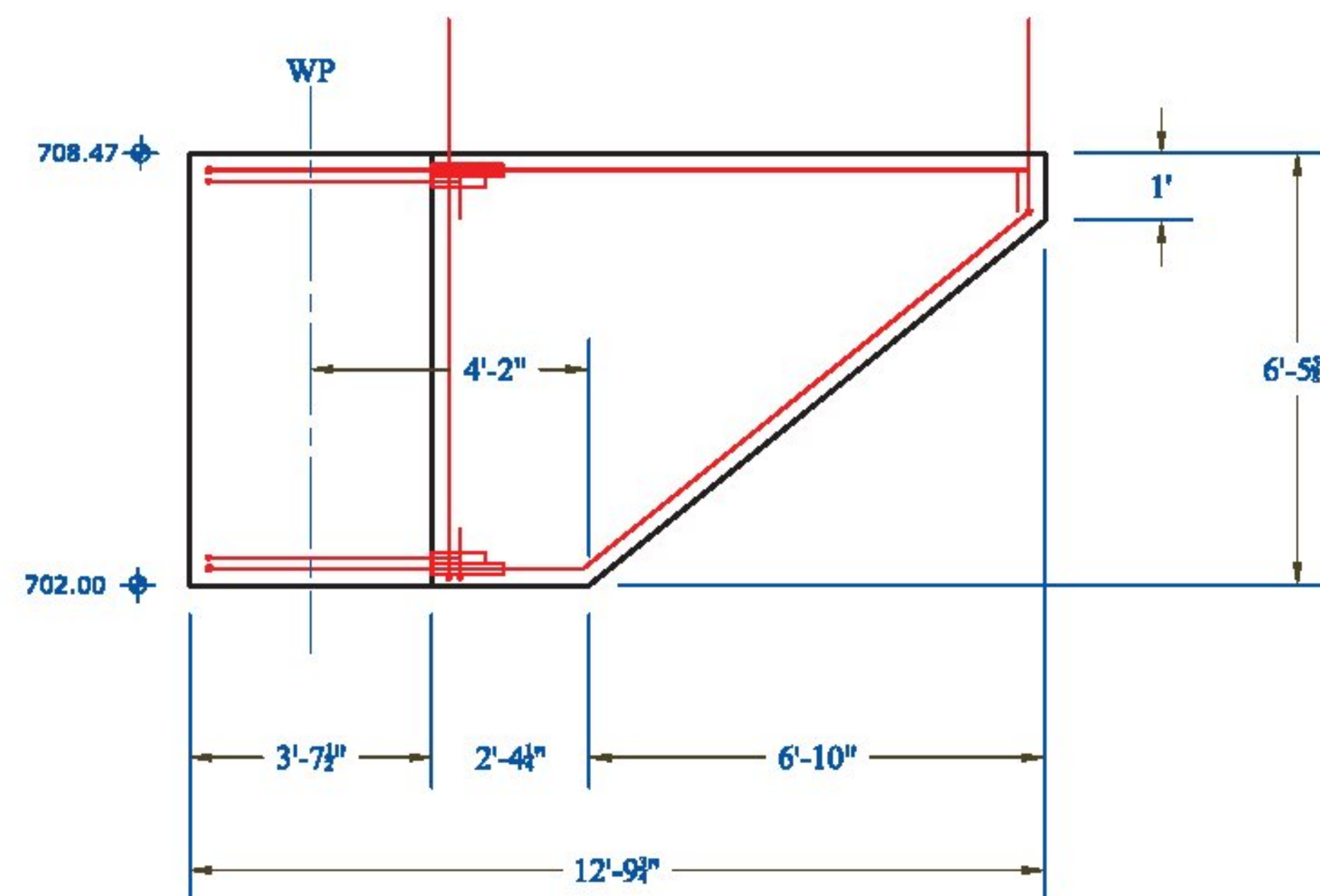


Weight: 8,800 lbs.

WW3: Elevation View  
(Reference Dimension Fabricators Sheet J for Bar Size, Type, and Schedule)



WW4: Elevation View  
(Reference Dimension Fabricators Sheet J for Bar Size, Type, and Schedule)



CONTRACTOR'S VISIT: Rev. 1 - 01/08/15 - Changes per VTrans Review

PRECAST CONCRETE ABUTMENT SHOP DRAWINGS (SDI JOB #15163)

SUPERVISOR: M. WHEELER  
 DETAILER: I. ADAMS  
 CHECKER: E. BARENDSE  
 ENGINEER:

PROJECT NAME:  
 Stowe BR# 0235 (II)  
 PROJECT # 0235 (II)  
 LOCATION: Stowe, VT

INSTALLER:  
 CCS Construction  
 138 Munson Ave  
 Morrisville, VT 05661  
 PH: 802-888-7701

01/08/15

FABRICATOR:  
 193 INDUSTRIAL AVE.  
 WILLISTON, VT 05495  
 PH: (802) 658-0201



Wingwalls 3 & 4

5 of 11