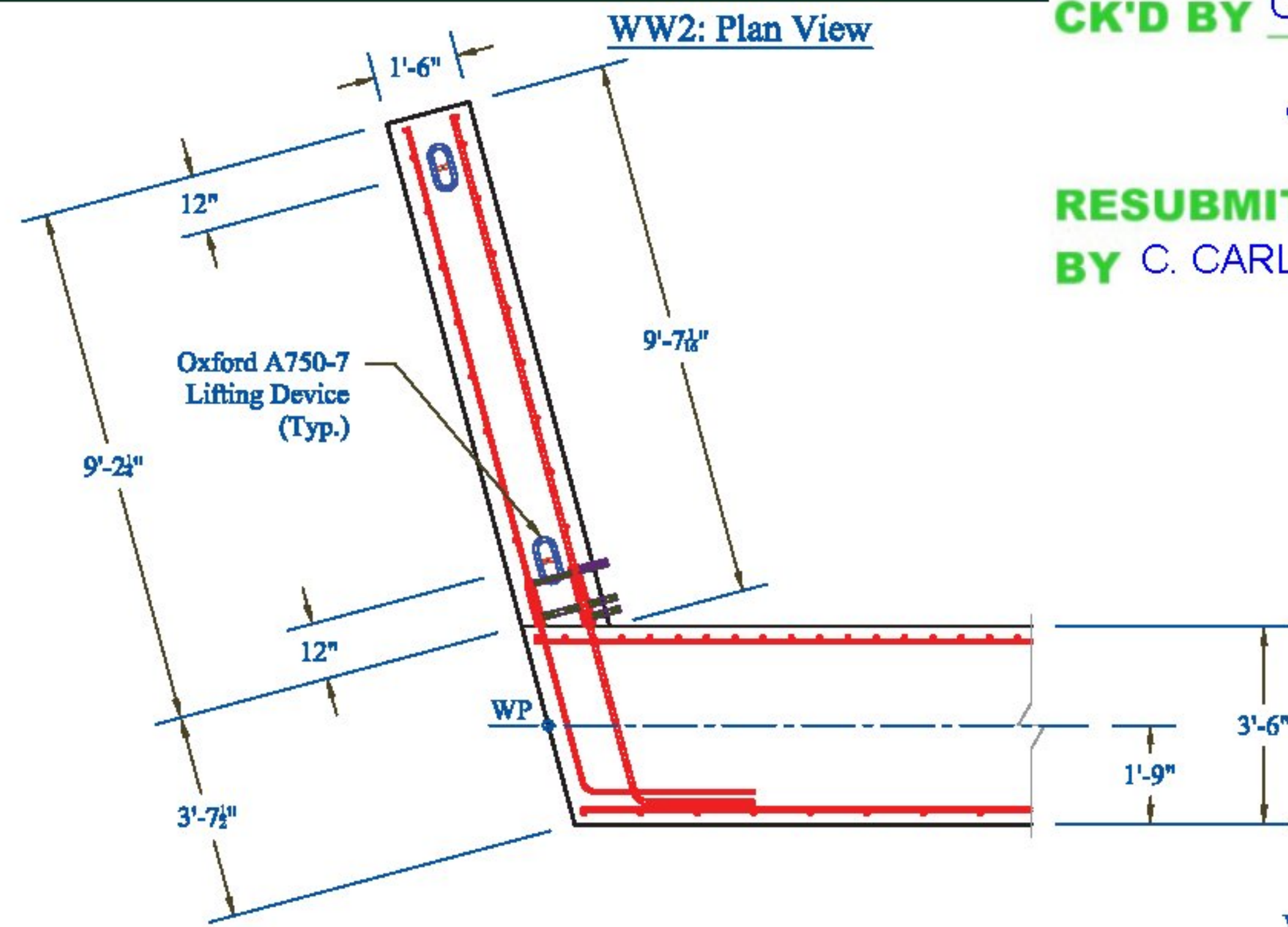


CK'D BY CLB OK'D BY DRP

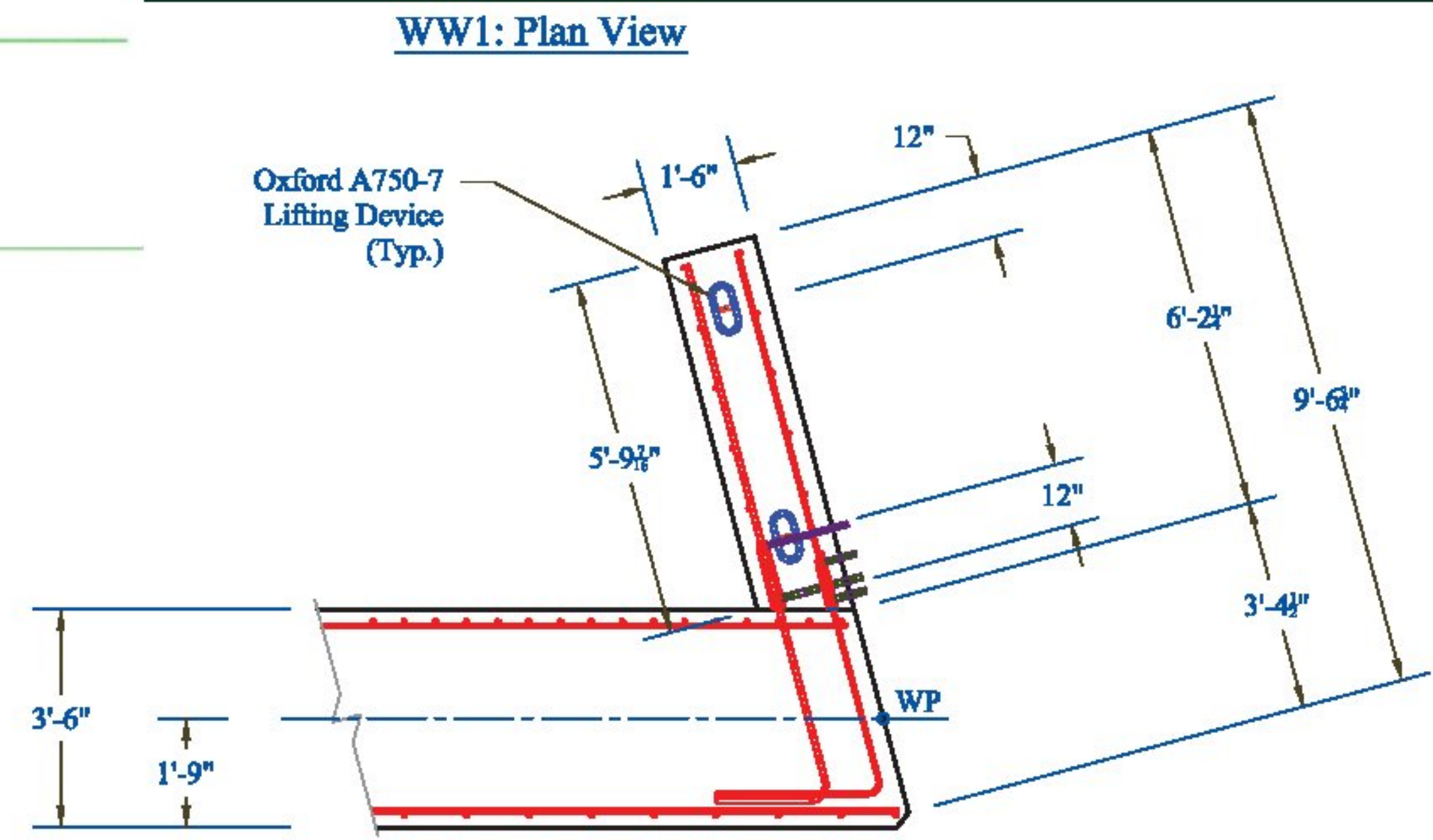
January 13, 2015

RESUBMIT NO
BY C. CARLSON

Approved
DATE 01/15/15

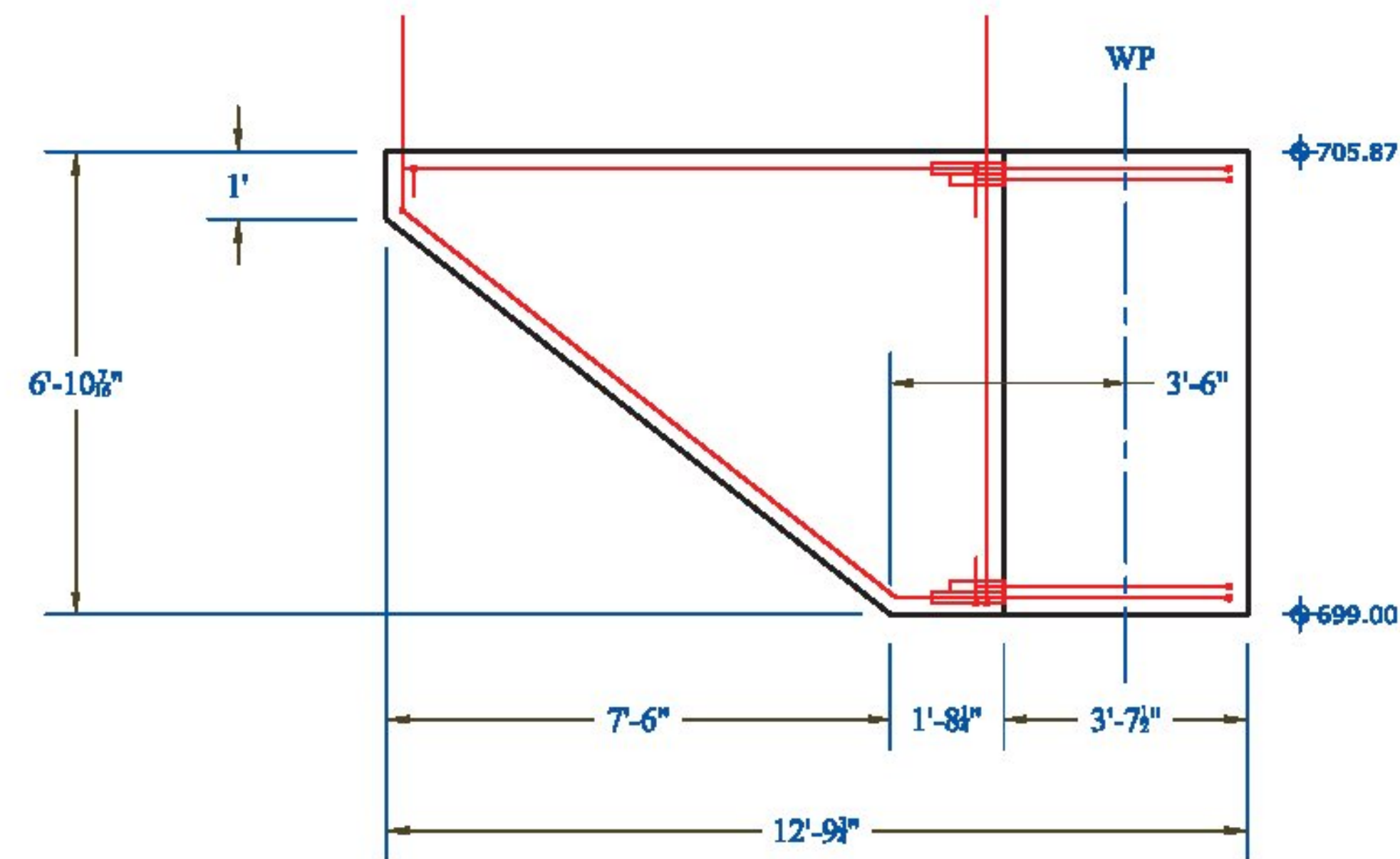


Weight: 9,450 lbs.

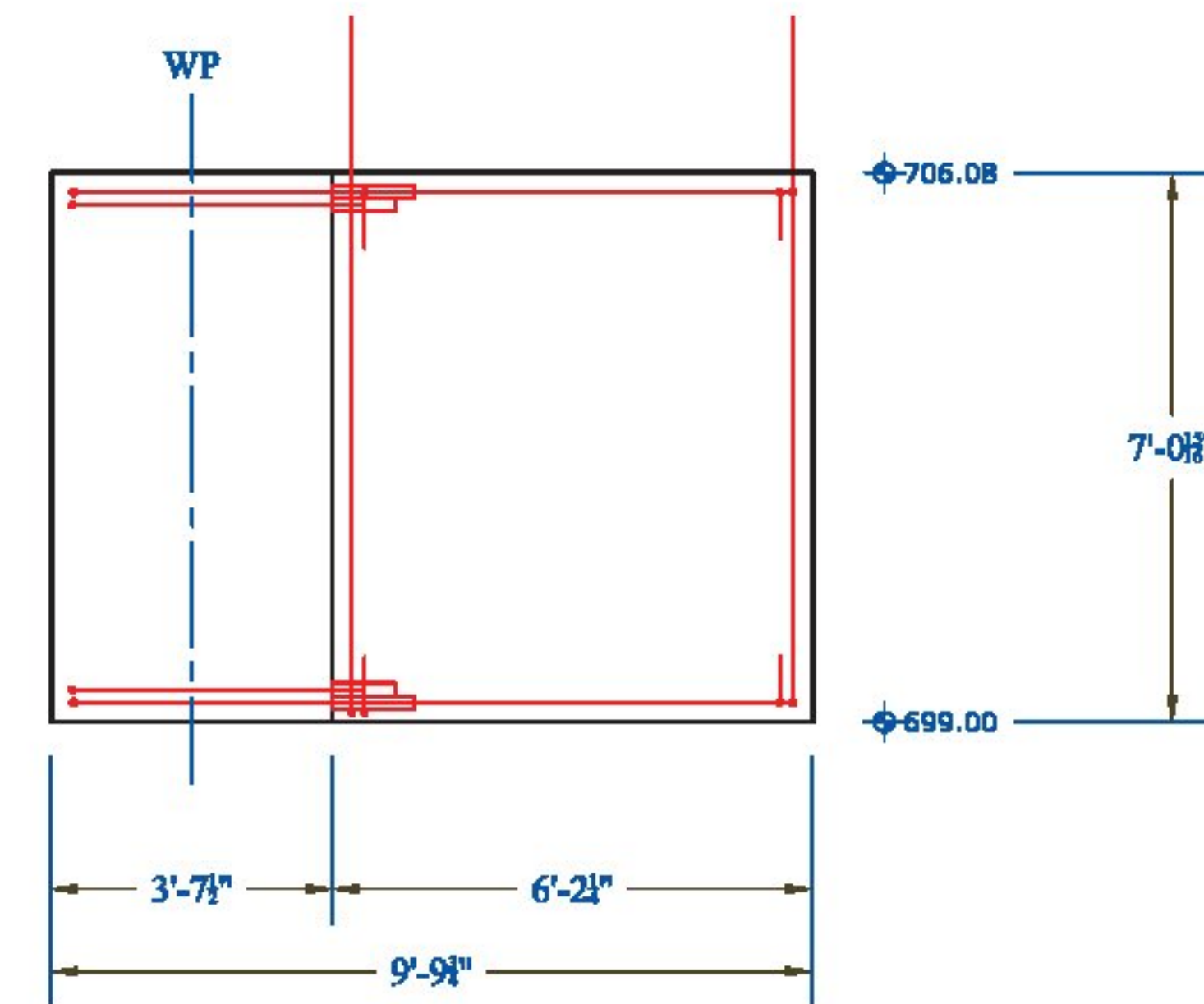


Weight: 9,400 lbs.

WW2: Elevation View
(Reference Dimension Fabricators Sheet F for Bar Size, Type, and Schedule)



WW1: Elevation View
(Reference Dimension Fabricators Sheet F for Bar Size, Type, and Schedule)



CONTRACTOR'S VISIT: Rev. 1 - 01/08/15 - Changes per VTrans Review

PRECAST CONCRETE ABUTMENT SHOP DRAWINGS (SDI JOB #15163)

SUPERVISOR: M. WHEELER
DETAILER: I. ADAMS
CHECKER: E. Barendse
ENGINEER:

PROJECT NAME:
Stowe BR# 0235 (II)
PROJECT # 0235 (II)
LOCATION: Stowe, VT

INSTALLER:
CCS Construction
138 Munson Ave
Morrisville, VT 05661
Ph: 802-888-7701

01/08/15

FABRICATOR:
193 INDUSTRIAL AVE.
WILLISTON, VT 05495
Ph: (802) 658-0201



Wingwalls 1 & 2

4 of 11