

ENCL. B

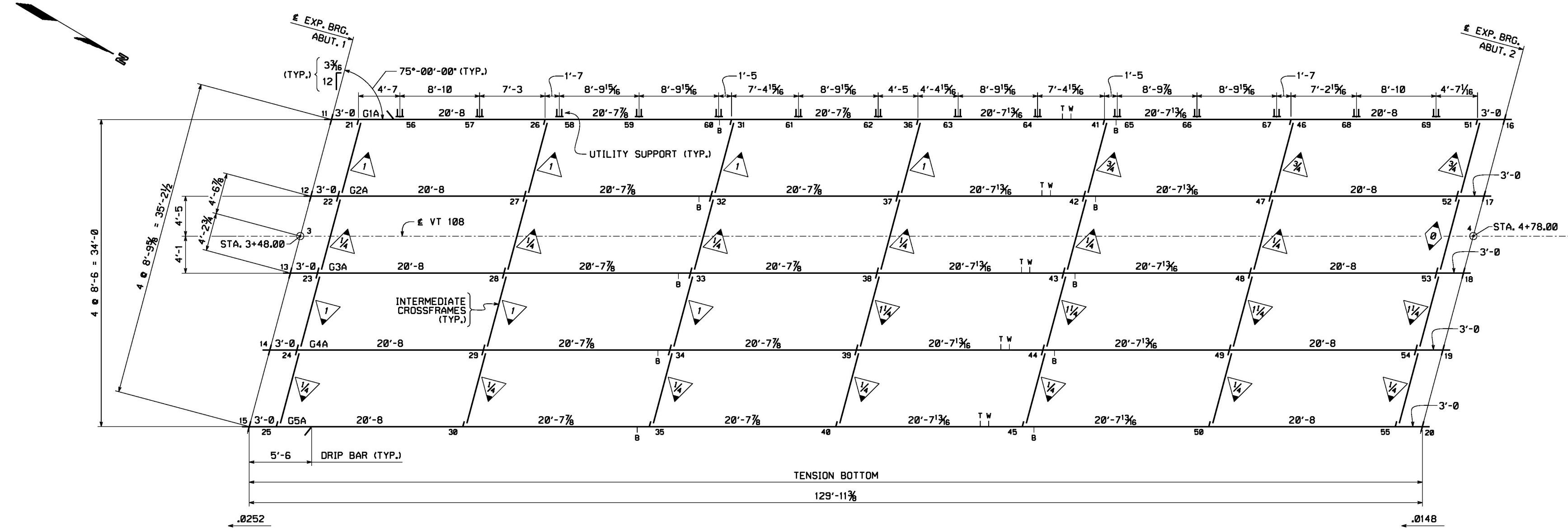
Scale = 0.813 Feet/Foot

SHIPMENT #1 PAVING 202323 PWD 202323 SHORHPRECT1 202323

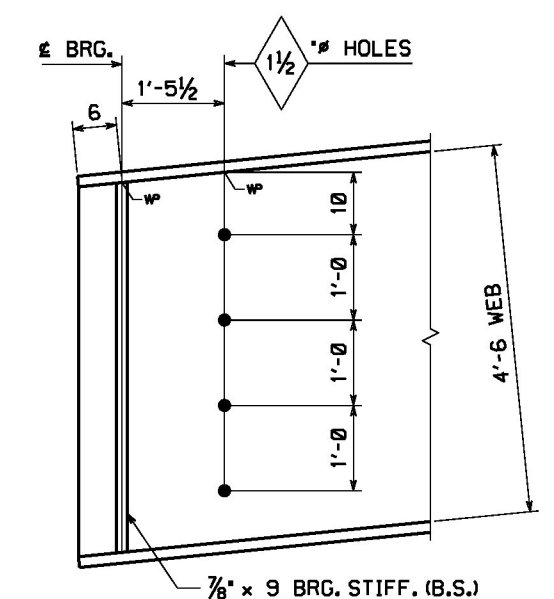
BY: mhwadski

PLOTTED: 1/12/2015 2:58:06 PM

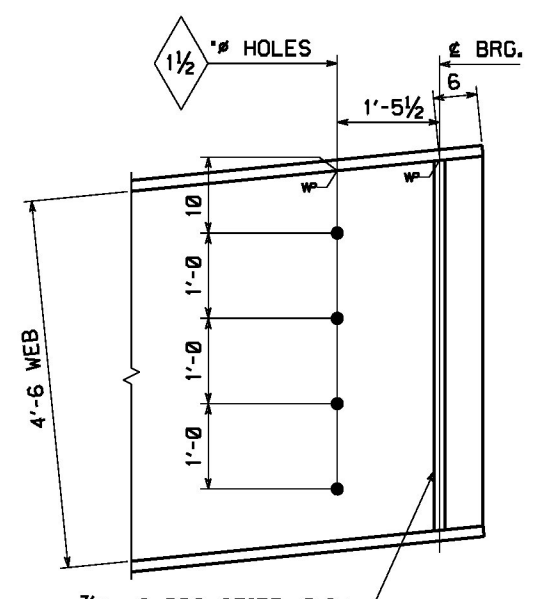
82



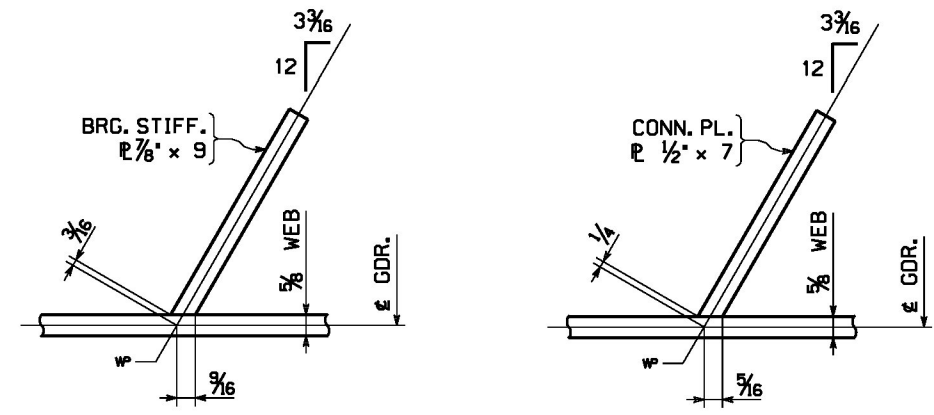
CALCULATION PLAN



TYPICAL GIRDER END @ ABUT. 1



TYPICAL GIRDER END @ ABUT. 2



SKewed BRG. STIFF. LAYOUT SKewed CONN. PL. LAYOUT

**NOTES:**  
 DIMENSIONS ON PLAN ALONG GIRDERS ARE GIVEN TO THE CHORD AT THE BOTTOM OF WEB IN FULLY CAMBERED POSITION. ALL OTHER DIMENSIONS ARE GIVEN HORIZONTALLY.  
 DIMENSIONS PLACED ON THE GIRDER LINES REPRESENT CROSSFRAME SPACING. FIGURES GIVEN THUS:  $\Delta$  ARE THE GRADES OF THE GIRDERS AT THE BEARINGS IN FINAL POSITION; ARROW POINTS DOWNGRADE.  
 ALL STIFFENER AND CONNECTION PLATE SPACINGS ARE GIVEN TO  $\epsilon$  PLATE. ENDS OF GIRDERS AND ALL BEARING STIFFENERS TO BE VERTICAL IN FINAL POSITION.  
 ALL STEEL TO BE AASHTO M270, GRADE 50W (U.N.).  
 ALL FIELD CONNECTIONS TO BE MADE WITH  $\frac{7}{8}$ " H.S. (A325 TYPE 3) BOLTS IN  $1\frac{1}{2}$ " HOLES (U.N.).  
 FIGURES GIVEN THUS:  $\Delta$  ARE THE DIFFERENCES IN ELEVATIONS OF GIRDERS (IN THE PLANE OF THE CROSSFRAME IN FINAL POSITION) AT CROSSFRAMES; ARROW POINTS TOWARD LOW GIRDER.  
 FOR TYPICAL DETAIL LAYOUTS, SEE DRAWINGS PREFIXED 'TD'.  
 MARKS GIVEN THUS:  $\Delta$  REPRESENT WEB & FLANGE SHOP SPLICE LOCATIONS.  
 (ALL BOLTED CONNECTIONS REQUIRE DTI WASHERS.)

**\*\*NOTE\*\***  
 THE PURPOSE OF THIS DRAWING IS TO COORDINATE GEOMETRIC CONTROL INFORMATION. THIS DRAWING IS SUBMITTED FOR INFORMATION ONLY AND IS NOT INTENDED FOR SHOP FABRICATION. THIS DRAWING IS FOR REFERENCE ONLY, APPROVAL IS NOT REQUIRED.

Vermont Agency of Transportation  
**RECEIVED**  
 CK'D BY CLB OK'D BY DRP  
 January 23, 2015  
 RESUBMIT NO Approved  
 BY C. CARLSON DATE 01/23/15

CROSSMEMBER DROPS AND POINT TO POINT DIMENSIONS MADE BY: SSL CHECKED BY: MAF

NO.	REVISION	BY	CHK'D	DATE
WORKSHEET - CALCULATION PLAN				
VT RT 108 OVER LITTLE RIVER				
VT RT 108 STA. 3+48.00 TO STA. 4+78.00				
TOWN OF STONE, LAMOILLE COUNTY, VERMONT				
STATE OF VERMONT				
AGENCY OF TRANSPORTATION				
STATE CONT. OR REF. NO.	BRF 0235 (11)	FED. AID PROJ. NO.		
GENERAL CONTRACTOR	CCS CONSTRUCTORS LLC	PROJ. MGR.	KEN GLIDDEN	
DRAWING MANAGER	DAVE PAINTER (IH)	MADE BY	KLW	CHK'D BY Kng
DATE	1/15/14	DRAWING NUMBER	S-1140166A-1	WS1 OF WS1