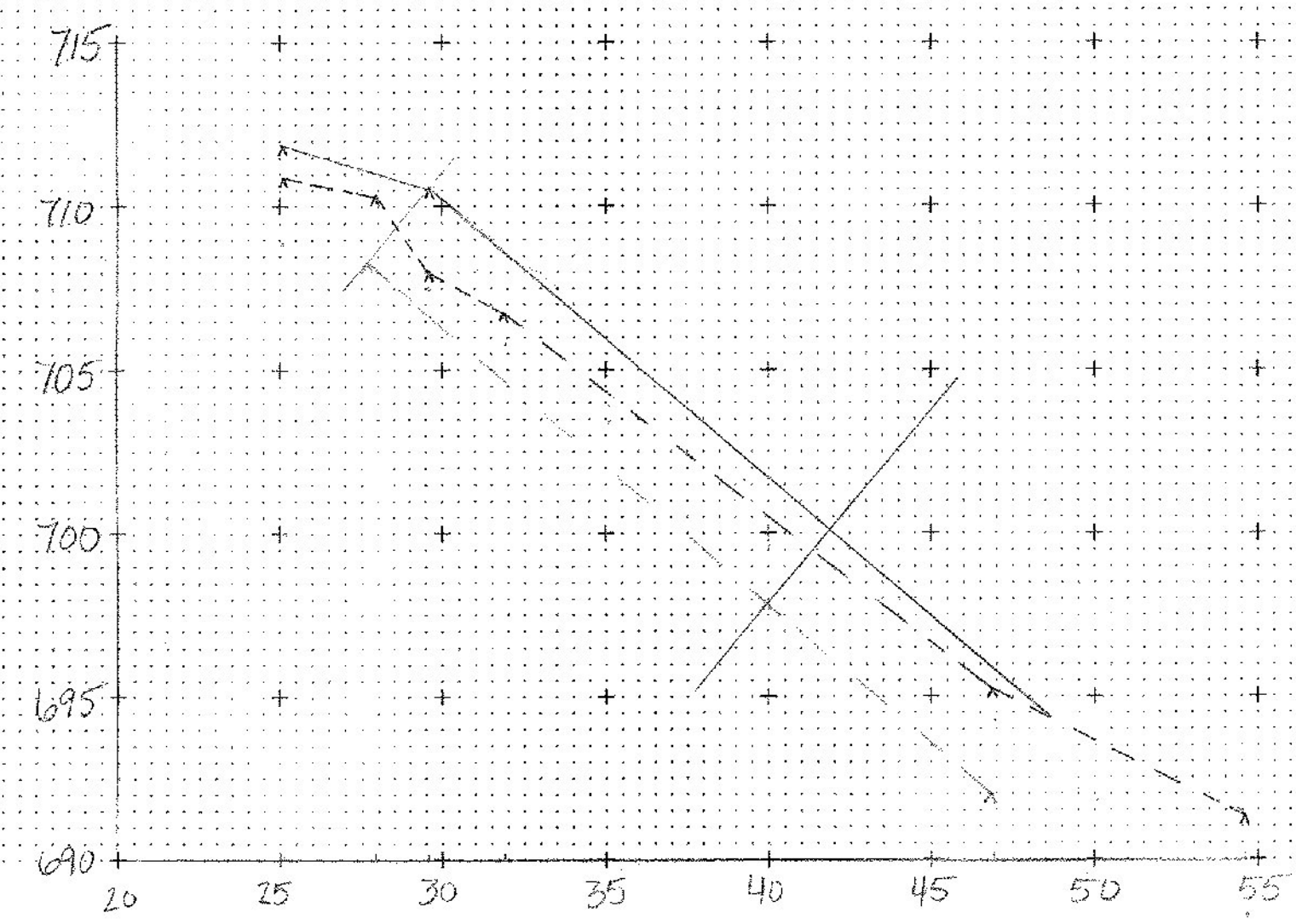


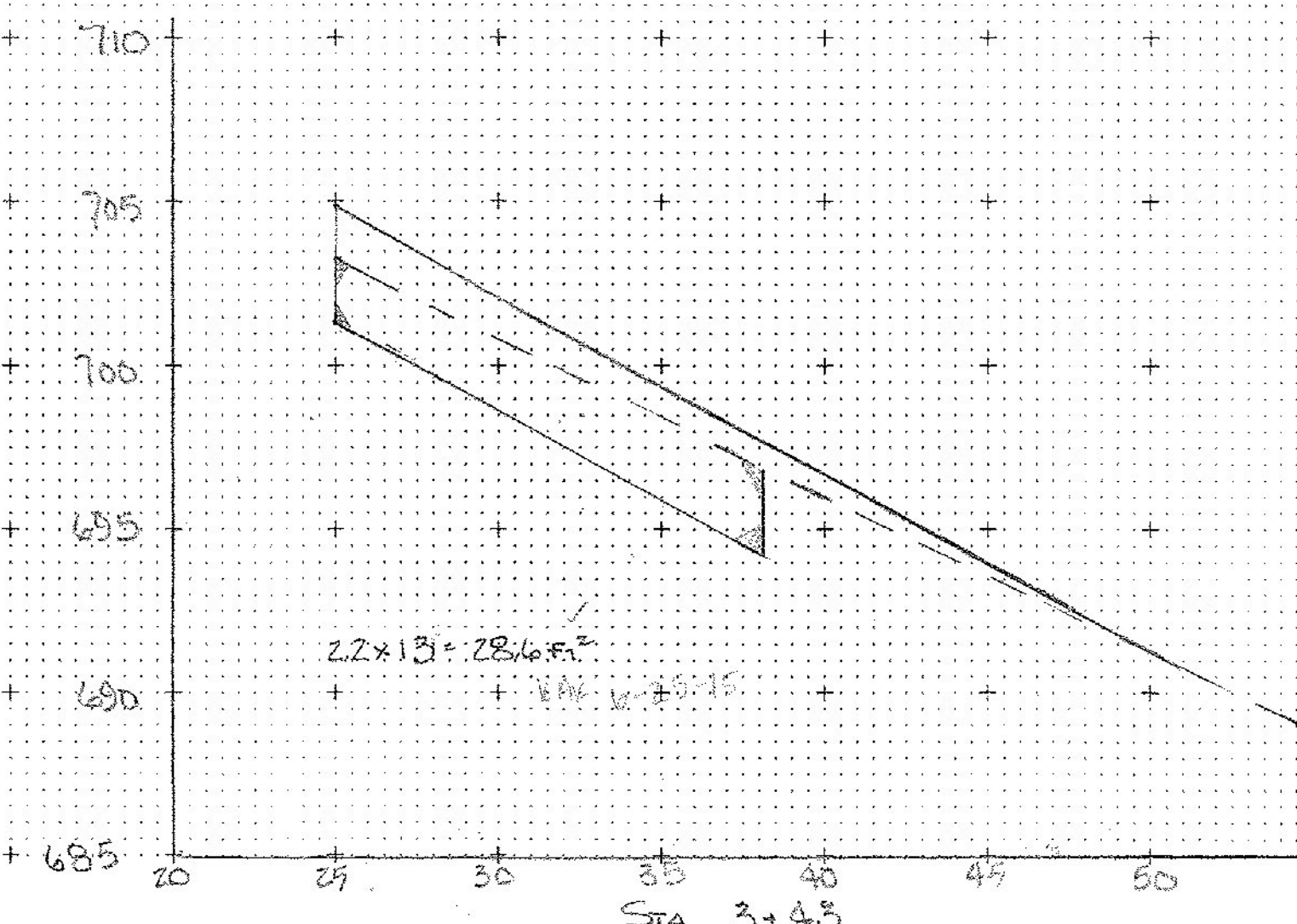
Unclassified Channel Excavation

$$\left(\frac{0+1.5}{2} \times 12\right) + \left(\frac{1.5+1.3}{2} \times 10\right) + \left(\frac{1.3+2.9}{2} \times 23\right) + \left(\frac{2.0+2.7}{2} \times 8.1\right) + \left(\frac{2.7+0}{2} \times 13\right) = 27.035 \text{ ft}^2$$

PAE 6-22-15  
WSP 6-23-15



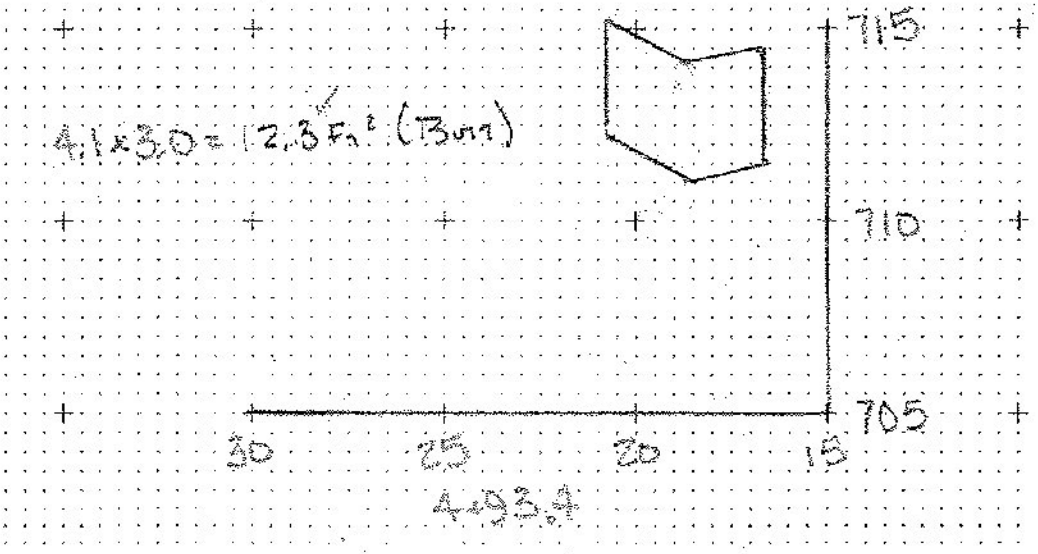
STA. 3+25.00



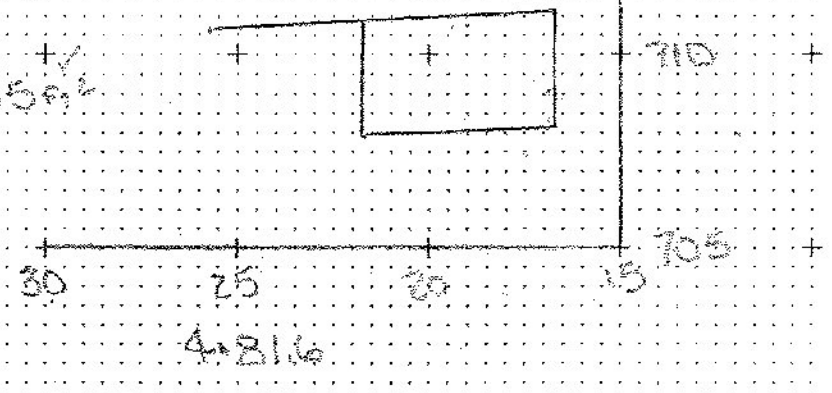
STA 3+45

Sta 4+70	0
4+80.6	10.6
4+81.6	15
4+83.4	11.8
4+93.4	123

79.5'  
15.0'  
116.1'  
255.6 ft<sup>2</sup> / 27 = 9.5 ft<sup>2</sup> WSP  
6-23-15



4+93.4



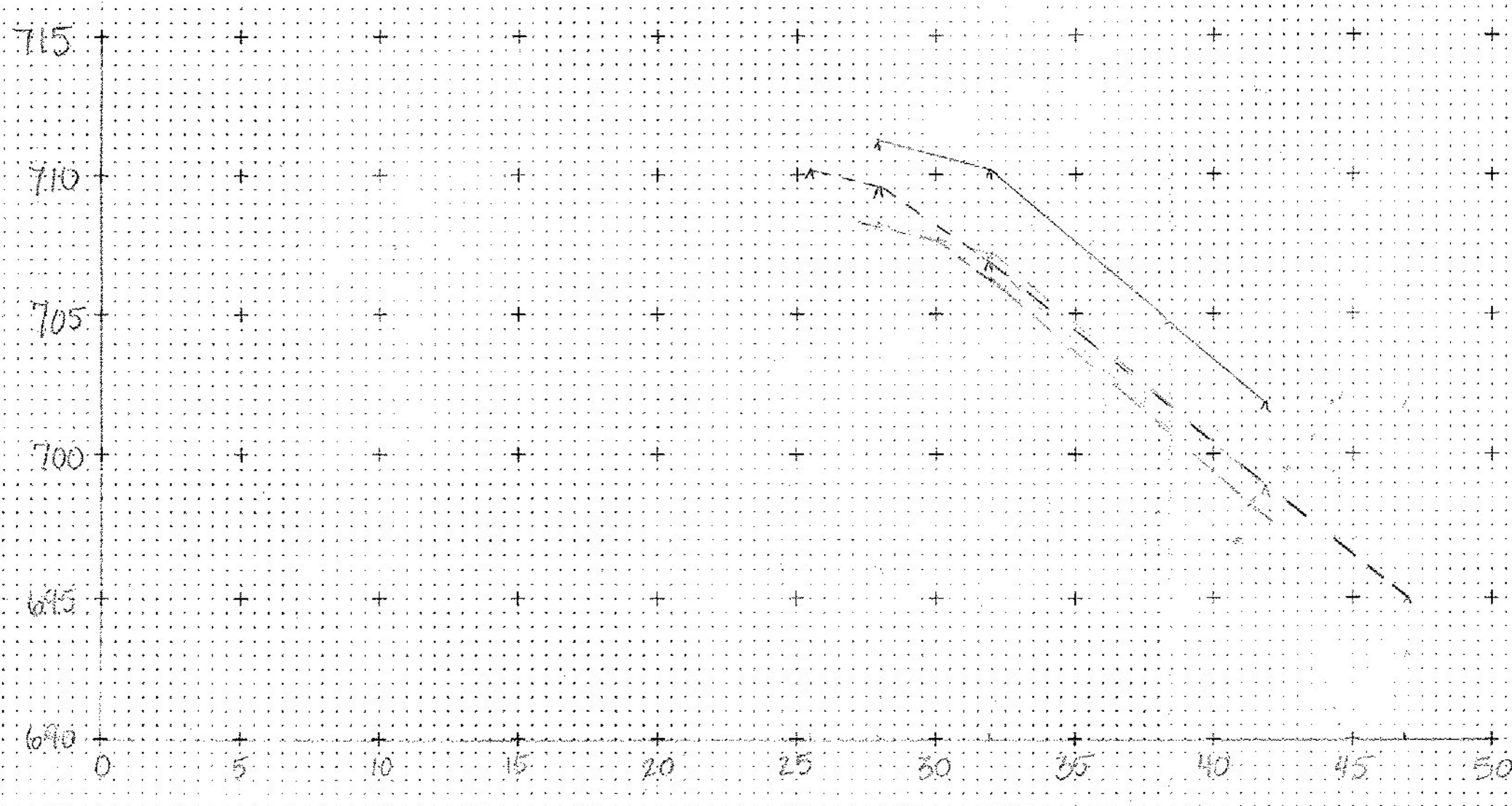
4+81.6

3.0 x 5.0 = 15 ft<sup>2</sup>

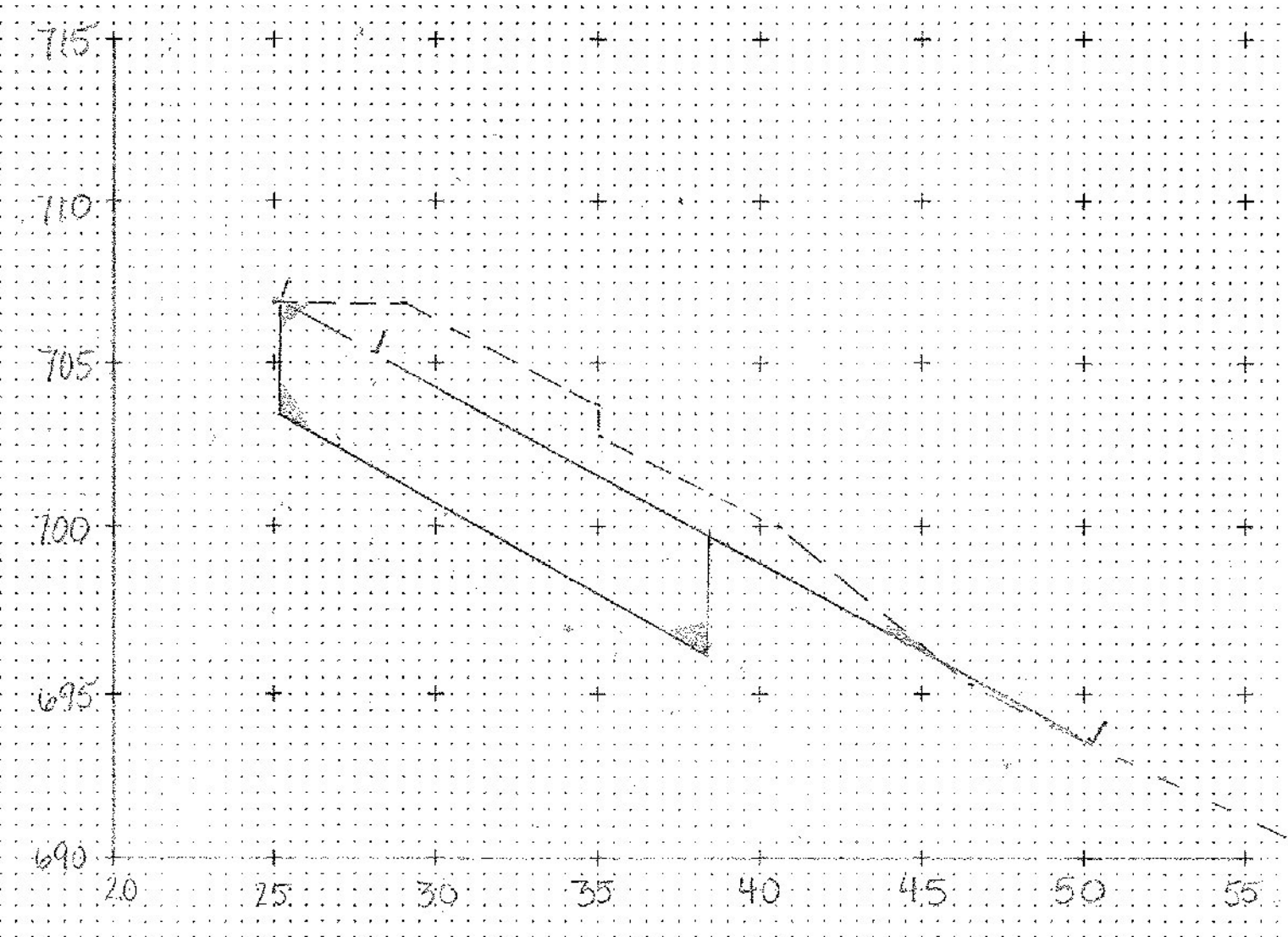
Sta 4+80.6

Sta 3+11.0	14	11.7	270.9'
Sta 3+25.0	8.2	27.0	260.0
Sta 3+50.2	12.8	73.0	655.2
Sta 3+45		28.6	

$\frac{1181.1 \text{ ft}^2}{27} = 43.7 \text{ ft}^2$  WSP  
6-23-15



STA 3+11.00



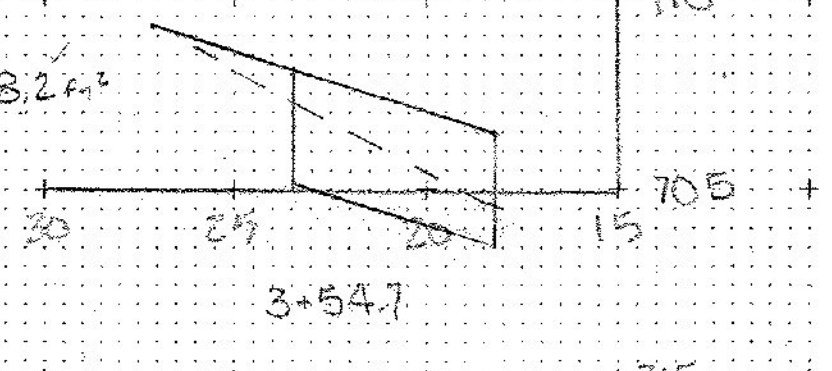
STA. 3+30.23

$\frac{17.1}{3.0 \times 5.5 \times 3.0} + \frac{33.6}{(3.5 \times 3) \times 6} + \frac{16.5}{(4.7 \times 5) \times 3.4} + \frac{2.5}{(1.2 \times 1.3) \times 2.0} + \frac{2.25}{(1.2 \times 3.0) \times 5} = 73 \text{ ft}^2$   
WSP 6-15-15

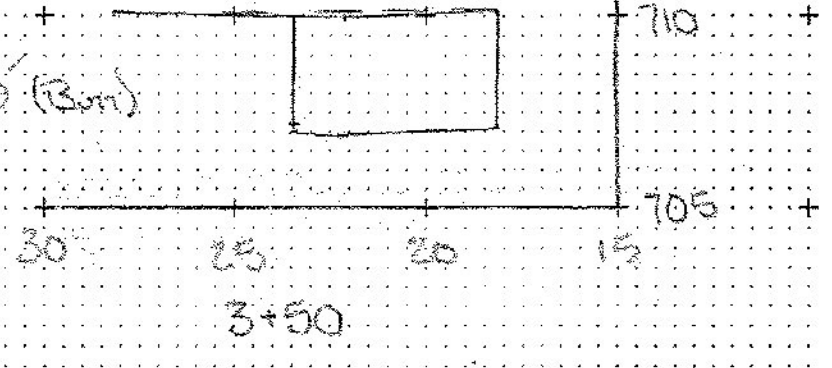
3+50	15.9
3+54.7	4.7
3+60	5.5
3+60	0

56.6'  
21.7'  
70.3 / 27 = 2.6 ft<sup>2</sup> WSP  
6-23-15

$\frac{2.1 \times 10 \times 5.3}{2} = 8.2 \text{ ft}^2$



3+54.7



3+50

3.0 x 5.3 = 15.9 (3m)

3+45

Unclassified Channel Excavation (ignore red line, use green line)

$$\left(\frac{1.5+0.5}{2} \times 2.2\right) + \left(\frac{0.5+1.1}{2} \times 11.9\right) = 11.72 \text{ ft}^2$$

PAE 6-22-15  
WSP 6-23-15

# PLAN & PROFILE SHEET

Plotted By PAK 6-22-15

PROJECT NAME:	STONE		
PROJECT NUMBER:	BRF 0235(11)		
FILE NAME:		PLOT DATE:	12-MAY-2005 16:0
PROJECT LEADER:		DRAWN BY:	
DESIGNED BY:		CHECKED BY:	
const: g:/common/cadd/e-xsection.dgn		SHEET	OF