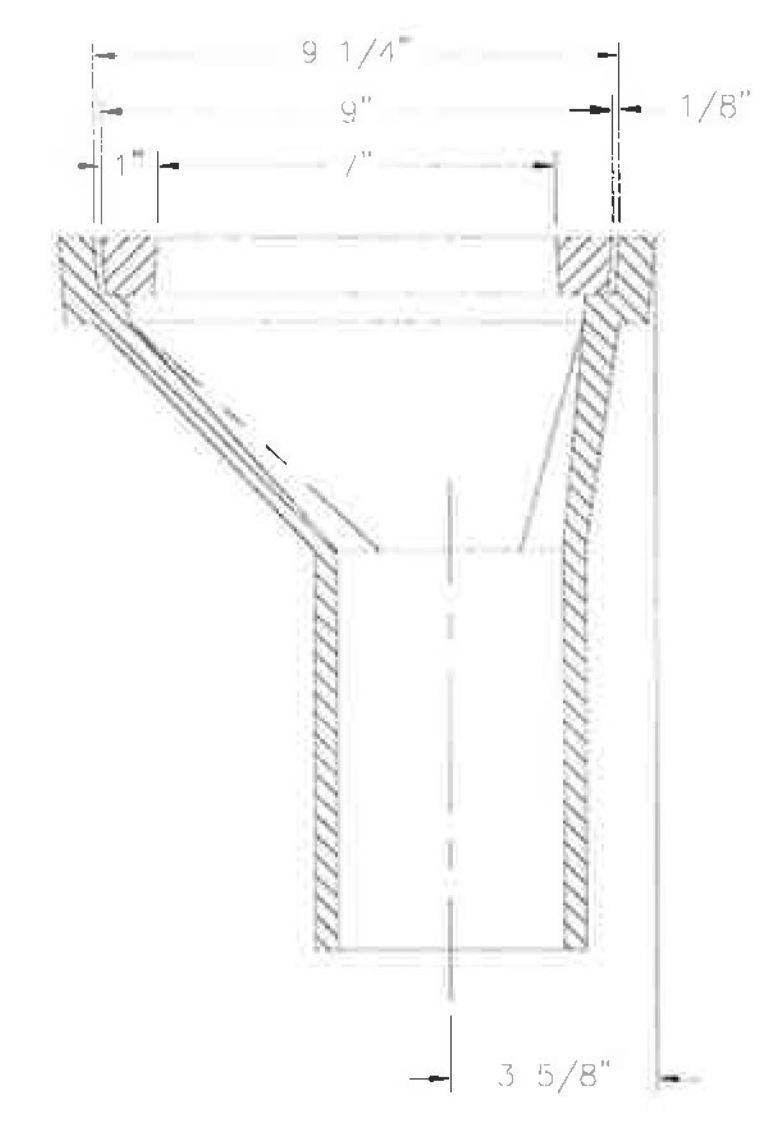
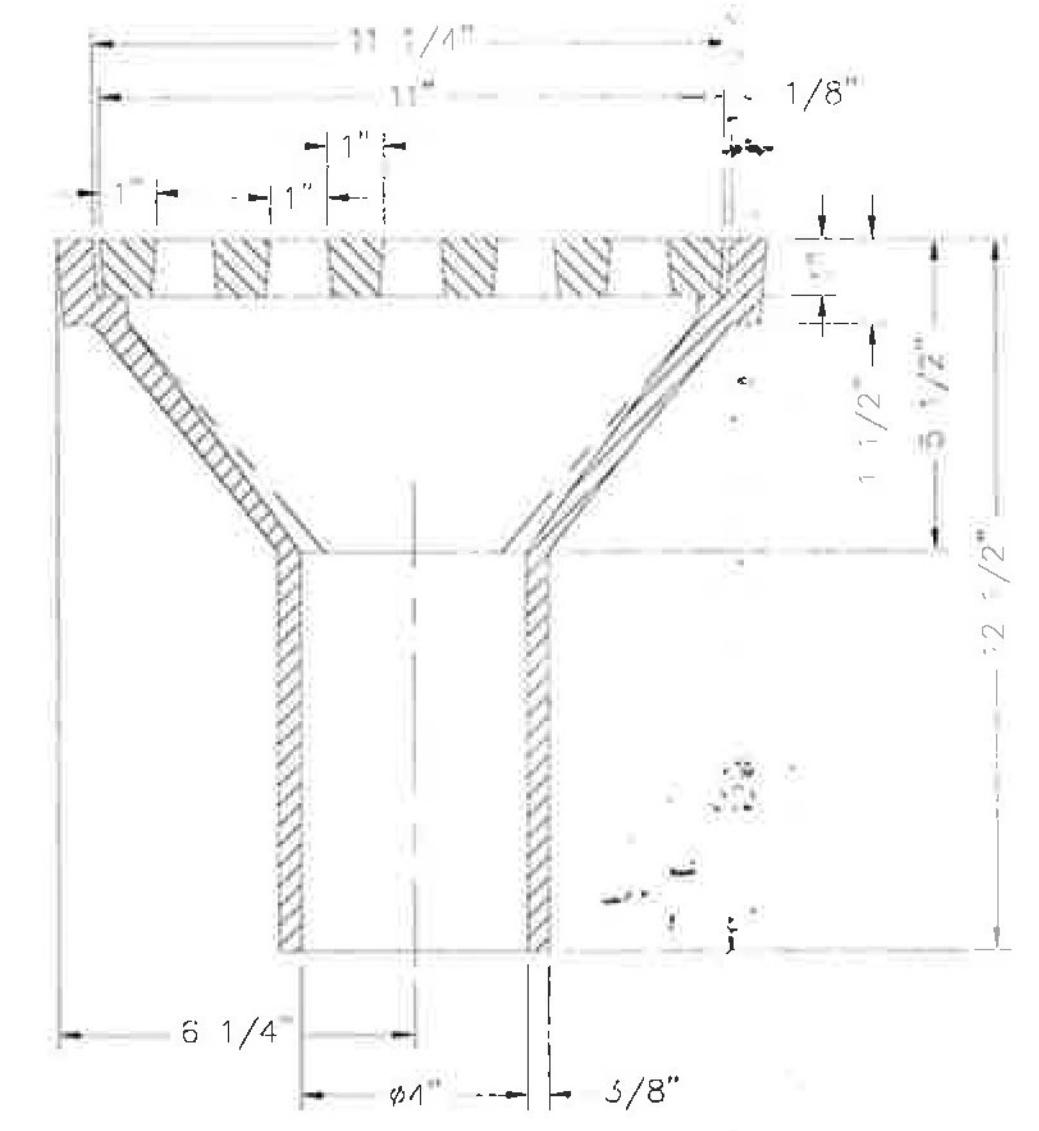
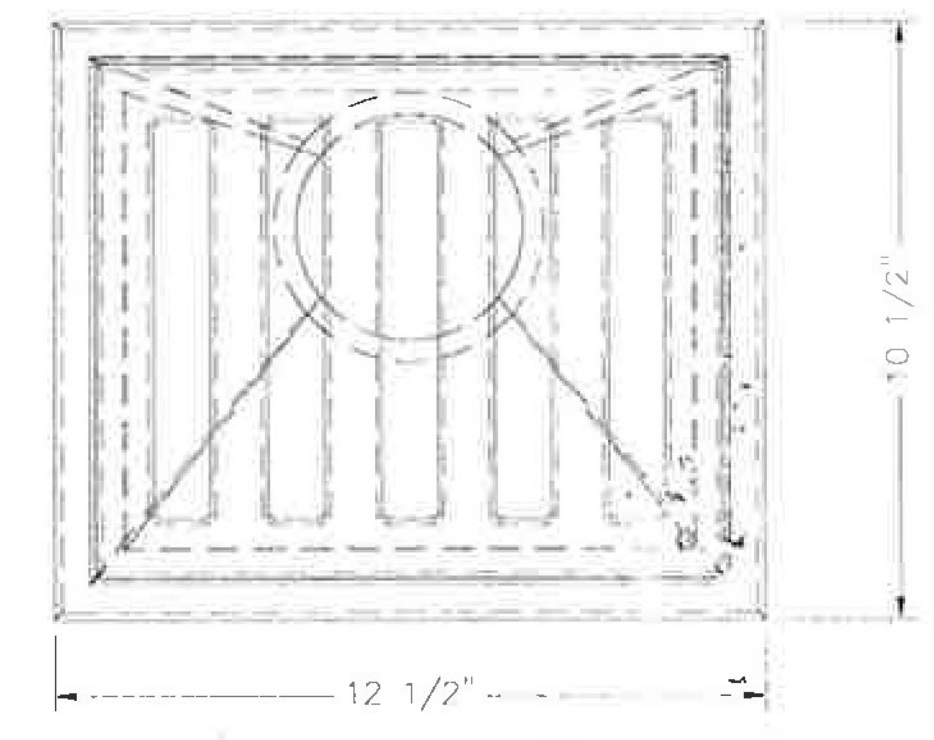
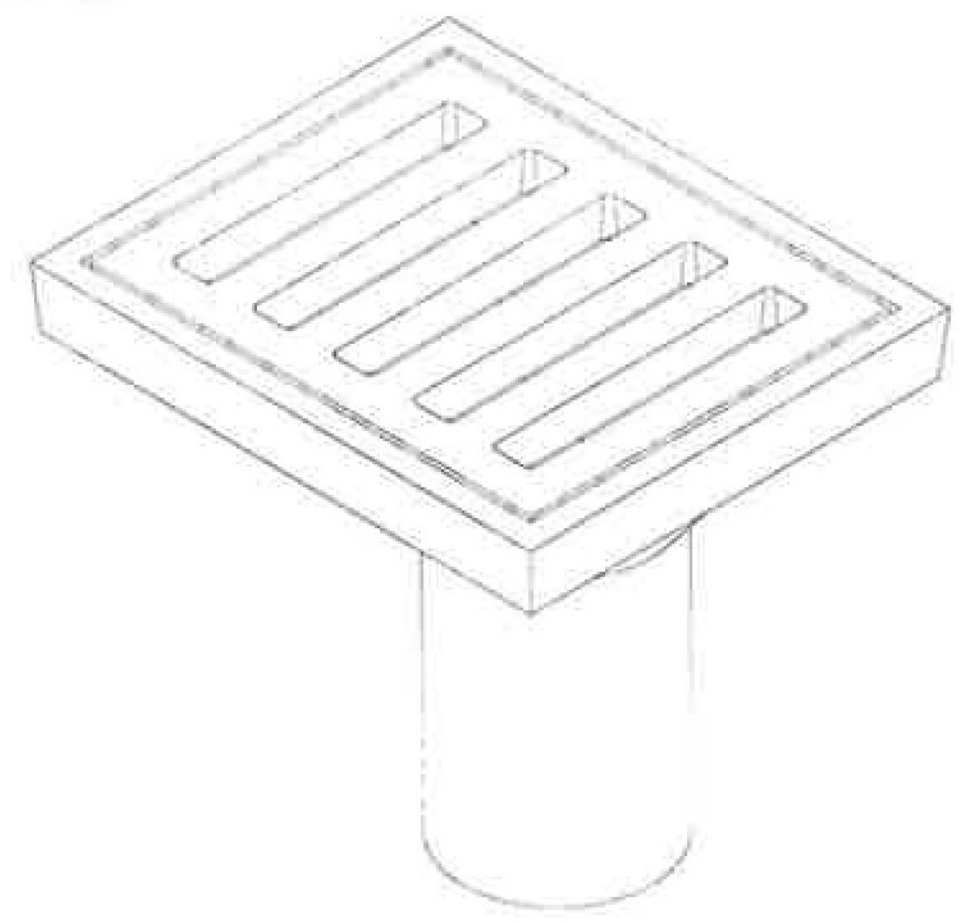


* Frame + Grate will be galvanized *
 Eric SDI 2/17/15

Requires
 Galvanizing
 per note on
 plan sheet
 #28



Vermont Agency of Transportation

RECEIVED

CK'D BY D. PETERSON OK'D BY C. CARLSON

February 17, 2015

RESUBMIT NO Approved
 BY C. CARLSON DATE 02/17/2015

COMPONENT NOS.: SCUPPER 4015-0001, CRATE 4015-0002
 MATERIAL: CAST GRAY IRON ASTM A-48, CLASS 35B
 FINISH: NO PAINT UNLESS SPECIFIED ON PURCHASE ORDER
 WEIGHT: SCUPPER 42#, CRATE 13#

DRW	RKB	SCALE	1/4" = 1"	TITLE	R-4015-A
CHK					ROADWAY DRAIN
DATE	07-24-2009	DRW	DRK	NEENAH FOUNDRY	NF- 1015 400 B
www.neenahfoundry.com		PHONE: 1-800-558-5075			