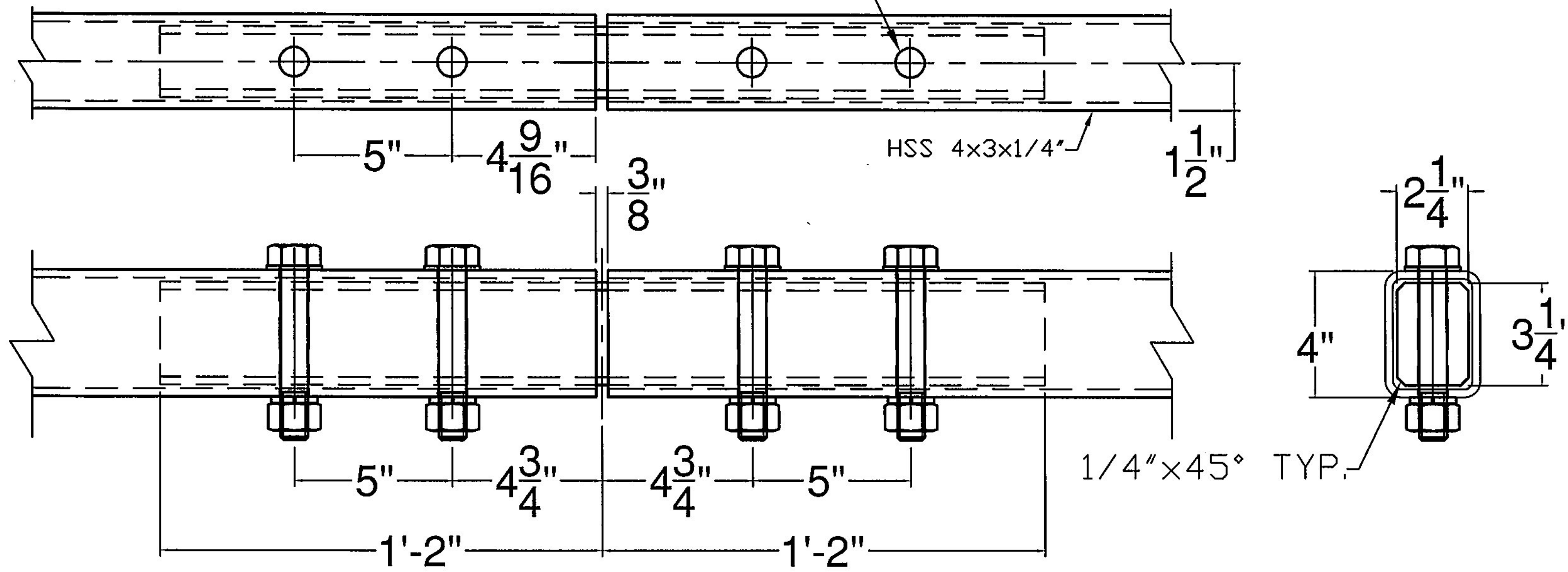


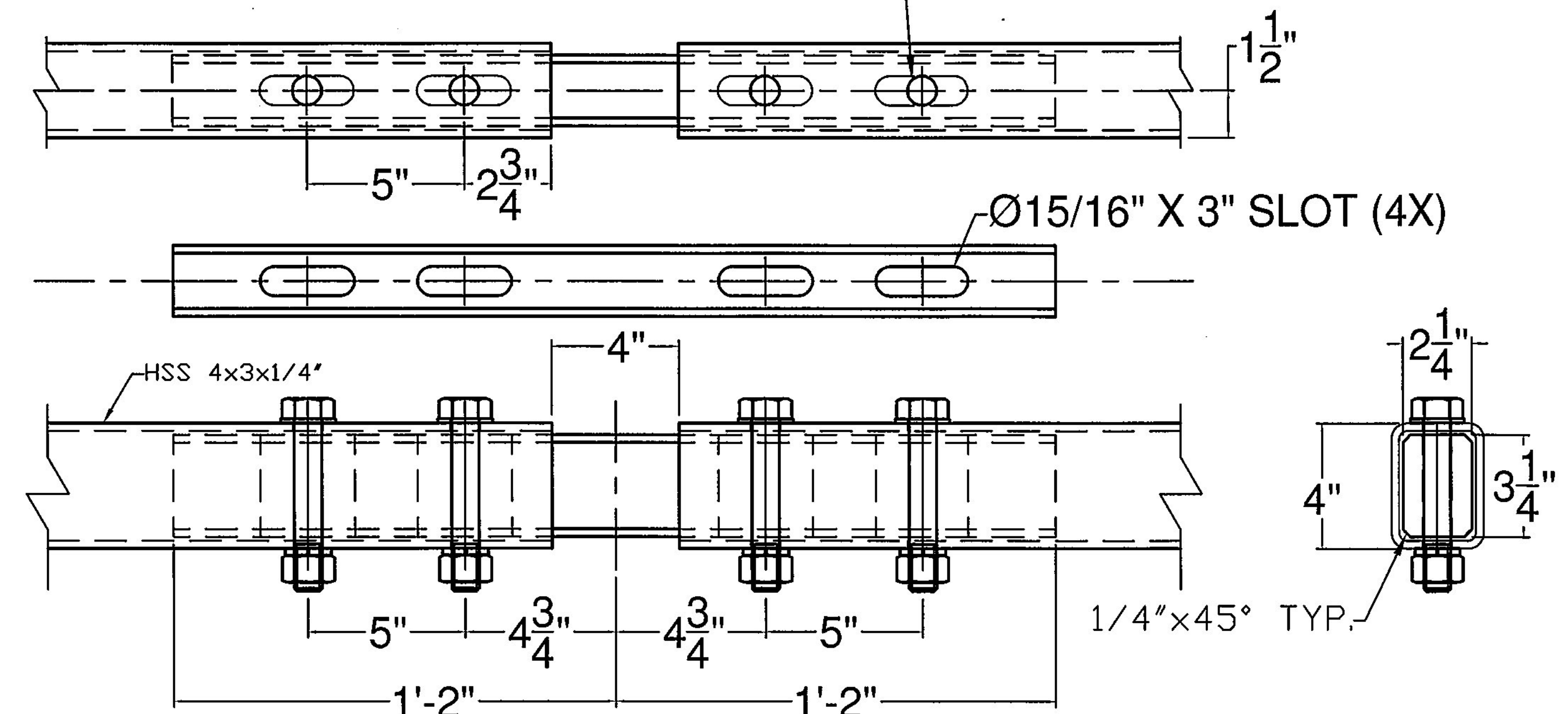
Ø15/16" THRU TUBE & SPLICE BAR,  
 Ø7/8"X5 1/2" HEX BOLT & NUT,  
 W/ (1) PLAIN HARDENED WASHER &  
 (1) LOCK WASHER (4 PLACES)

TOP RAIL FIXED SPLICE DETAIL



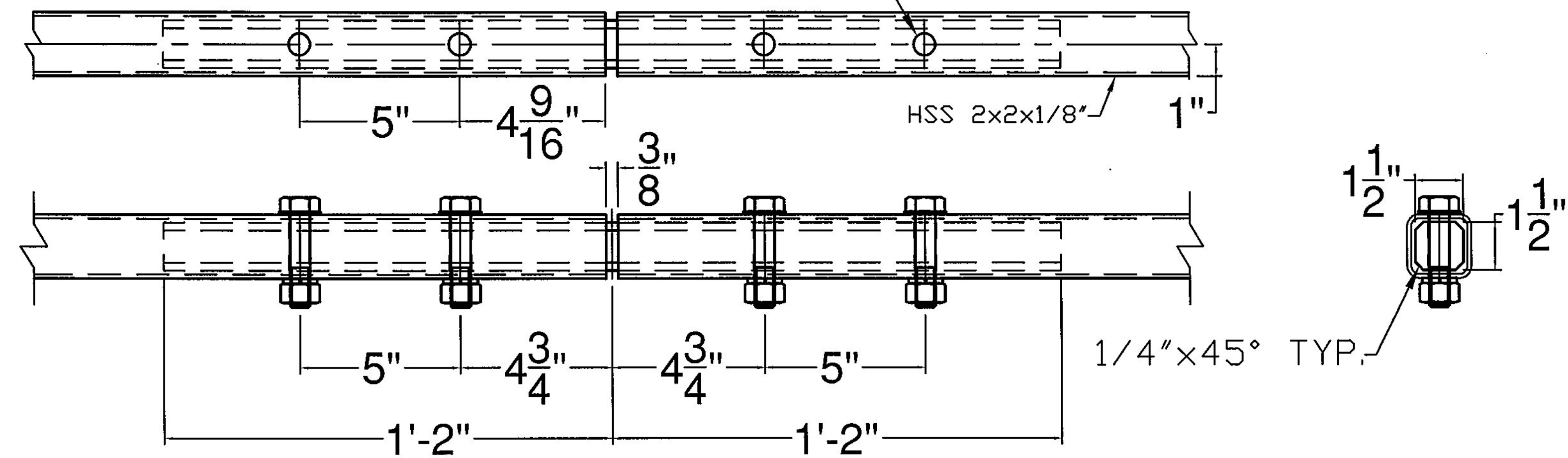
Ø15/16" THRU TUBE & Ø15/16" X 3" SLOT THRU SPLICE BAR, Ø7/8"X5 1/2" HEX BOLT & NUT, W/ (1) PLAIN HARDENED WASHER & (1) LOCK WASHER (4 PLACES)

TOP RAIL EXPANSION SPLICE DETAIL



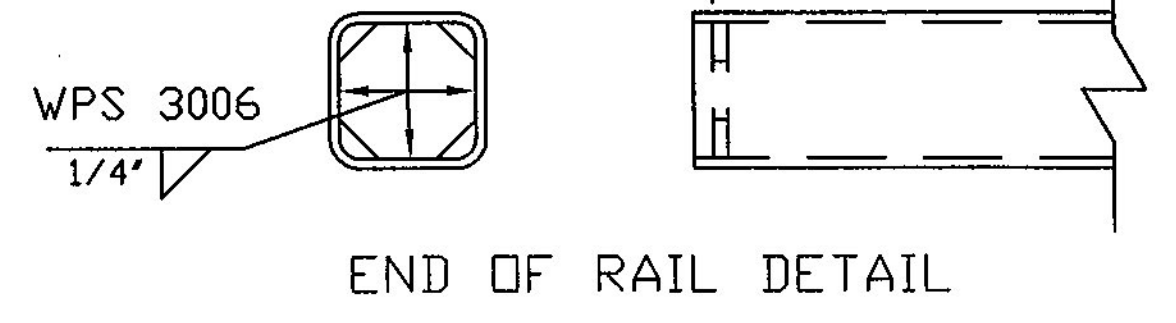
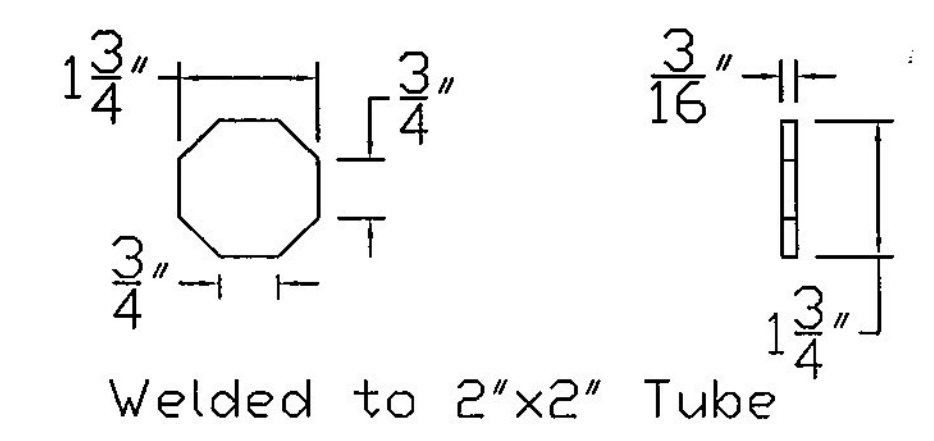
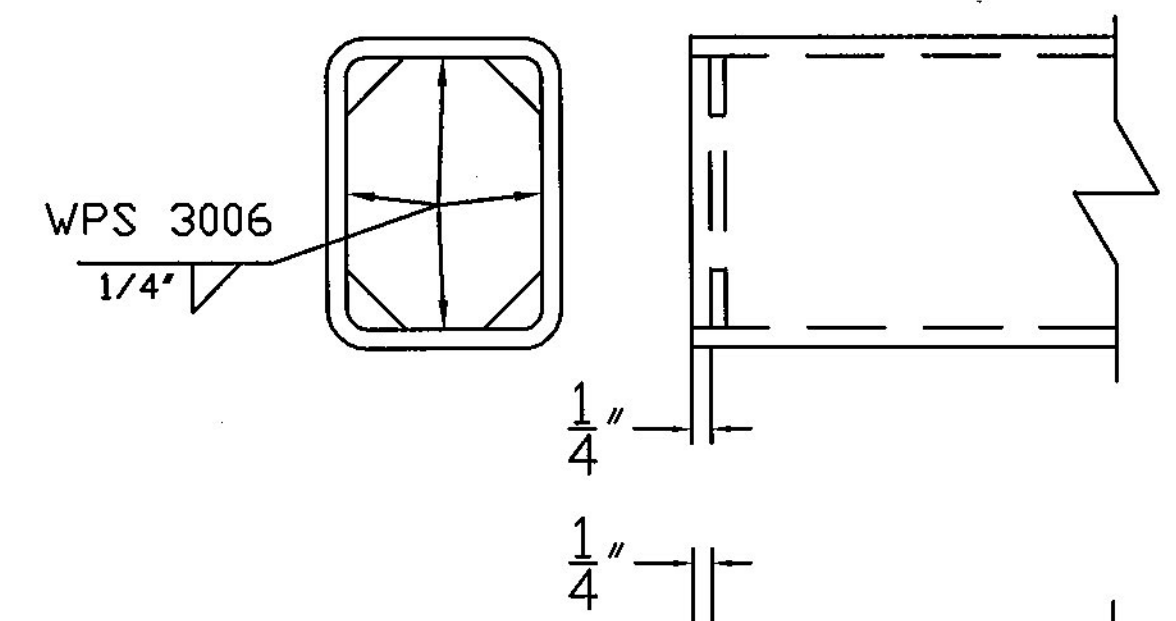
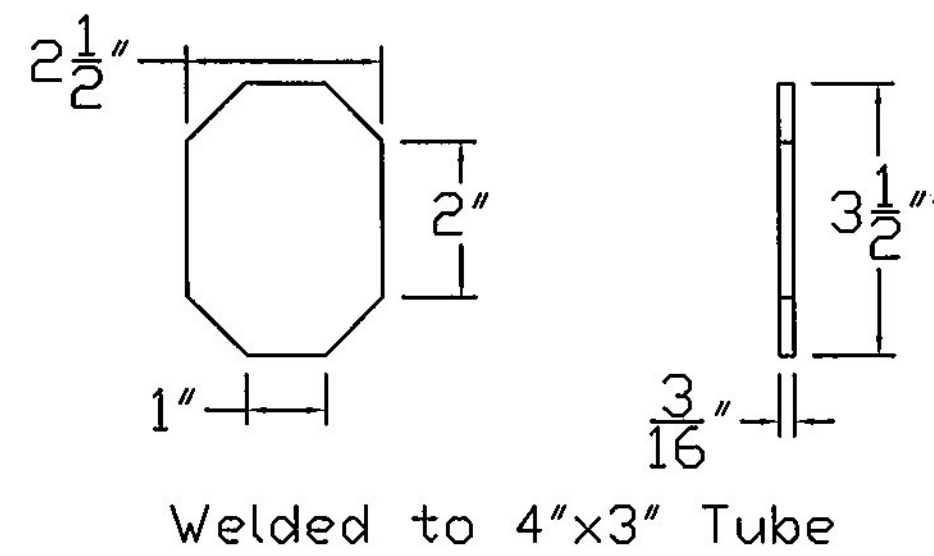
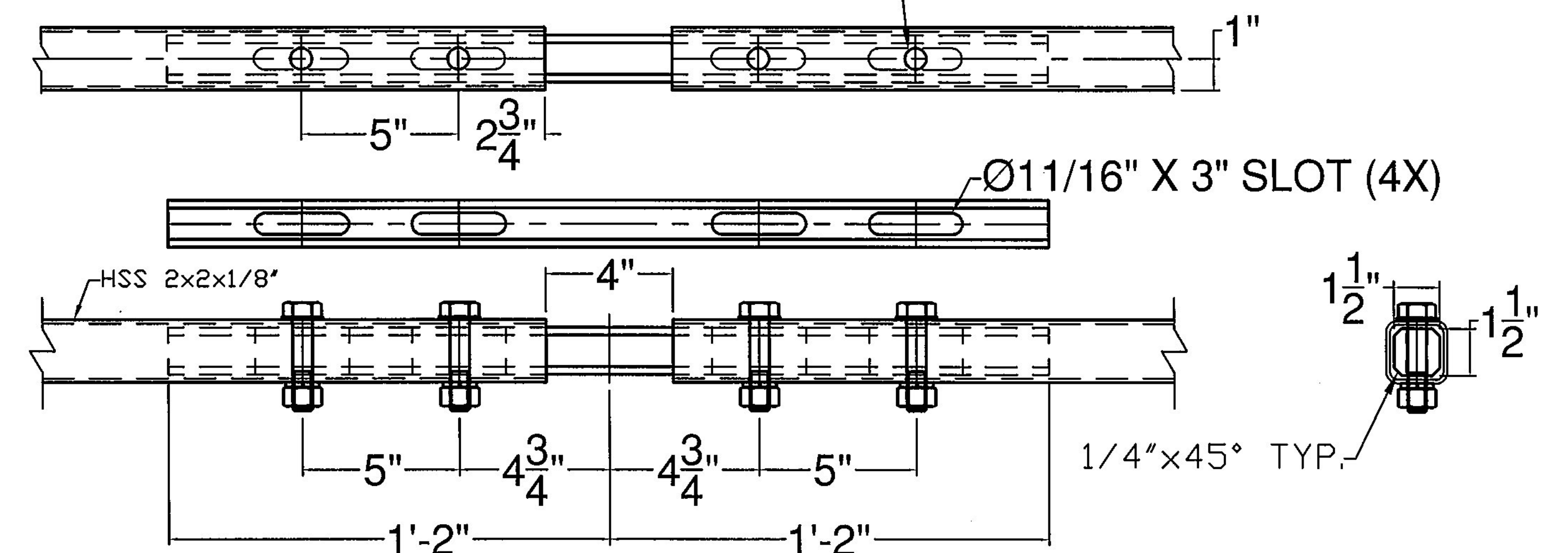
Ø11/16" THRU TUBE & SPLICE BAR,  
 Ø5/8"X3" HEX BOLT & NUT,  
 W/ (1) PLAIN HARDENED WASHER &  
 (1) LOCK WASHER (4 PLACES)

BOTTOM RAIL FIXED SPLICE DETAIL



Ø11/16" THRU TUBE & Ø11/16" X 3" SLOT THRU SPLICE BAR, Ø5/8"X3" HEX BOLT & NUT, W/ (1) PLAIN HARDENED WASHER & (1) LOCK WASHER (4 PLACES)

BOTTOM RAIL EXPANSION SPLICE DETAIL



Vermont Agency of Transportation  
**RECEIVED**  
 CK'D BY D. PETERSON OK'D BY C. CARLSON  
 March 6, 2015  
 RESUBMIT NO Approved  
 BY C. CARLSON DATE 03/09/2015

ITEM #: 525.45

SHEET 2 OF 3

STRUCTURAL STEEL TO COMPLY W/ ASTM A6  
 TOLERANCE UNLESS OTHERWISE NOTED:  
 FRACTIONS = ± 1/16"  
 ANGLES = ± 1/2"  
 DIAMETERS = ± 1/32"

BRIDGE RAIL DETAILS SHEET				PROJECT: STOWE BRIDGE 0235 (11), VT. RT. 108, MAJOR COLLECTOR, BRIDGE #2 TOWN OF STOWE, LAMOILLE COUNTY			
R NO.	DATE	DESCRIPTION	BY	R NO.	DATE	DESCRIPTION	BY
E 1	3/5/15	ADDED END OF RAIL DETAIL	E.P.				
ELDERLEE, INC. OAKS CORNERS, NEW YORK 14518 E-Mail: dlong@elderlee.com / epeek@elderlee.com Tel: 315-789-6670 Fax: 315-789-6615				DRAWN E.P. 1/13/15 CHECKED D.L. 1/15/15 APPROVED SCALE SCHEMATIC DRAWING NO. FRL - STOWE			