

Vermont Agency of Transportation

RECEIVED

CK'D BY D. PETERSON OK'D BY C. CARLSON

January 20, 2015

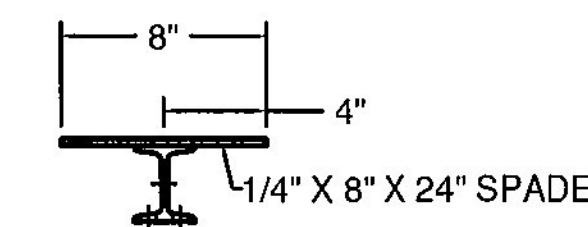
RESUBMIT NO Approved

BY C. CARLSON DATE 01/23/2015

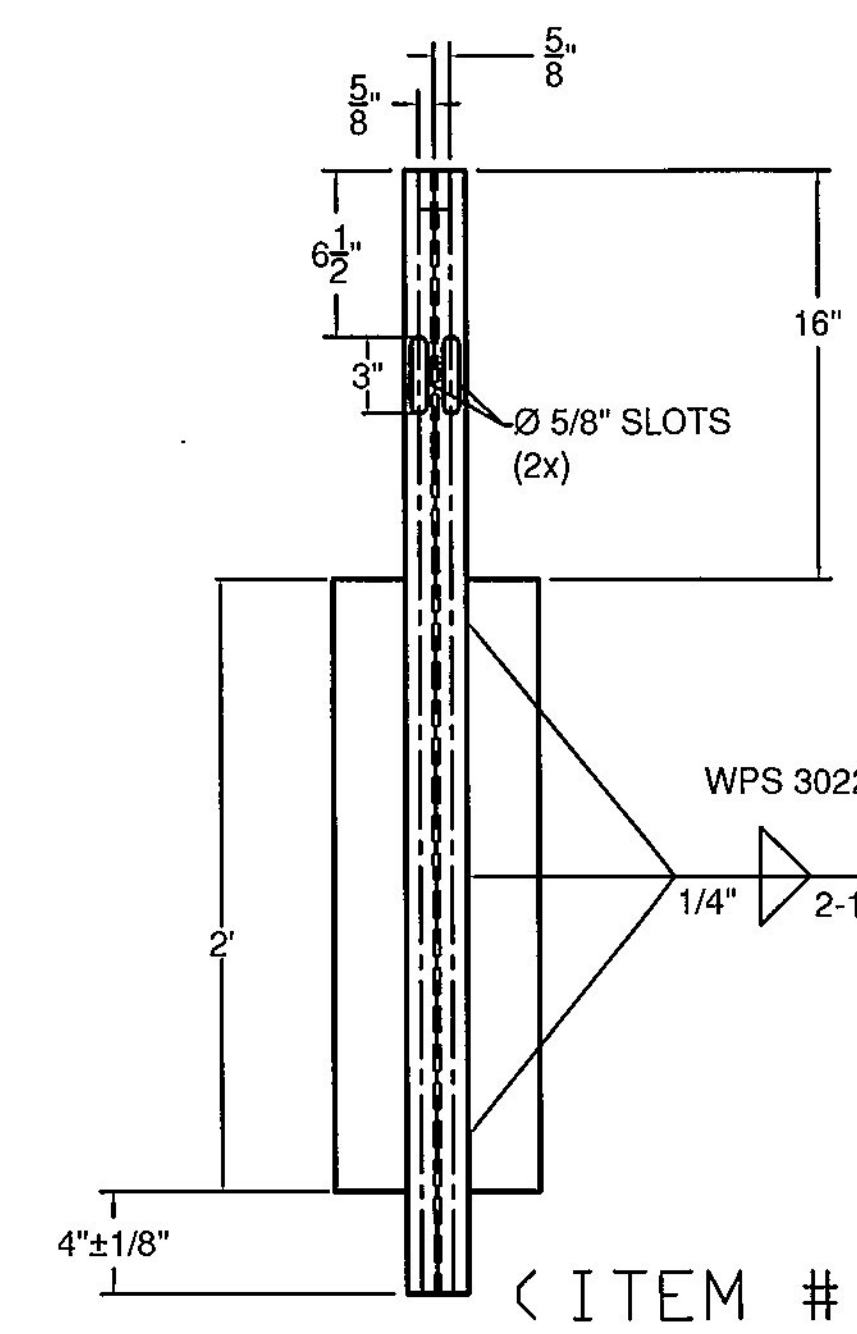
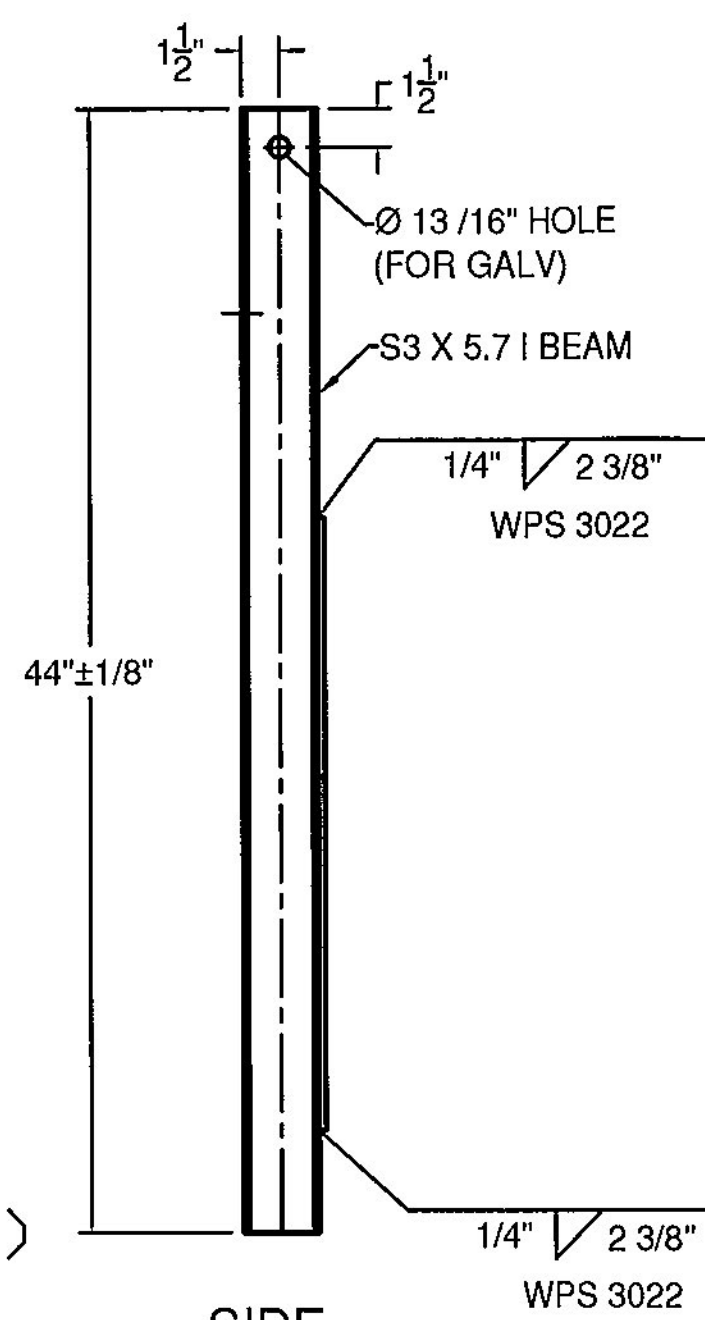
0054.01001 w/16 degree miter

6"x6"x $\frac{3}{16}$ " BB
@ 14'-1" w/Partial
Radius

PLAN VIEW



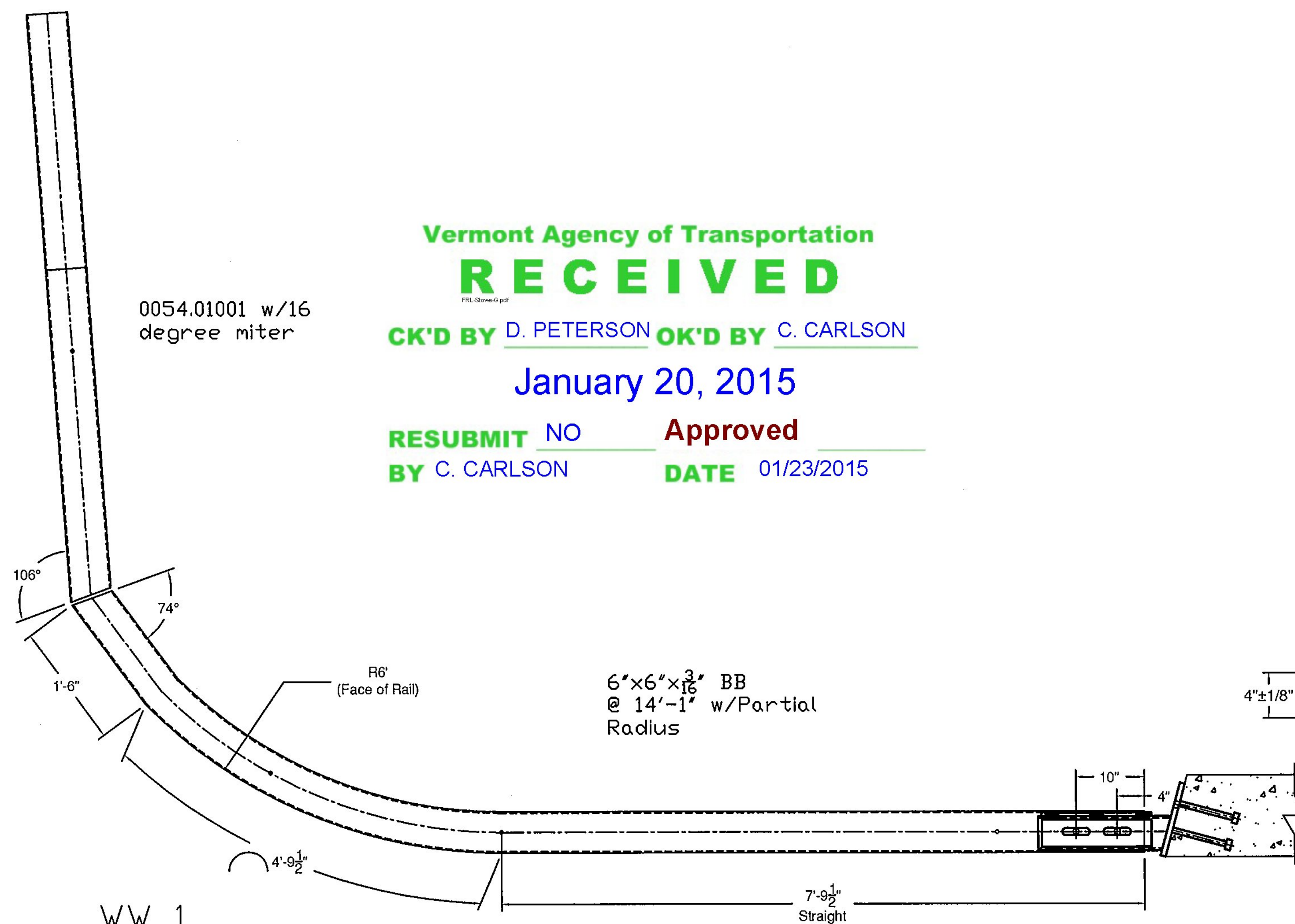
END POST DETAIL



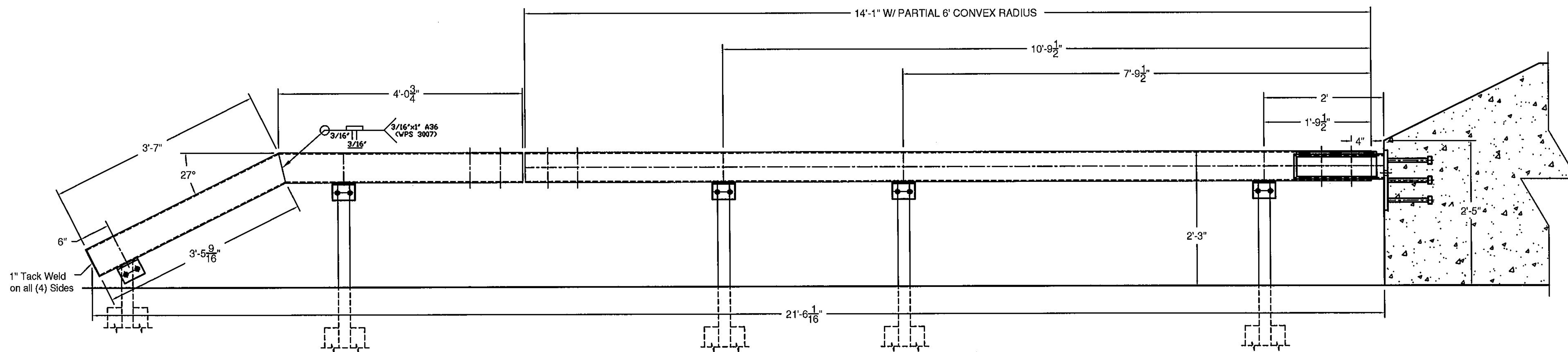
FRONT

SIDE

(ITEM # 4)



W W 1



ITEM #: 621.30

SHEET 2 OF 2

STRUCTURAL STEEL TO COMPLY W/ ASTM A6

TOLERANCE UNLESS OTHERWISE NOTED:
FRACTIONS = $\pm 1/16$ "
ANGLES = $\pm 1/2$ "
DIAMETERS = $\pm 1/32$ "

BOX BEAM GUIDE RAIL

PROJECT: STOWE BRIDGE 0235 (11), VT. RT. 108, MAJOR COLLECTOR, BRIDGE #2
TOWN OF STOWE, LAMOILLE COUNTY

R	NO.	DATE	DESCRIPTION	BY	R	NO.	DATE	DESCRIPTION	BY
E					E				
V					V				

DRAWN	E.P.	1/13/15
CHECKED	D.L.	1/15/15
APPROVED		
SCALE	SCHEMATIC	
DRAWING NO.	FR L - STOWE-BB	



ELDERLEE, INC.

OAKS CORNERS, NEW YORK 14518
E-Mail: dlong@elderlee.com / epeek@elderlee.com
Tel: 315-789-6670 Fax: 315-789-6615



CERTIFIED FABRICATOR
DRAWN E.P. 1/13/15
CHECKED D.L. 1/15/15
APPROVED
SCALE SCHEMATIC
DRAWING NO. FR L - STOWE-BB