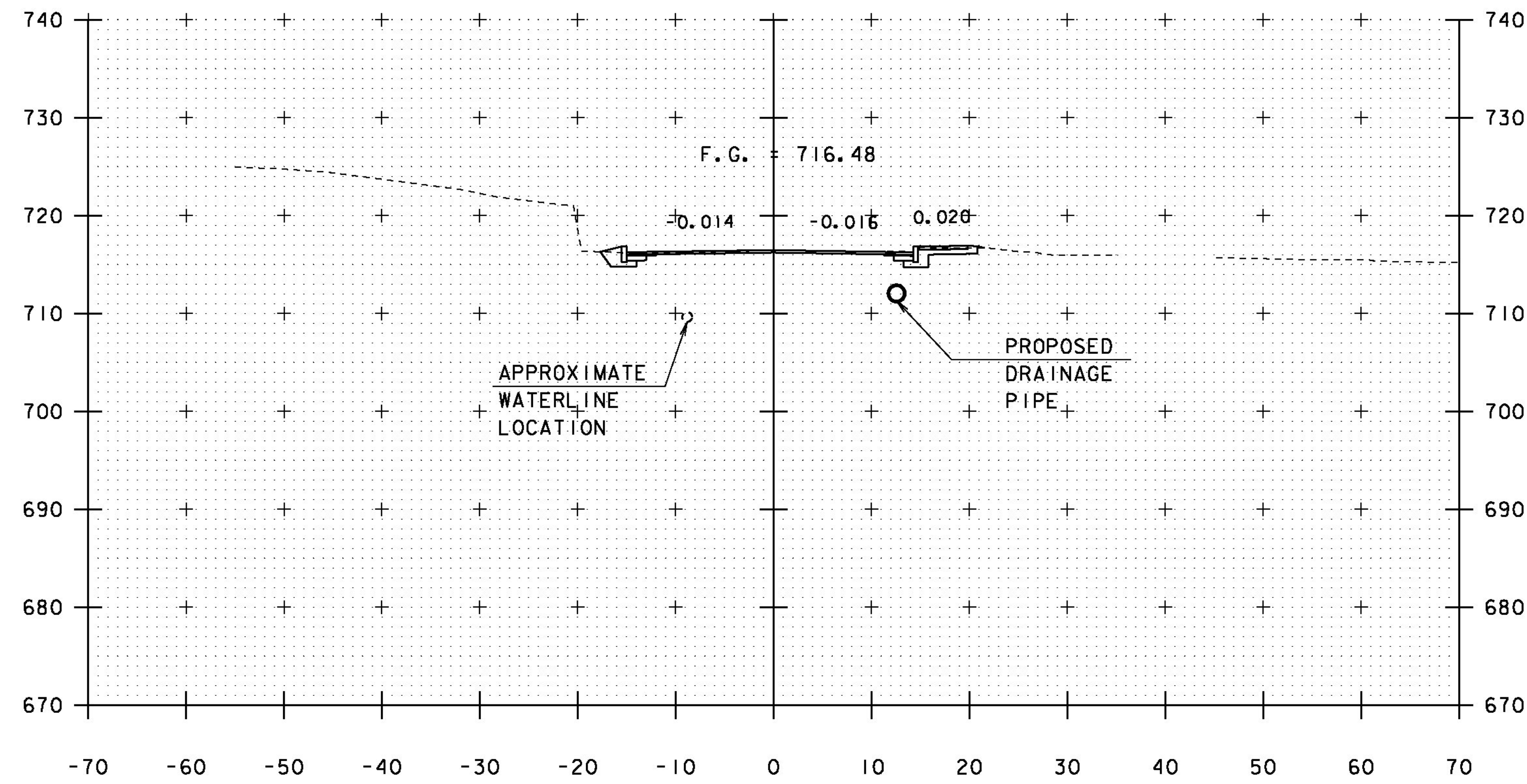
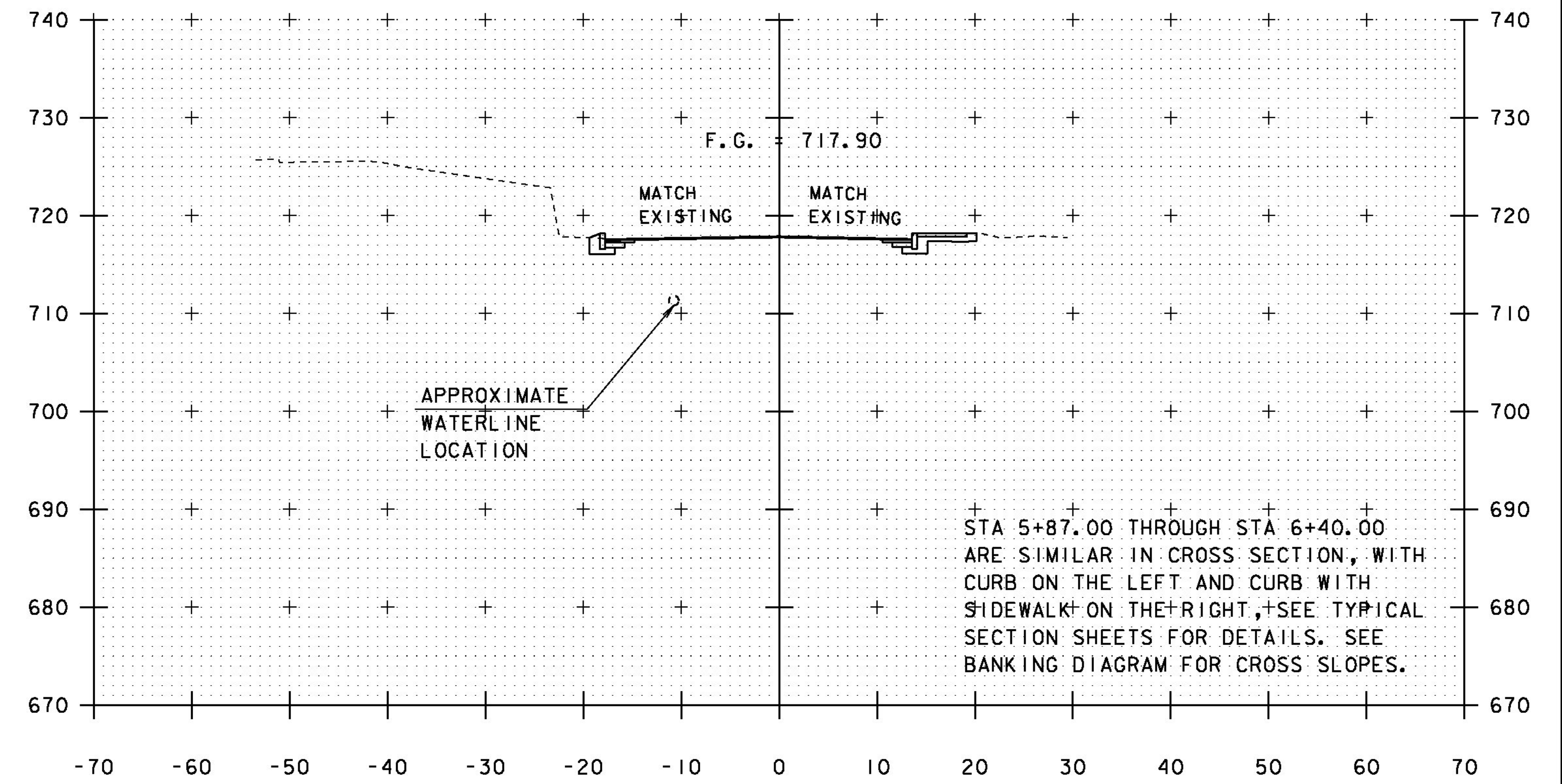


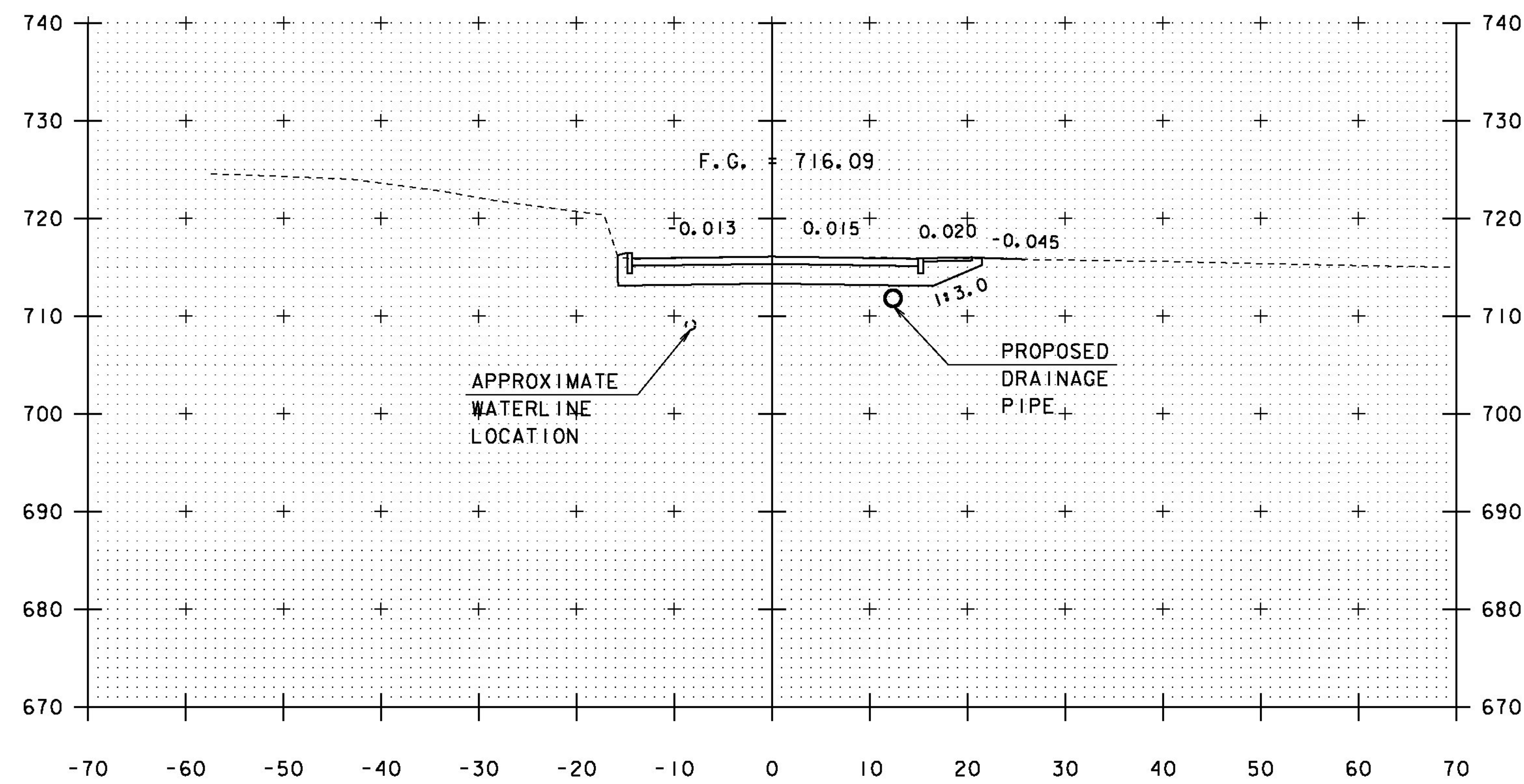
END APPROACH STA 6+40.00



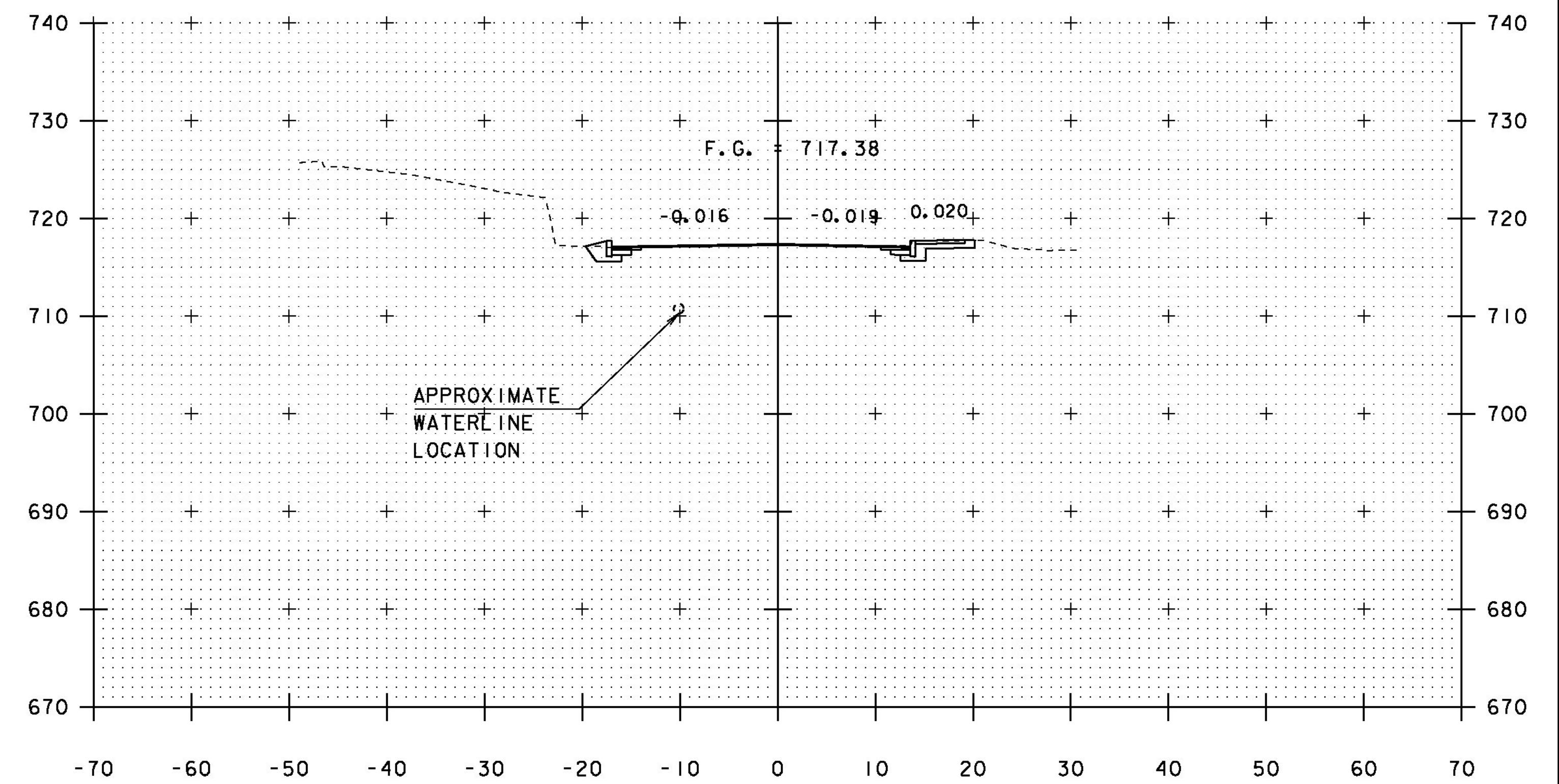
5+50



5+87



5+37



5+75

STA. 5+37 TO STA. 5+87

PROJECT NAME:	STOWE	FILE NAME:	s87e052xsl.dgn	PLOT DATE:	28-JUL-2014
PROJECT NUMBER:	BRF 0235 (11)	PROJECT LEADER:	C. CARLSON	DRAWN BY:	M. LONGSTREET
		DESIGNED BY:	D. PETERSON	CHECKED BY:	J. LACROIX
			VT 108 CROSS SECTIONS SHEET 5		SHEET 50 OF 64