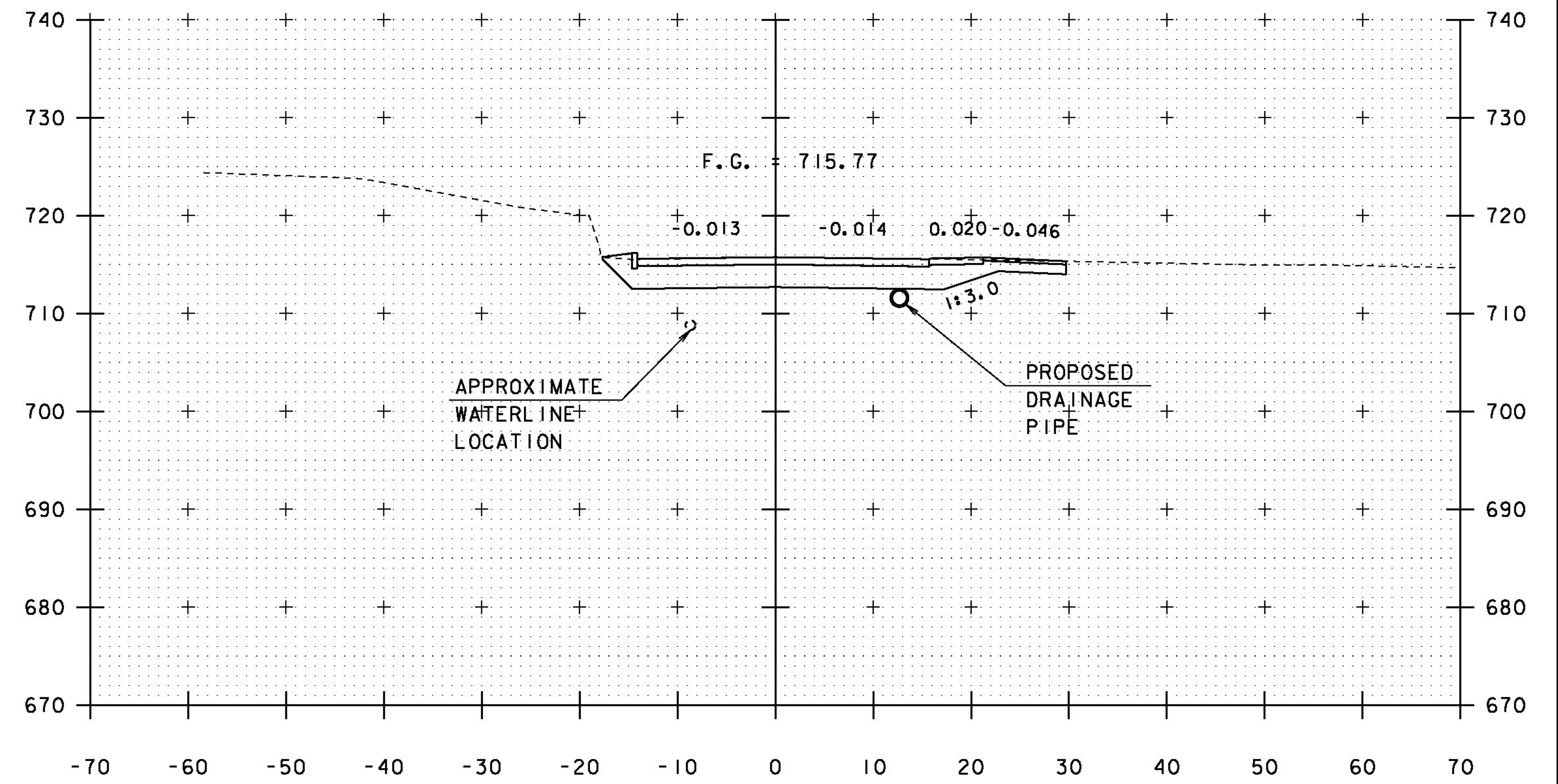
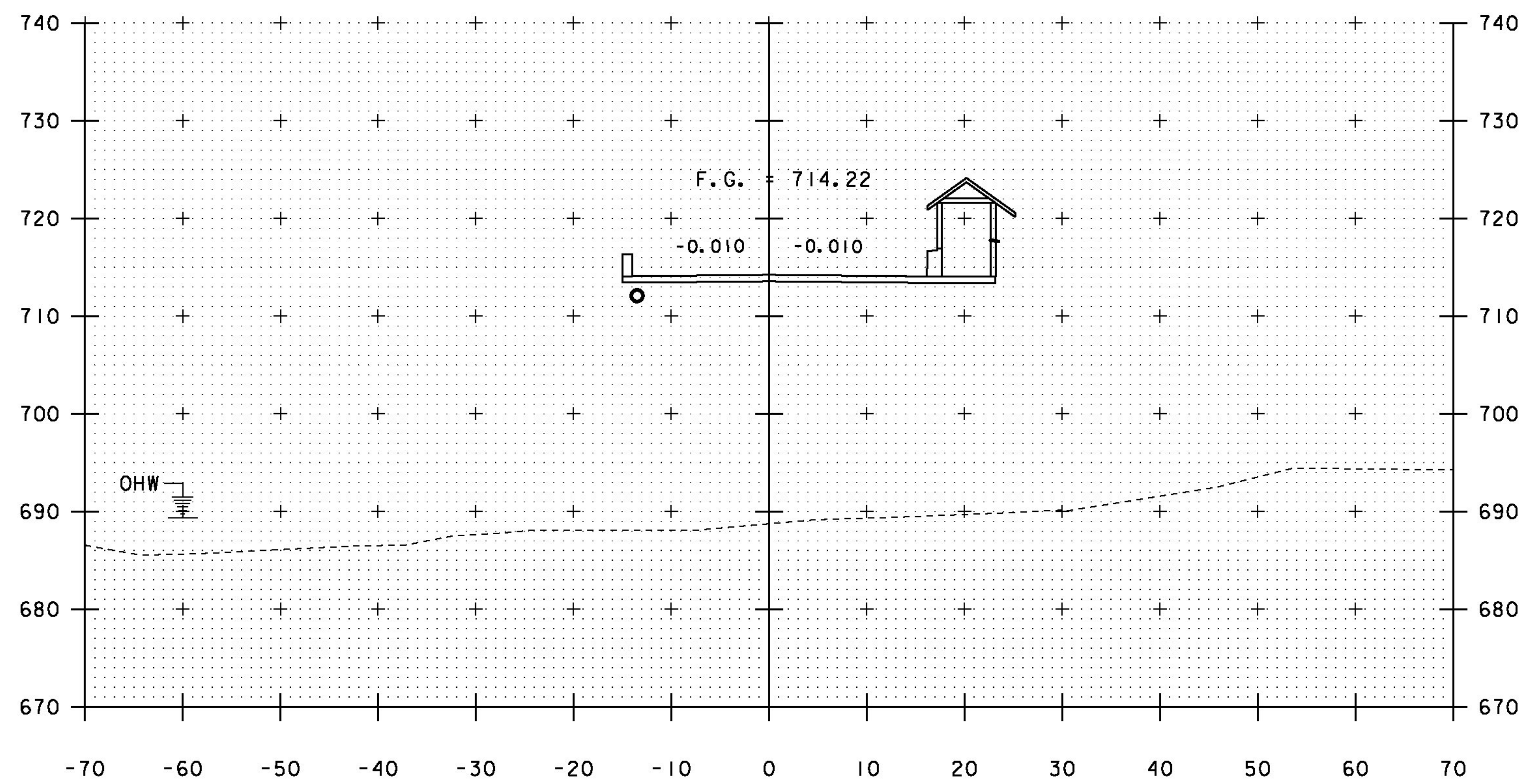


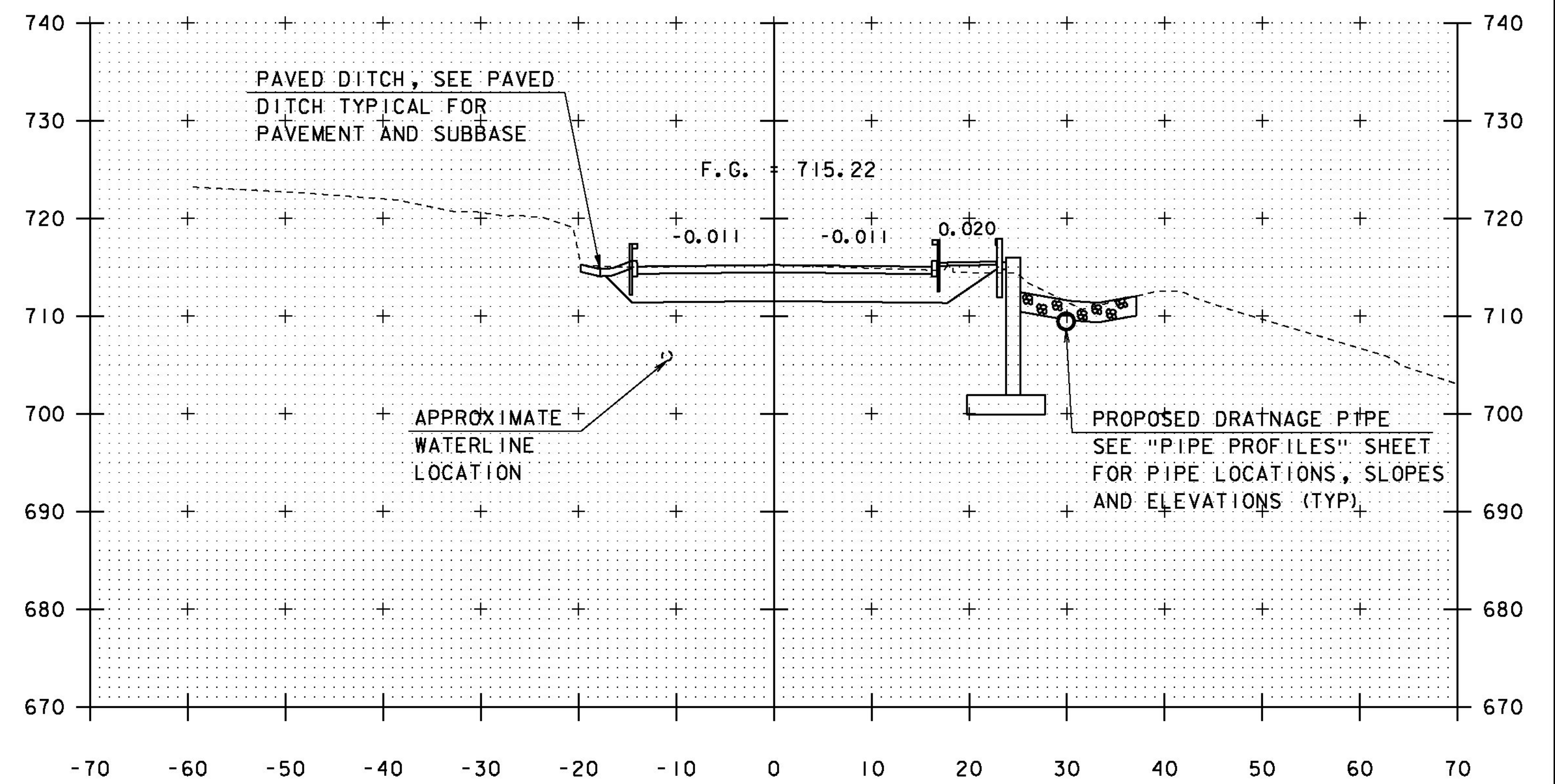
4+75



5+25



4+50



END BRIDGE/PROJECT
STA 4+78.78

PROJECT NAME:	STOWE
PROJECT NUMBER:	BRF 0235 (II)
FILE NAME: s87e052xsl.dgn	PLOT DATE: 28-JUL-2014
PROJECT LEADER: C. CARLSON	DRAWN BY: M. LONGSTREET
DESIGNED BY: D. PETERSON	CHECKED BY: J. LACROIX
VT 108 CROSS SECTIONS SHEET 4	SHEET 49 OF 64

STA. 4+50 TO STA. 5+25